

ETNA

eralux®

OUTDOOR LED LIGHT

Semi Cut-off Wall Pack | Power & CCT Switchable

The ETNA is a classic wall pack reimagined with cutting-edge LED technology. Delivering up to 120 Lm/W a range of power and CCT settings, with switchable capabilities to adjust both CCT and power as desired. Built with a heavy-duty die-cast aluminum housing, the ETNA is fully sealed to resist dirt and withstand the toughest outdoor conditions.

Applications: Alleyway | Garage door | Parking space | Underpass

	DATE	QTY	ACC. QTY	TYPE
PROJECT				
PN				
ACCESSORY PN				
NOTES				




DYNAMIC MENU

Order Information	Page 2
Dimensions	Page 2
Accessories	Page 3
Photometric Data	Page 4

[Install Instruction link](#)

SPECIFICATIONS

Input Voltage	120-347V
Power Factor	>0.9
Total Harmonic Distortion	<20%
Dimming	0-10V dimming
CRI	70 CRI
CCT	<div style="display: flex; gap: 10px;"> <div style="border: 1px solid black; border-radius: 50%; width: 20px; height: 20px; background-color: #fff9c4; display: flex; align-items: center; justify-content: center;">30K</div> <div style="border: 1px solid black; border-radius: 50%; width: 20px; height: 20px; background-color: #bbdefb; display: flex; align-items: center; justify-content: center;">40K</div> <div style="border: 1px solid black; border-radius: 50%; width: 20px; height: 20px; background-color: #e1bee7; display: flex; align-items: center; justify-content: center;">50K</div> </div>
Efficacy	~120 lm/W
Power	40/50/60W 80/100/120W
Ambient Temperature Range	-40°C to 45°C
Mounting Options	Surface Mount Wall Mount
Fixture Finish	Black White Bronze 
Controls	Integrated Photocell EM Backup with exterior junction box
Protection	IP65; water and dust resistance IK08; impact resistance
Distribution	70°x110°
Lens	Polycarbonate Lens



PRODUCT FEATURES



PRODUCT CERTIFICATIONS



Design Lights Consortium® (DLC) qualified product. Not all versions of this product may be DLC qualified. Please check the DLC Qualified Products List at www.designlights.org/QPL to confirm which versions are qualified" [page 6](#)

SYSTEM WARRANTY – 5 YEARS

Eralux will warrant defective drivers, LEDs and boards for 5 years from the date of purchase. This warranty is valid only if the fixture is installed and used as per installation guides and specifications. If a defect is present, Eralux will send drivers and boards at no fee with a thorough replacement instructions along with instructions on the return of the defective parts back to Eralux.

LUMEN MAINTENANCE – L85 at 50,000 hours

Rated for 85% initial lumen output at 50,000 hours of operation, operated at 25°C ambient temperature; per guidelines published by the Illuminating Engineering Society (IES).

OUTDOOR LED LIGHT

Semi Cut-off Wall Pack | Power & CCT Switchable

ORDERING GUIDE

AE-WP-ET		-TCP	-CA		
AE-WP-ET ERALUX ETNA Wall Pack	-60W 60/50/40W 7,200/6,000/4,800 lm	-TCP 30/40/50K Switchable	-CA 120-347V	-D 0-10V -EM Emergency Battery	-BK Black -BZ Bronze -WH White
	-120W 120/100/80W 14,440/12,000/9,600 lm				
Fixture Family	Power	Voltage	Control	CCT	Finish

NOTES

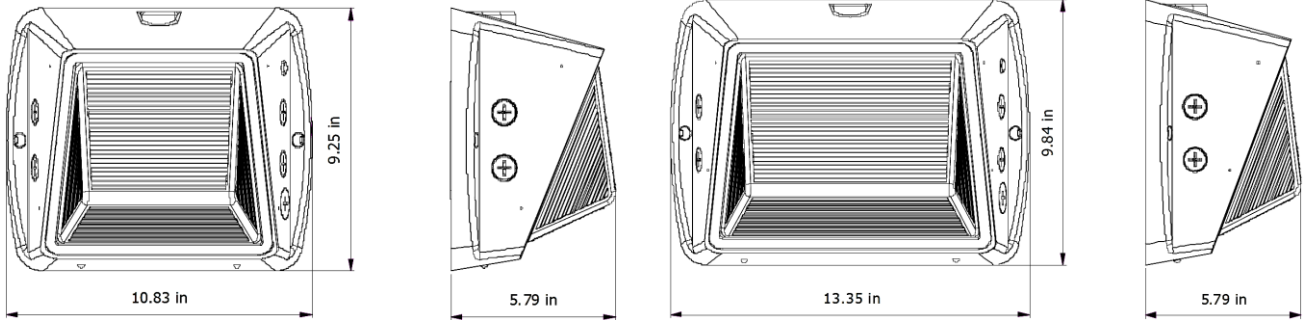
- Emergency Battery backup 15/20W
- The Emergency Battery is not integrated in the fixture ; an exterior junction box is supplied with the battery
- Integrated Photocell; can be switched on/off on field upon desire.

DIMENSIONS

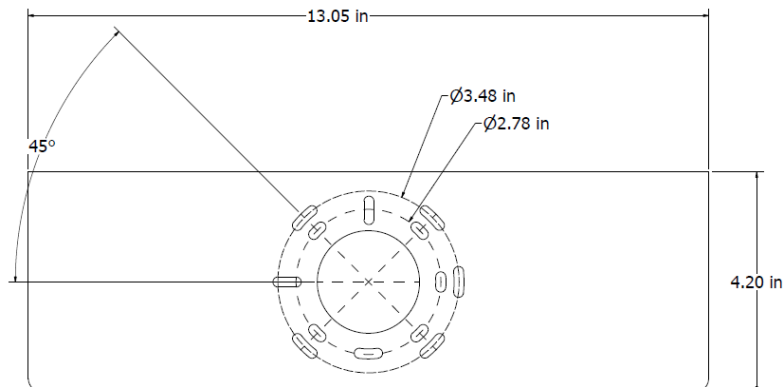
AE-WP-ET-XXW-TCP-CA-X-XX

-60W

-120W



Back Plate Installation



OUTDOOR LED LIGHT

Semi Cut-off Wall Pack | Power & CCT Switchable

CONTROLS

EMERGENCY LED DRIVER

BLD-HM15D-YYY

BLD-HM20D-YYY



SPECIFICATION	
Input Voltage	100-347Vac
Power Frequency	50/60HZ
Output Voltage	170V DC
Ambient Temperature	0°C to 50°C
	30°F to 122°F
Output Power	15W Used for Etna 60W
	20W Used for Etna 120W
Installation	Remote with exterior junction Box

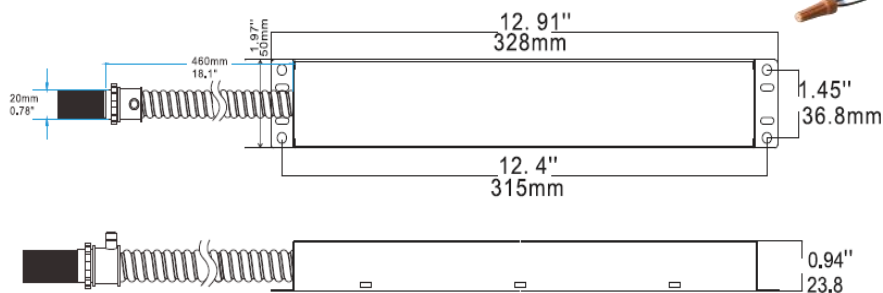
The BLD-HMXXD-YYY series LED Emergency Driver is UL listed for field and factory installations. It switches to emergency mode during power failures, providing up to 90 minutes of lighting. With an integrated battery, charger, and converter, it delivers 6-25W constant power at 170VDC. Ideal for 0-10V dimmable indoor commercial LED fixtures, such as flat panels, troffers, downlights, and linear strip lights.



NOTES

The exterior junction box is wall mounted close to the fixture

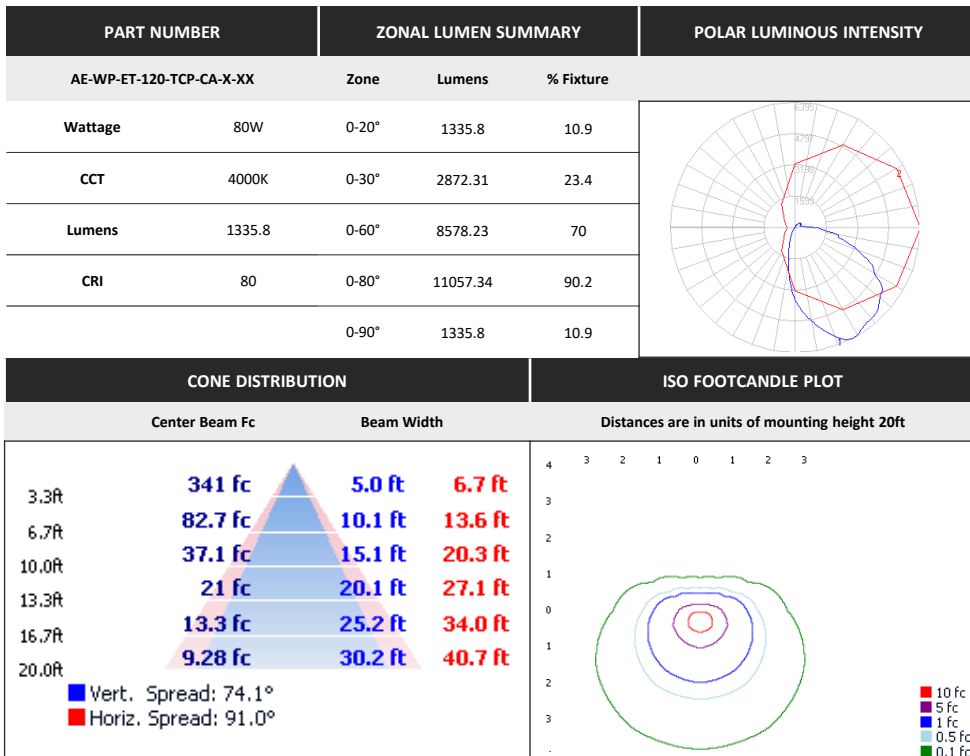
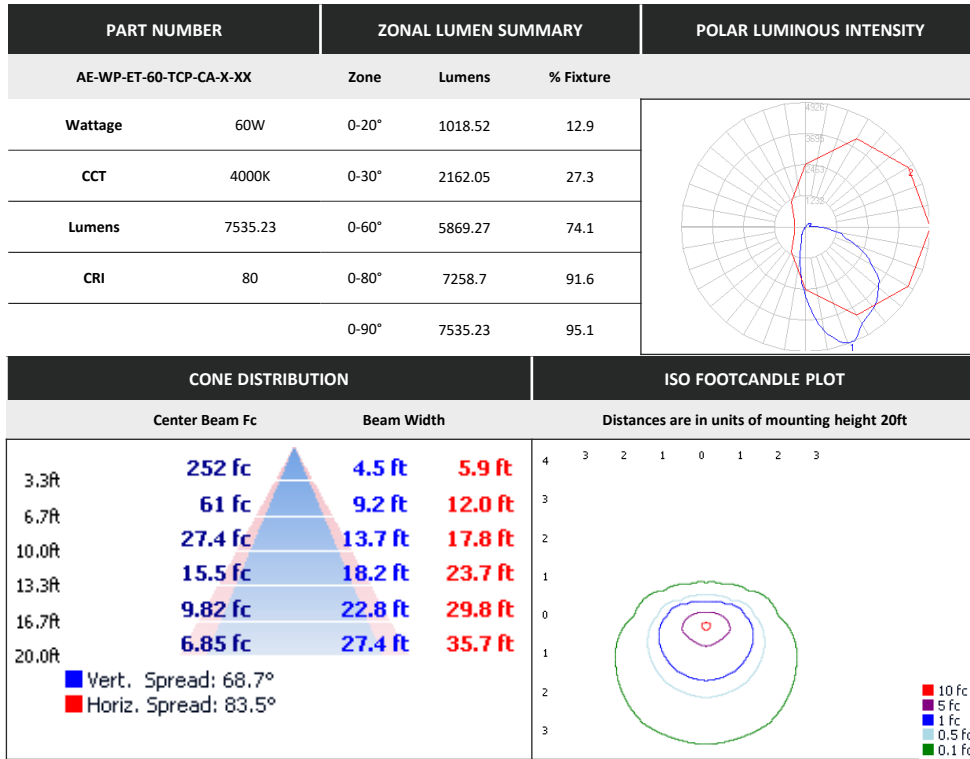
DIMENSIONS



OUTDOOR LED LIGHT

Semi Cut-off Wall Pack | Power & CCT Switchable

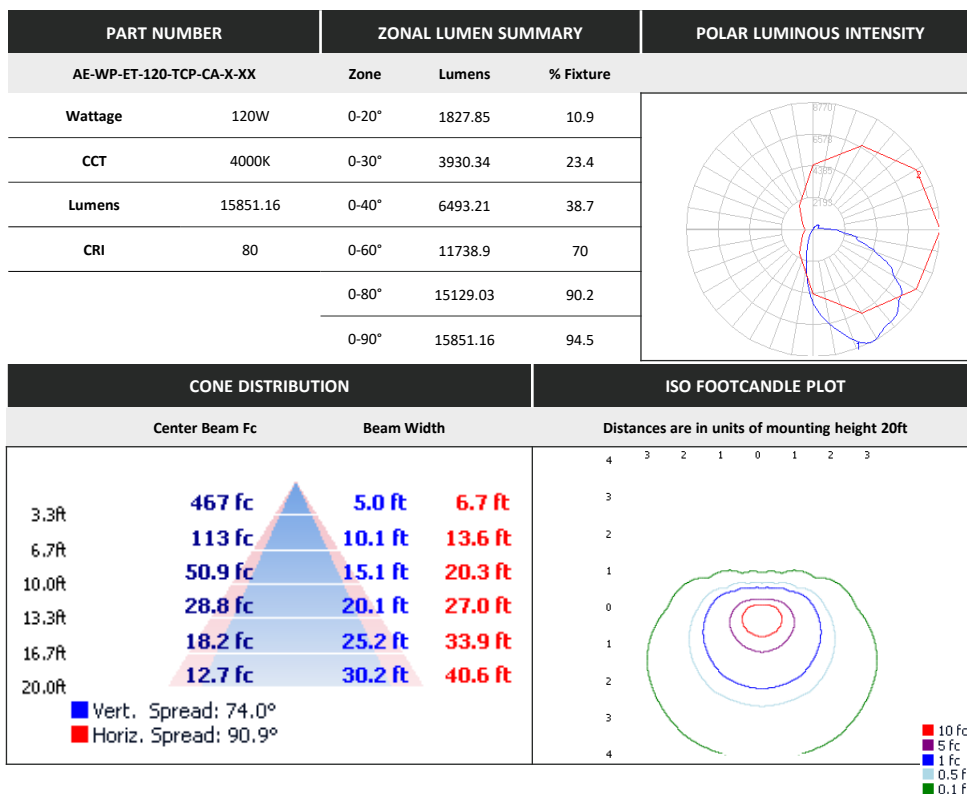
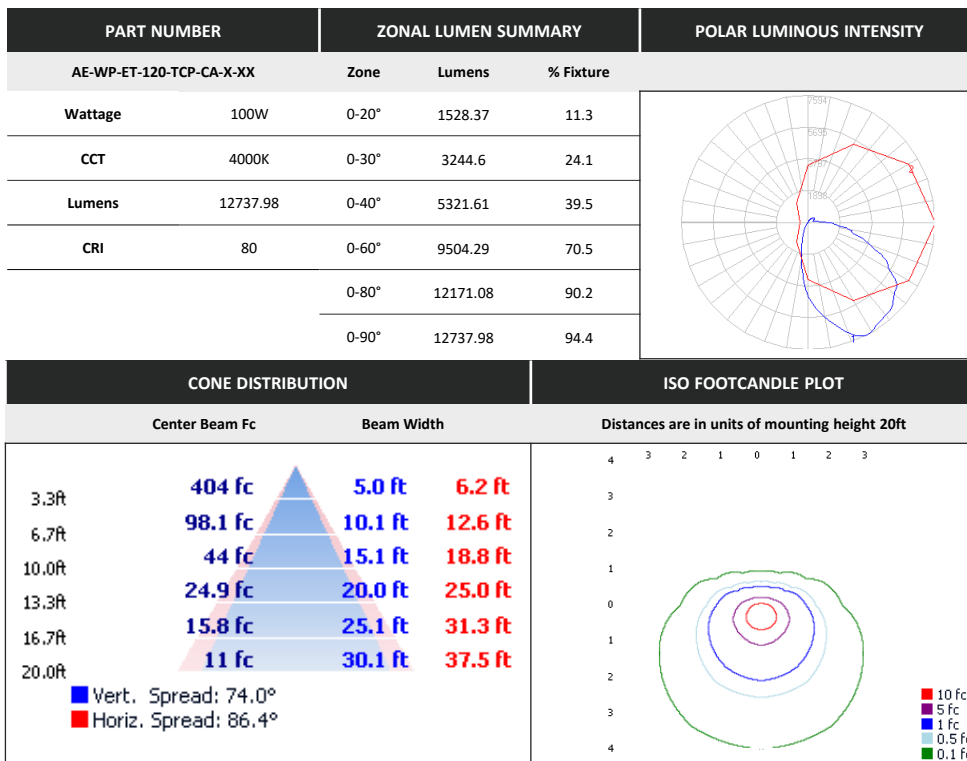
PHOTOMETRIC DATA



OUTDOOR LED LIGHT

Semi Cut-off Wall Pack | Power & CCT Switchable

PHOTOMETRIC DATA



OVERVIEW



Innovative Design

- Aluminum die cast housing and fins for better heat dissipation
- Highly robust polycarbonate and high transmittance lens.
- Poly Carbonate Lens



Protection



- Protected against dust ingress.
- Protected against water jets
- Impact resistant



Accessories

- Emergency Battery Back up with exterior junction box
- Integrated photocell , can be switched on/off on field upon desire



Emergency backup battery

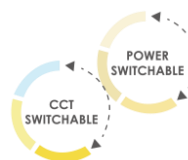


Integrated Photocell



Multiple Options

- CCT Switchable ; 30/40/50K
- Black, white & bronze finish
- Power Switchable ; 40/50/60W or 80/100/120W



Tests And Certifications



DLC MODEL	PRODUCT ID
AE-WP-ET-120W-TCP-CA[Blank,(PT),(MS)]-D-[BZ,BK,WH]	S-BXH31X
AE-WP-ET-60W-TCP-CA[Blank,(PT),(MS)]-D-[BZ,BK,WH]	S-TWX7ZR