

EXITA SERIES

EMERGENCY LIGHTING

EXITA-2408



eralux[®]



The thermoplastic housing in the EXITA-2408 series along with the acrylic panel provides for a stylish finish and comes standard with three possible mounting methods. It also comes with the interchangeable pictograms to provide the adaptability to various requirement in the field. The EXITA-2408 is the exit sign of choice for style.

DATE	
PROJECT NAME	
TYPE	
QTY	
ORDERING CODE	B2408U

OPERATING & ELECTRICAL

INPUT VOLTAGE 120-347 Vac

MAX INPUT CURRENT 17mA

PERFORMANCE

CCT 6500K

POWER CONSUMPTION 2.0 W

RUN TIME ON BATTERY 90 min

MECHANICAL & HOUSING

HOUSING UV Stabilized Thermoplastic

FINISH White

POWER SUPPLY Factory wired electronic LED driver

APPLICATION CONDITION

AMBIENT TEMPERATURE RANGE 0 °C to 40°C

COMPATIBLE MOUNTING

INSTALLATION Surface, Wall or End installation

WARRANTY

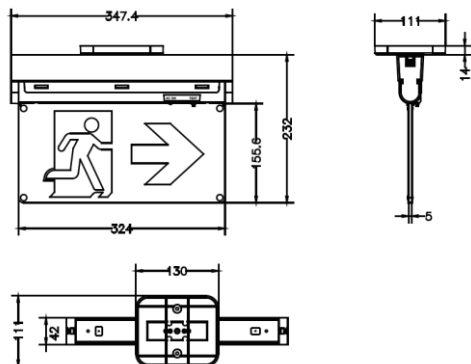
SYSTEM WARRANTY 2 years

RECOMMENDED BATTERY REPLACEMENT 2 years

APPROVALS

UL Certified to C22.2 #141-15

PRODUCT DIMENSIONS



ORDERING CODE

B2408U

FIXTURE FAMILY

B2408U
ERALUX emergency exit sign



EXITA SERIES

EMERGENCY LIGHTING

EXITA-2408

DATE	
PROJECT NAME	
TYPE	
QTY	
ORDERING CODE	B2408U

OVERVIEW



INPUT	AC120-347V/60Hz
INPUT POWER	2 W
EMERGENCY POWER	2 W
CCT	6500K Overcharge/Over-discharge protection

EMERGENCY DURATION	≥1.5 Hours
CHARGE TIME	≤24 Hours High performance, Ni-Cad Battery Test Switch
HOUSING MATERIAL	UV Stabilized Thermoplastic
UNIVERSAL MOUNTING	Ceiling, wall, end mount Suitable for Damp Location

CONFIGURATIONS	Single or Double Face Comes standard with 3 pictograms
-----------------------	---



Front View



Side View



Top View