

EXITA SERIES

eralux®

EXIT/EMERGENCY LED LIGHTING

“Running Man” Exit Signs

The EXITA “Running Man” series are Exit or Emergency LED lighting fixtures that come with a variety of options and two material finishes; aluminum and thermoplastic. In addition to square or round combo head options, the “Running Man” pictograms can be either on a single face or on both faces. Available for indoor or outdoor applications.

Application: Stairwells | Hallways | Offices | Commercial Spaces

	DATE	QTY	ACC. QTY	TYPE
PROJECT				
PN				
ACCESSORY PN				
NOTES				

EXITA SERIES – RUNNING MAN

Part #	CR-7008M2	B2408U	CR-7020BE	F2231CA	CR-7106	F5025CA
Picture						
Part #	F2230CA	CR-7020AE	BY-F5024CA	CR-7107		
Picture						

Comes standard with 3 pictograms



PRODUCT CERTIFICATIONS



French version for Quebec market



Note: Not available for B2408U and CR-7107

SYSTEM WARRANTY – 2 YEARS

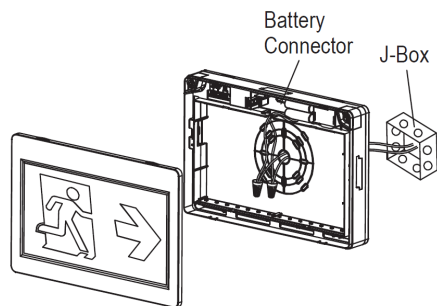
Eralux will warrant defective drivers, LEDs and boards for 2 years from the date of purchase. This warranty is valid only if the fixture is installed and used as per installation guides and specifications. If a defect is present, Eralux will send drivers and boards at no fee with a thorough replacement instructions along with instructions on the return of the defective parts back to Eralux.

SPECIFICATIONS

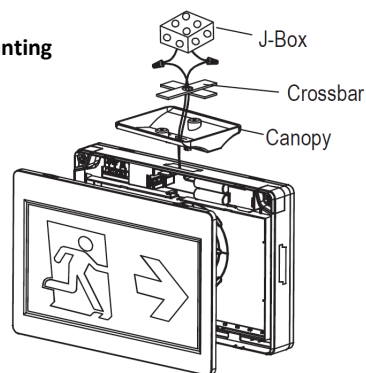
Input Voltage	120-347 V
Power Factor	>0.9
Total Harmonic Distortion	<20%
Power	3.5 W
Housing	Thermoplastic ABS
Finish	White
Configuration	Single or double face Comes standard with 3 pictograms
Ambient Temperature Range	0 °C to 40 °C
Mounting Options	Ceiling, wall, end mount
Charging Time	≤ 24 hours
Discharging Time	120 min
Battery	High performance Ni-Cad battery with test switch
Application	Damp location
Protections	UL-94-5VA flame-retardant Fire-resistant
Compliant	CSA Certified to C22.2 #141-15 UL-924 NFPA 101 Life Safety Code NEC OSHA



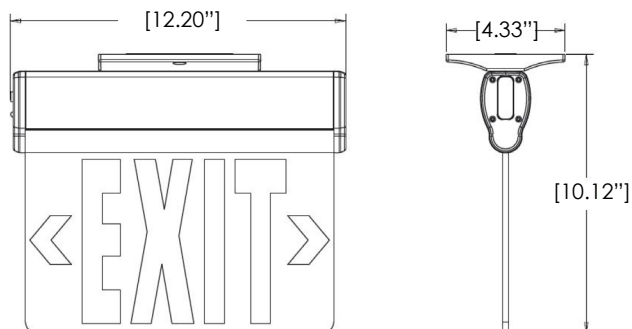
Wall Mounting



Ceiling Mounting



DIMENSIONS

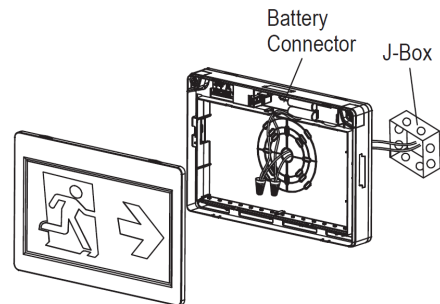


SPECIFICATIONS

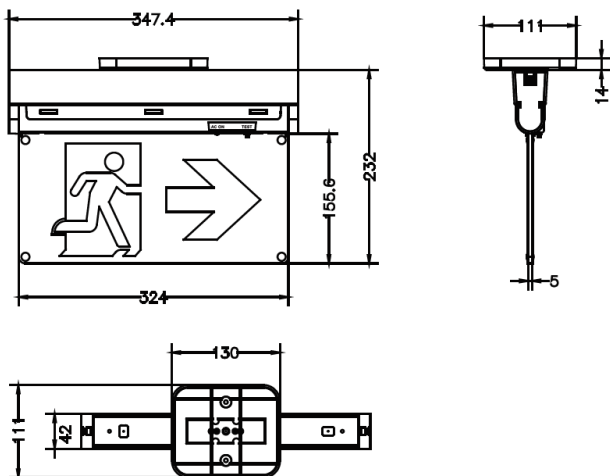
Input Voltage	120-347 V
Power Factor	>0.9
Total Harmonic Distortion	<20%
Power	2 W
Housing	UV stabilized thermoplastic
Finish	White
Configuration	Single or double face Comes standard with 3 pictograms
Ambient Temperature Range	0 °C to 40 °C
Mounting Options	Ceiling, wall, end mount
Charging Time	≤ 24 hours
Discharging Time	90 min
Battery	High performance Ni-Cad battery with test switch
Application	Damp location
Protections	UL-94-V0 flame-retardant Fire-resistant
Compliant	UL Certified to C22.2 #141-15



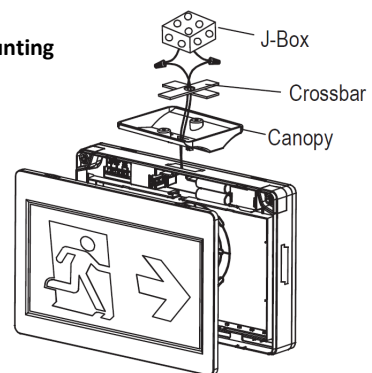
Wall Mounting



DIMENSIONS



Ceiling Mounting

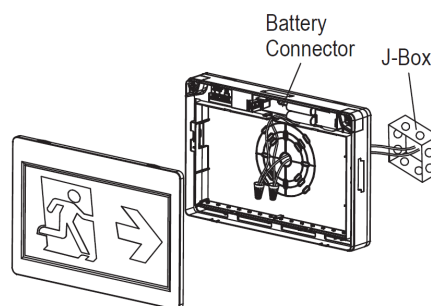


SPECIFICATIONS

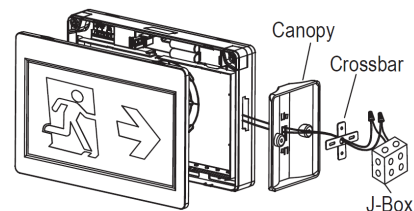
Input Voltage	120-347 V	
Power Factor	>0.9	
Total Harmonic Distortion	<20%	
Power	3.5 W	
Housing	Thermoplastic ABS	
Finish	White	CR-7020BE
	Black	CR-7020BE-BK
Configuration	Single or double face Comes standard with 3 pictograms French "SORTIE" sign available	
Ambient Temperature Range	0 °C to 40 °C	
Mounting Options	Ceiling, wall, end mount	
Charging Time	≤24 hours	
Discharging Time	≥ 120 min	
Battery	High performance Ni-Cad battery with test switch	
Application	Damp location	
Protections	UL-94-5VA flame-retardant Fire-resistant	
Compliant	CSA certified to C22.2 #141-15 UL-924 NFPA 101 Life Safety Code NEC OSHA	



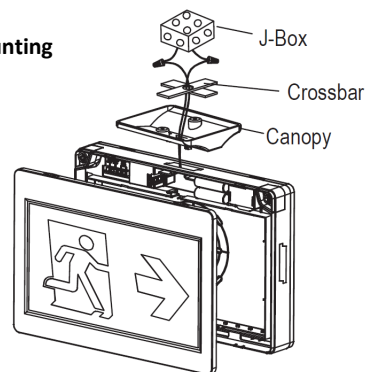
Wall Mounting



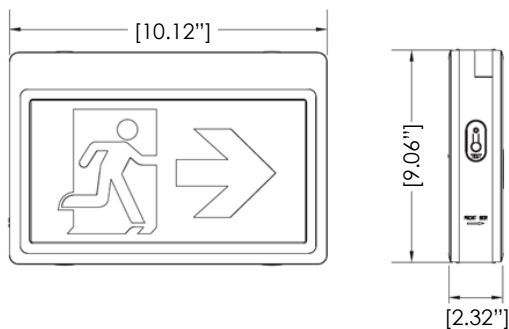
Side Mounting



Ceiling Mounting



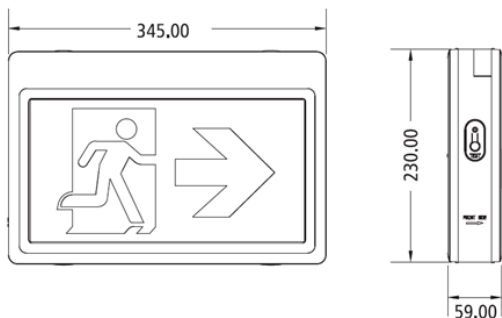
DIMENSIONS



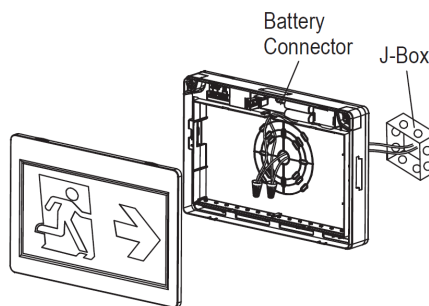
SPECIFICATIONS

Input Voltage	120-347 V
Power Factor	>0.9
Total Harmonic Distortion	<20%
Power	4.5 W
Housing	UV stabilized thermoplastic
Finish	White
Configuration	Single or double face Comes standard with 3 pictograms French "SORTIE" sign available
Ambient Temperature Range	0 °C to 40 °C
Mounting Options	Ceiling, wall, end mount
Charging Time	≤2 4 hours
Discharging Time	≥ 120 min
Battery	High performance Ni-Cad battery with test switch
Application	Damp location
Protections	UL-94-V0 flame-retardant Fire-resistant
Compliant	UL certified to C22.2 #141

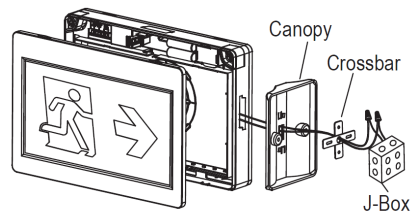
DIMENSIONS



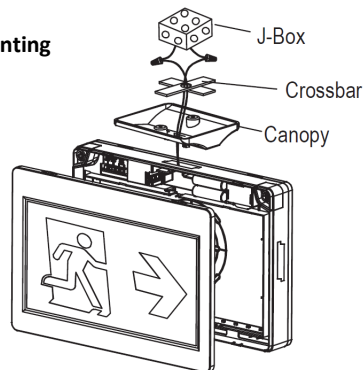
Wall Mounting



Side Mounting



Ceiling Mounting

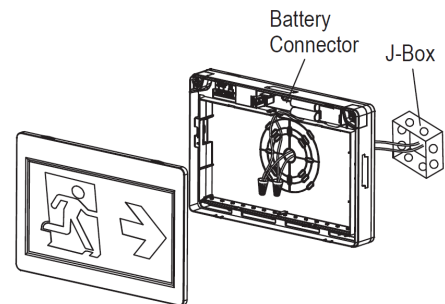


SPECIFICATIONS

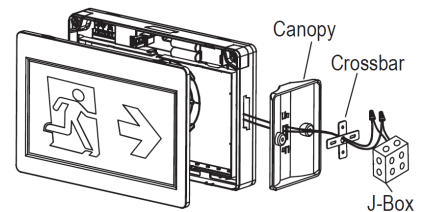
Input Voltage	120-347 V
Power Factor	>0.9
Total Harmonic Distortion	<20%
Power	4 W
Housing	Steel frame
Finish	Powder coated white
Configuration	Single or double face Comes standard with 3 pictograms French "SORTIE" sign available
Ambient Temperature Range	0 °C to 40 °C
Mounting Options	Ceiling, wall, end mount
Charging Time	≤ 24 hours
Discharging Time	≥ 90 min
Battery	High performance Ni-Cad battery with test switch
Application	Damp location
Protections	UL-94-V0 flame-retardant Fire-resistant
Compliant	CSA certified to C22.2 #141-15 UL-924 NFPA 101 Life Safety Code NEC OSHA



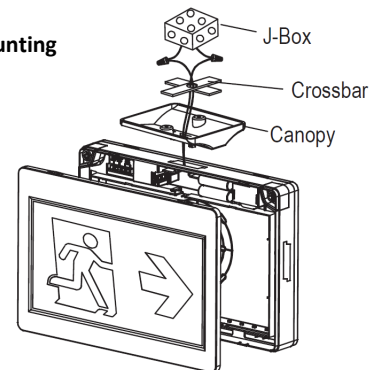
Wall Mounting



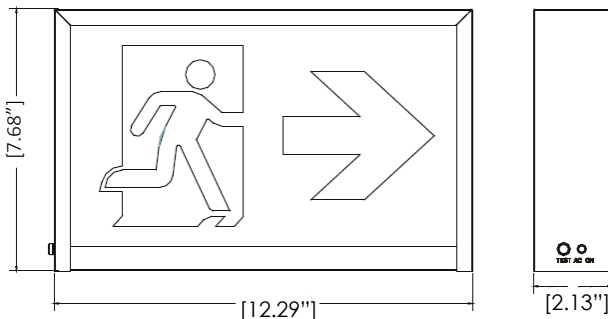
Side Mounting



Ceiling Mounting



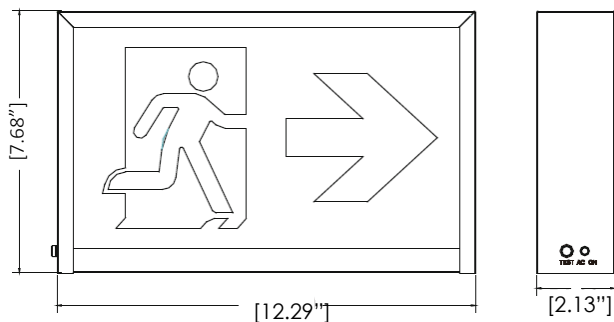
DIMENSIONS



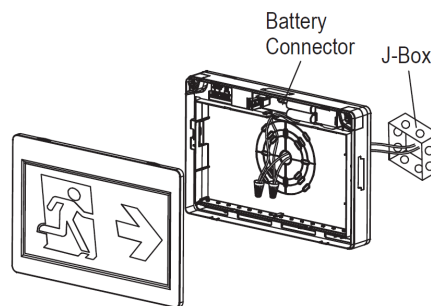
SPECIFICATIONS

Input Voltage	120-347 V
Power Factor	>0.9
Total Harmonic Distortion	<20%
Power	2 W
Housing	Steel frame
Finish	Powder coated white
Configuration	Single or double face Comes standard with 3 pictograms French "SORTIE" sign available
Ambient Temperature Range	0 °C to 40 °C
Mounting Options	Ceiling, wall, end mount
Charging Time	≤ 24 hours
Discharging Time	≥ 90 min
Battery	High performance Ni-Cad battery with test switch
Application	Damp location
Protections	UL-94-V0 flame-retardant Fire-resistant
Compliant	UL certified to C22.2 #141-15

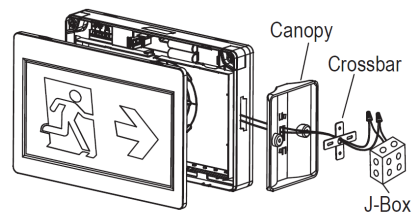
DIMENSIONS



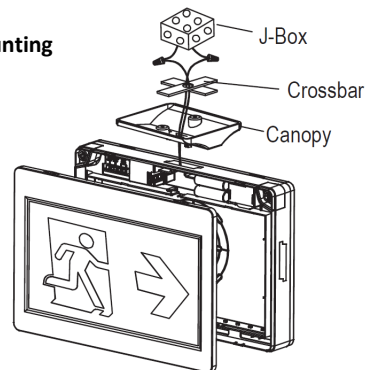
Wall Mounting



Side Mounting



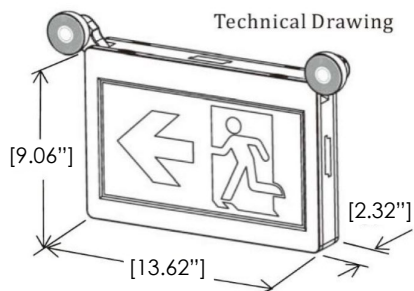
Ceiling Mounting



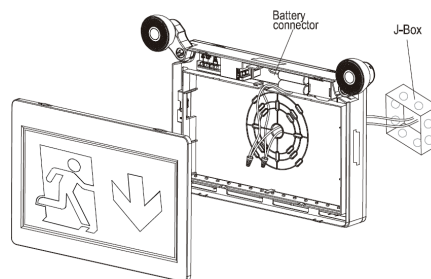
SPECIFICATIONS

Input Voltage	120-347 V
Power Factor	>0.9
Total Harmonic Distortion	<20%
Power	4.5 W
Housing	UV stabilized thermoplastic
Finish	White
Configuration	Single or double face Comes standard with 3 pictograms French "SORTIE" sign available
Ambient Temperature Range	0 °C to 40 °C
Mounting Options	Ceiling, wall, end mount
Charging Time	≤ 24 hours
Discharging Time	≥ 90 min
Battery	High performance Ni-Cad battery with test switch
Application	Damp location
Protections	UL-94-V0 flame-retardant Fire-resistant
Compliant	UL certified to C22.2 # 141-15

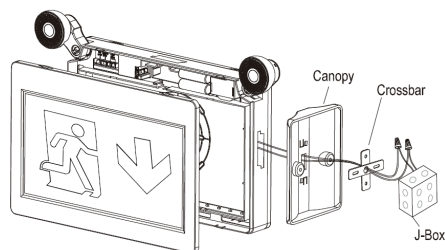
DIMENSIONS



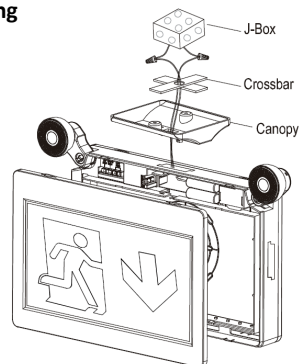
Wall Mounting



Side Mounting



Ceiling Mounting

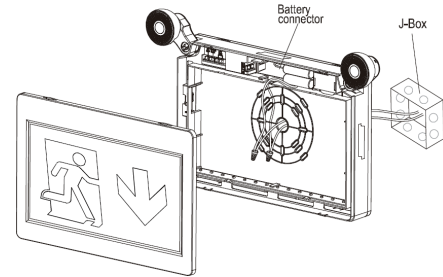


SPECIFICATIONS

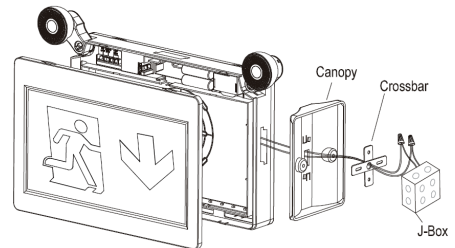
Input Voltage	120-347 V	
Power Factor	>0.9	
Total Harmonic Distortion	<20%	
Power	6 W	
Housing	Thermoplastic ABS	
Finish	White	CR-7020AE
	Black	CR-7020AE-BK
Configuration	Single or double face Comes standard with 3 pictograms French "SORTIE" sign available	
Ambient Temperature Range	0 °C to 40 °C	
Mounting Options	Ceiling, wall, end mount	
Charging Time	≤ 24 hours	
Discharging Time	≥ 90 min	
Battery	High performance Ni-Cad battery with test switch	
Application	Damp location	
Protections	UL-94-V0 flame-retardant Fire-resistant	
Compliant	CSA certified to C22.2 # 141-15 UL-924 NFPA 101 Life Safety Code NEC OSHA	



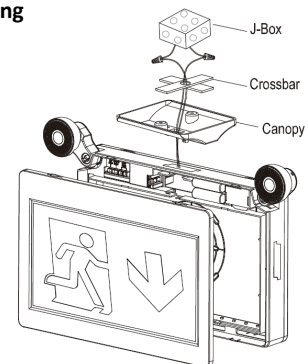
Wall Mounting



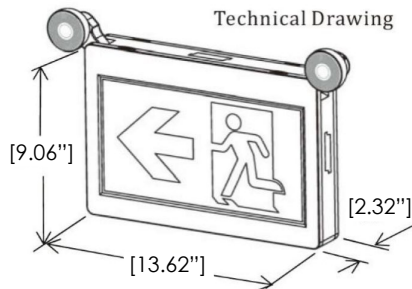
Side Mounting



Ceiling Mounting



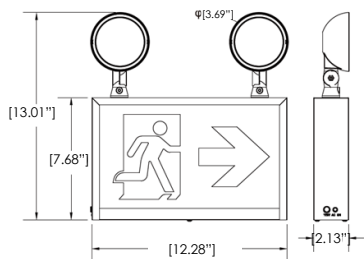
DIMENSIONS



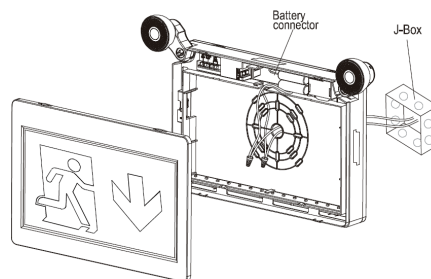
SPECIFICATIONS

Input Voltage	120-347 V
Power Factor	>0.9
Total Harmonic Distortion	<20%
Power	2 W
Housing	Steel frame
Finish	White
Configuration	Single or double face Comes standard with 3 pictograms French "SORTIE" sign available
Ambient Temperature Range	0 °C to 40 °C
Mounting Options	Ceiling, wall, end mount
Charging Time	≤ 24 hours
Discharging Time	≥ 90 min
Battery	High performance Ni-Cad battery with test switch
Application	Damp location
Protections	UL-94-V0 flame-retardant Fire-resistant
Compliant	UL certified to C22.2 #141

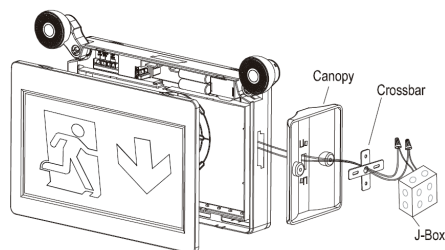
DIMENSIONS



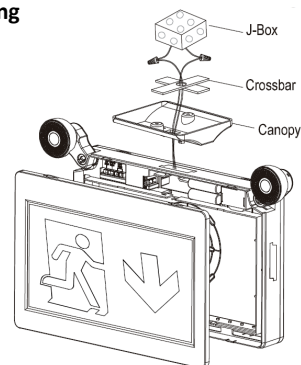
Wall Mounting



Side Mounting



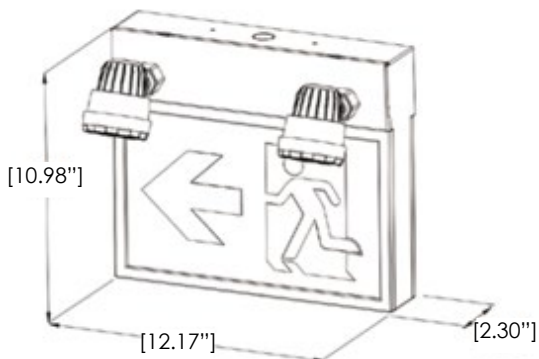
Ceiling Mounting



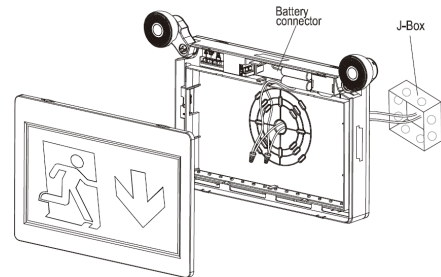
SPECIFICATIONS

Input Voltage	120-347 V
Power Factor	>0.9
Total Harmonic Distortion	<20%
Power	5 W
Housing	Steel frame
Head material	Thermoplastic ABS
Finish	Powder coated white
Configuration	Single or double face Comes standard with 3 pictograms
Ambient Temperature Range	0 °C to 40 °C
Mounting Options	Ceiling, wall, end mount
Charging Time	≤ 24 hours
Discharging Time	120 min
Battery	Lead acid battery
Application	Damp location
Protections	UL-94-V0 flame-retardant Fire-resistant
Compliant	CSA certified to C22.2 # 141-15 UL-924 NFPA 101 Life Safety Code NEC OSHA

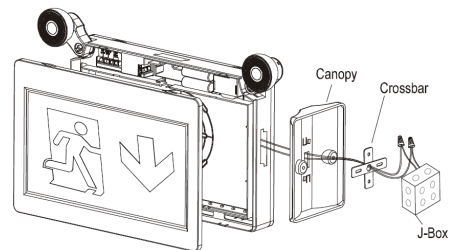
DIMENSIONS



Wall Mounting



Side Mounting



Ceiling Mounting

