

EZ M WALL-MOUNT



Cylinder LED Light

Architectural Round Cylinder | 4" Aperture | 12" Height

The EZ M Wall-Mount Series offers a stylish and elegant solution for open ceilings. Made from high-quality machined aluminum, this fixture combines durability with a sleek design. You can customize the EZ M with a range of accessories, including a Snoot, Pin-Hole, Glowing Ring, or Hex Louver. It provides both direct and indirect lighting with various beam angles, making it a versatile choice for any space. Applications: Art Galleries | Show Rooms | Retail Stores | Hospitality | Education

	DATE	QTY	ACC. QTY	TYPE
PROJECT				
PN				
ACCESSORY PN				
NOTES				

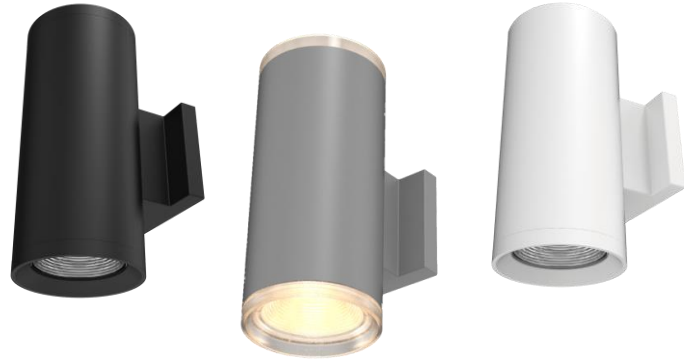
DYNAMIC MENU

Order Information	Page 2
Dimensions	Page 3
Accessories	Page 5
Photometric Data	Page 7

[Install Instruction link](#)

SPECIFICATIONS

Input Voltage	120-277V
Power Factor	>0.9
Total Harmonic Distortion	<20%
Dimming Page 6	TRIAC, ELV & 0-10V Dimming
CRI	90 CRI
CCT	<div style="display: flex; gap: 10px;"> <div style="border: 1px solid black; border-radius: 50%; width: 20px; height: 20px; background-color: #fff9c4; display: flex; align-items: center; justify-content: center;">27K</div> <div style="border: 1px solid black; border-radius: 50%; width: 20px; height: 20px; background-color: #fff176; display: flex; align-items: center; justify-content: center;">30K</div> <div style="border: 1px solid black; border-radius: 50%; width: 20px; height: 20px; background-color: #c8e6c9; display: flex; align-items: center; justify-content: center;">35K</div> <div style="border: 1px solid black; border-radius: 50%; width: 20px; height: 20px; background-color: #bbdefb; display: flex; align-items: center; justify-content: center;">40K</div> </div>
Efficacy	~90 lm/W at 90CRI (Standard)
Power	Up to 50W
Ambient Temperature Range	10°C to 35°C
Mounting Options	Wall Mount
Fixture Finish	Black White Silver Custom
Optic Accessory	Snoot Hex Louver Pin Hole Glowing Ring
Distribution	Direct Indirect Direct/indirect Spot Narrow Flood Wide



PRODUCT FEATURES



Custom Color

PRODUCT CERTIFICATIONS



SYSTEM WARRANTY – 5 YEARS

Eralux will warrant defective drivers, LEDs and boards for 5 years from the date of purchase. This warranty is valid only if the fixture is installed and used as per installation guides and specifications. If a defect is present, Eralux will send drivers and boards at no fee with a thorough replacement instructions along with instructions on the return of the defective parts back to Eralux.

LUMEN MAINTENANCE – L85 at 50,000 hours

Rated for 85% initial lumen output at 50,000 hours of operation, operated at 25°C ambient temperature; per guidelines published by the Illuminating Engineering Society (IES).

EZ M WALL-MOUNT

Cylinder LED Light

Architectural Round Cylinder | 4" Aperture | 12" Height

ORDERING GUIDE

AE-CYL-EZM-50R12		-50				-P-T	
AE-CYL-EZM-50R12 ERALUX ELEGANZA MAX Indoor Cylindrical Wall Mounted Fixture	-WM1 Wall Mount Direct or indirect only	-50¹ 25 each side or 50 one side	-27 2700K -30 300K -35 3500K -40 4000K	[BLANK] No downlight 15 15° 30 30° 40 40° 55 55°	[BLANK] No uplight 15 15° 30 30° 40 40° 55 55°	-P-T 90 CRI	-WH White -BK Black -SV Silver -RALXXXX² Custom

Fixture Family	Mounting	Power	CCT	Direct Beam	Indirect Beam	CRI	Finish
----------------	----------	-------	-----	-------------	---------------	-----	--------

1. Programmable between 19-50 watts
2. Contact manufacture for custom color and size

Custom Color Guide



ORDERING GUIDE-ACCESSORIES

Ordered separately

AE-CYL-EZM ERALUX ELEGANZA MAX Indoor Wall Mounted Fixture	-HX Hex louver -HXSNT Snoot Hex louver -Glow Glow ring
Accessory Family	Accessory

AE-CYL-EZM-HX ERALUX ELEGANZA MAX Indoor Wall Mounted Fixture	-SNT Snoot -PIN Pinhole	-BK Black -WH White -SV Silver -RALXXXX¹ Custom colour
Accessory Family	Accessory	Finish

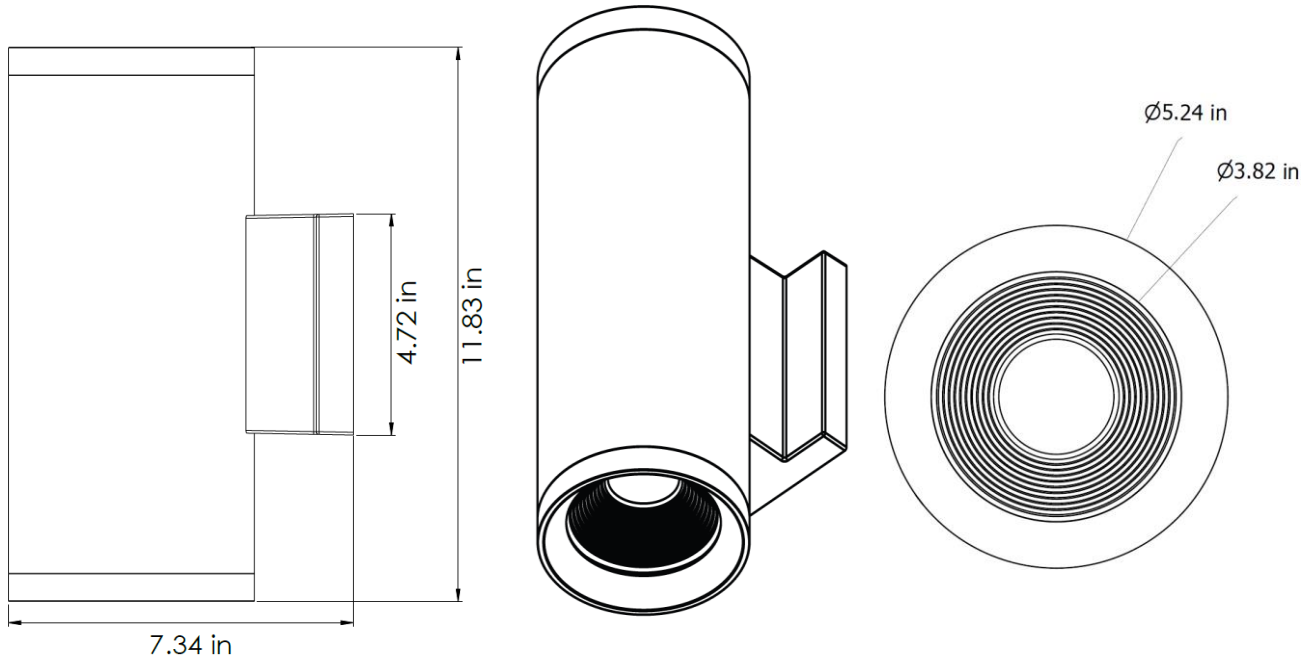
EZ M WALL-MOUNT

Cylinder LED Light

Architectural Round Cylinder | 4" Aperture | 12" Height

DIMENSIONS

AE-TL-EZM-50R-12-WM1-50W



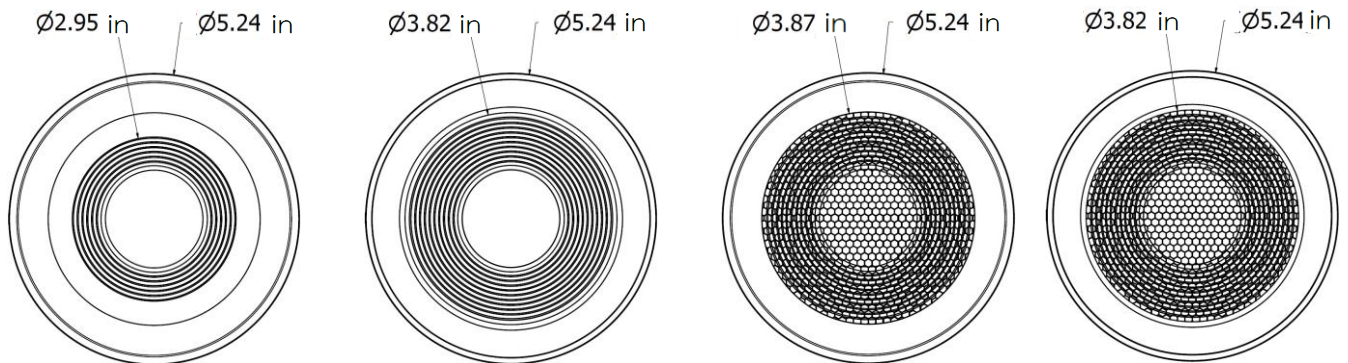
Accessories

Pinhole

Snoot

Hex Louver

Hex Louver + Snoot



Cylinder LED Light

Architectural Round Cylinder | 4" Aperture | 12" Height

ACCESSORIES

OPTICAL

ORDERING CODE	DESCRIPTION	PICTURE
AE-CYL-EZM-HX	Hex louver Reduce the glare of the light source and luminaire	
AE-CYL-EZM-HXSNT	Hex louver Reduce the glare of light source while using a snoot to control the light beam direction	
AE-CYL-EZM-SNT-BK	Black Snoot Control the direction and radius of the light beam	
AE-CYL-EZM-SNT-WH	White Snoot Control the direction and radius of the light beam	
AE-CYL-EZM-SNT-SV	Silver Snoot Control the direction and radius of the light beam	
AE-CYL-EZM-SNT-RALXXX	Custom color Snoot Control the direction and radius of the light beam	
AE-CYL-EZM-PIN-BK	Black Pinhole Plate to reduce the beam angle of the Eleganza Max	
AE-CYL-EZM-PIN-WH	White Pinhole Plate to reduce the beam angle of the Eleganza Max	
AE-CYL-EZM-PIN-SV	Silver Pinhole Plate to reduce the beam angle of the Eleganza Max	
AE-CYL-EZM-GLOW	Glowing ring Emits a light ring at the base of the cylinder	

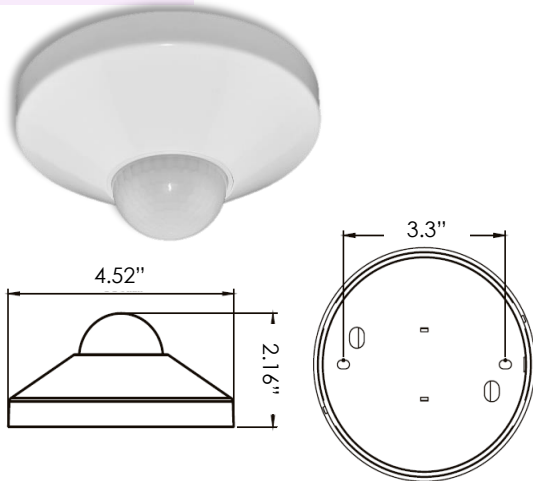
Cylinder LED Light

Architectural Round Cylinder | 4" Aperture | 12" Height

ROOM OCCUPANCY SENSOR

Ordered separately, field installed

PART NUMBER	DESCRIPTION
AE-CT-DT806	Detecta - Room Occupancy Sensor
RC102	RC102 Remote Control



SPECIFICATIONS		
Input Voltage	120-277 Vac	
Power Frequency	50/60HZ	
Rated Load	At 120 Vac	800W
	At 277 Vac	1200W
Detection Range	3-10 Meters	
	9.8-32.75 Feet	
Standby Power	~0.9W	
Time Setting	10 sec to 30 min	
Light Control	10-2,000LUX	
Installation	Ceiling Mounted	

DIMMER COMPATIBILITY LIST

TRIAC/ELV Dimming

Brand	Model	Brand	Model
LUTRON	SLV-600X	LEVITON	6602-X
	S2-LX		6681-X
	GL-600H		6683-X
	NFTU-5A		6684-X
	DVLV-600P		700-X
COOPER	9530XXX		705-X
LIGHTOLIER	MP600X		6633
ADVANCE	SR150LED120		6674
			IPI06-1LZ

0-10V Dimming

Brand	Model
LUTRON, NOVA SERIES	NFTV
LUTRON, DIVA SERIES	DVTV
LEVITON, ILLUMATECH SERIES	IP710-DL

Cylinder LED Light

Architectural Round Cylinder | 4" Aperture | 12" Height

LUMEN ESTIMATE

Lumen output varies based on CCT and CRI. An estimate of lumen output of the various CCT/CRI combinations, use correction factors as per table below:

LUMEN ESTIMATE ADJUSTMENT FACTORS

CCT	2700K	3000K	3500K	4000K
90CRI	0.78	0.86	0.93	0.93

PHOTOMETRIC DATA

PART NUMBER		ZONAL LUMEN SUMMARY			POLAR LUMINOUS INTENSITY	CONE DISTRIBUTION			
AE-TL-EZM-50R-12-WM1-50W		Zone	Lumens	% Fixture	Direct Light	Center Beam Fc		Beam Width	
Wattage	50W	0-20°	3003.91	78.3		1.7ft	9941 fc	0.4 ft	0.5 ft
CCT	3000K	0-30°	3457.51	90.1		3.3ft	2638 fc	0.9 ft	0.9 ft
Distribution	15°	0-40°	3631.24	94.6		5.0ft	1149 fc	1.3 ft	1.3 ft
		0-60°	3758.42	97.9		6.7ft	640 fc	1.8 ft	1.8 ft
		0-80°	3788.32	98.7		8.3ft	417 fc	2.2 ft	2.2 ft
		0-90°	3794.98	98.9		10.0ft	287 fc	2.6 ft	2.7 ft
						■ Vert. Spread: 14.9° ■ Horiz. Spread: 15.1°			

PART NUMBER		ZONAL LUMEN SUMMARY			POLAR LUMINOUS INTENSITY	CONE DISTRIBUTION			
AE-TL-EZM-50R-12-WM1-50W		Zone	Lumens	% Fixture	Direct Light	Center Beam Fc		Beam Width	
Wattage	50W	0-20°	2387.49	59.7		1.7ft	3340 fc	1.1 ft	1.1 ft
CCT	3000K	0-30°	3388.86	84.7		3.3ft	886 fc	2.1 ft	2.1 ft
Distribution	30°	0-40°	3744.59	93.6		5.0ft	386 fc	3.1 ft	3.1 ft
		0-60°	3909.92	97.7		6.7ft	215 fc	4.2 ft	4.2 ft
		0-80°	3948.28	98.7		8.3ft	140 fc	5.2 ft	5.2 ft
		0-90°	3955.17	98.9		10.0ft	96.5 fc	6.2 ft	6.2 ft
						■ Vert. Spread: 34.5° ■ Horiz. Spread: 34.6°			

PART NUMBER		ZONAL LUMEN SUMMARY			POLAR LUMINOUS INTENSITY	CONE DISTRIBUTION			
AE-TL-EZM-50R-12-WM1-50W		Zone	Lumens	% Fixture	Direct Light	Center Beam Fc		Beam Width	
Wattage	50W	0-20°	2140.77	52.8		1.7ft	2505 fc	1.4 ft	1.4 ft
CCT	3000K	0-30°	3341.91	82.5		3.3ft	665 fc	2.6 ft	2.6 ft
Distribution	40°	0-40°	3784.43	93.4		5.0ft	290 fc	4.0 ft	4.0 ft
		0-60°	3963.3	97.8		6.7ft	161 fc	5.3 ft	5.3 ft
		0-80°	3999.09	98.7		8.3ft	105 fc	6.6 ft	6.6 ft
		0-90°	4006.09	98.9		10.0ft	72.4 fc	7.9 ft	8.0 ft
						■ Vert. Spread: 43.3° ■ Horiz. Spread: 43.5°			

PART NUMBER		ZONAL LUMEN SUMMARY			POLAR LUMINOUS INTENSITY	CONE DISTRIBUTION			
AE-TL-EZM-50R-12-WM1-50W		Zone	Lumens	% Fixture	Direct Light	Center Beam Fc		Beam Width	
Wattage	50W	0-20°	1117.27	30.6		1.7ft	1181 fc	1.9 ft	2.0 ft
CCT	3000K	0-30°	2080.75	57.1		3.3ft	313 fc	3.8 ft	3.8 ft
Distribution	55°	0-40°	2902.84	79.6		5.0ft	136 fc	5.7 ft	5.8 ft
		0-60°	3534.76	97		6.7ft	76 fc	7.7 ft	7.7 ft
		0-80°	3597.54	98.7		8.3ft	49.5 fc	9.5 ft	9.6 ft
		0-90°	3604.64	98.9		10.0ft	34.1 fc	11.4 ft	11.5 ft
						■ Vert. Spread: 59.5° ■ Horiz. Spread: 60.0°			

Cylinder LED Light

Architectural Round Cylinder | 4" Aperture | 12" Height

OVERVIEW



Innovative Design

- Aluminum die cast housing for better heat dissipation.
- Improved design extends LED and driver lifespan.



Multiple Options

- 50W power | 4500 Lumens; Can be tuned down to 19W
- Variety of beam angles.
- Four CCTs available.
- Black, white, silver and custom finishes.



Distribution

- Direct/Indirect.
- Direct only.
- Indirect only.



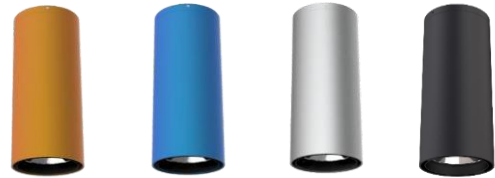
Feature

- Customized color
- Tunable Power down to 19W | 1710 lm upon request



Accessories

- Hex louver
- Glowing ring
- Snoot available with different finishes



Glowing Ring



Hexcell Louver



Snoot



Tests And Certifications

