

# FUJI

## OUTDOOR LED LIGHT

### Man Door Wall Pack | Power & CCT Switchable

The Fuji offers a sleek and refined take on wall pack lighting, combining elegance with functionality. Its die-cast aluminum housing is designed for efficient cooling, enhancing heat dissipation and ensuring a long-lasting system. With advanced optics, the Fuji maximizes light utilization and uniformity, making it an ideal choice for residential and multi-housing projects. Installation is also straightforward with the included surface-mount kit.

Application: Alleyway | Man door | Patio | Driveway

eralux®

	DATE	QTY	ACC. QTY	TYPE
PROJECT				
PN				
ACCESSORY PN				
NOTES				



#### DYNAMIC MENU

Order Information	<a href="#">Page 2</a>
Dimensions	<a href="#">Page 3</a>
Photometric Data	<a href="#">Page 4</a>

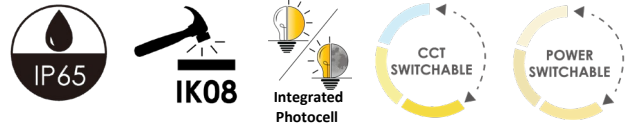
[Install Instruction link](#)



#### SPECIFICATIONS

Input Voltage	120-277V
Power Factor	>0.9
Total Harmonic Distortion	<20%
Dimming	0-10V dimming
CRI	80 CRI
CCT	<div style="display: flex; gap: 10px;"> <div style="border: 1px solid black; border-radius: 50%; width: 20px; height: 20px; background-color: #fff9c4; display: flex; align-items: center; justify-content: center;">30K</div> <div style="border: 1px solid black; border-radius: 50%; width: 20px; height: 20px; background-color: #e0e0e0; display: flex; align-items: center; justify-content: center;">40K</div> <div style="border: 1px solid black; border-radius: 50%; width: 20px; height: 20px; background-color: #e0f2f1; display: flex; align-items: center; justify-content: center;">50K</div> </div>
Efficacy	~125 lm/W
Power	15/20/25W
Ambient Temperature Range	-40°C to 45°C
Mounting Options	Surface   Wall Mount
Fixture Finish	Black   Bronze 
Controls	Integrated Photocell
Protection	IP65; water and dust resistance IK08; impact resistance
Distribution	90°x140°
Lens	Polycarbonate lens

#### PRODUCT FEATURES



#### PRODUCT CERTIFICATIONS



Design Lights Consortium® (DLC) qualified product. Not all versions of this product may be DLC qualified. Please check the DLC Qualified Products List at [www.designlights.org/QPL](http://www.designlights.org/QPL) to confirm which versions are qualified" [page 4](#)

#### SYSTEM WARRANTY – 5 YEARS

Eralux will warrant defective drivers, LEDs and boards for 5 years from the date of purchase. This warranty is valid only if the fixture is installed and used as per installation guides and specifications. If a defect is present, Eralux will send drivers and boards at no fee with a thorough replacement instructions along with instructions on the return of the defective parts back to Eralux.

#### LUMEN MAINTENANCE – L70 at 50,000 hours

Rated for 70% initial lumen output at 50,000 hours of operation, operated at 25°C ambient temperature; per guidelines published by the Illuminating Engineering Society (IES).

## OUTDOOR LED LIGHT

Man Door Wall Pack | Power & CCT Switchable



### ORDERING GUIDE

<b>AE-WP-FJ</b>	<b>-25W</b>	<b>-H</b>	<b>-TCP</b>	
AE-WP-FJ ERALUX FUJI Outdoor Wall pack Light	-25W 25/20/15 Watts 3,125/2,500/1,875 lumens	-H Premium Light diffusion	-TCP 3000/4000/5000K Switchable	-BK Black -BZ Bronze

<b>Fixture Family</b>	<b>Power</b>	<b>Performance</b>	<b>CCT</b>	<b>Finish</b>
-----------------------	--------------	--------------------	------------	---------------

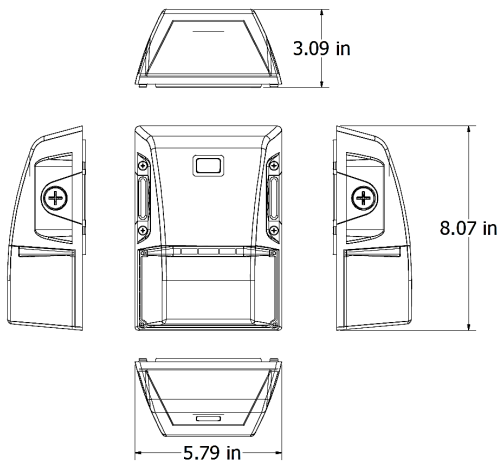
### NOTES

Photocell can be switched on/off on field upon desire

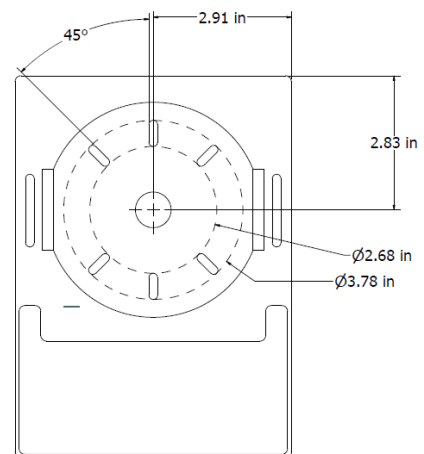
### DIMENSIONS

AE-WP-FJ-25W-H-TCP-XX

#### Dimensions

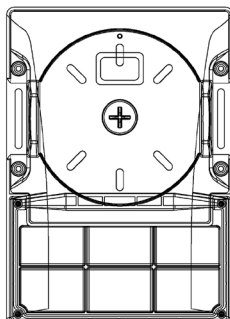


#### Back Plate Installation



### B-U-G RATING

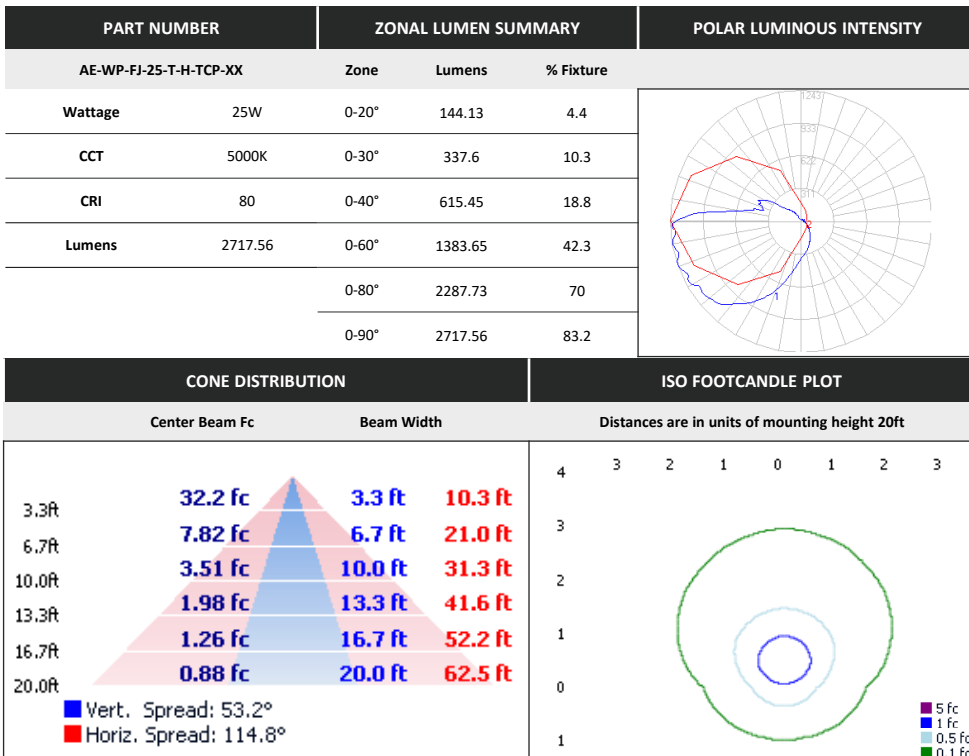
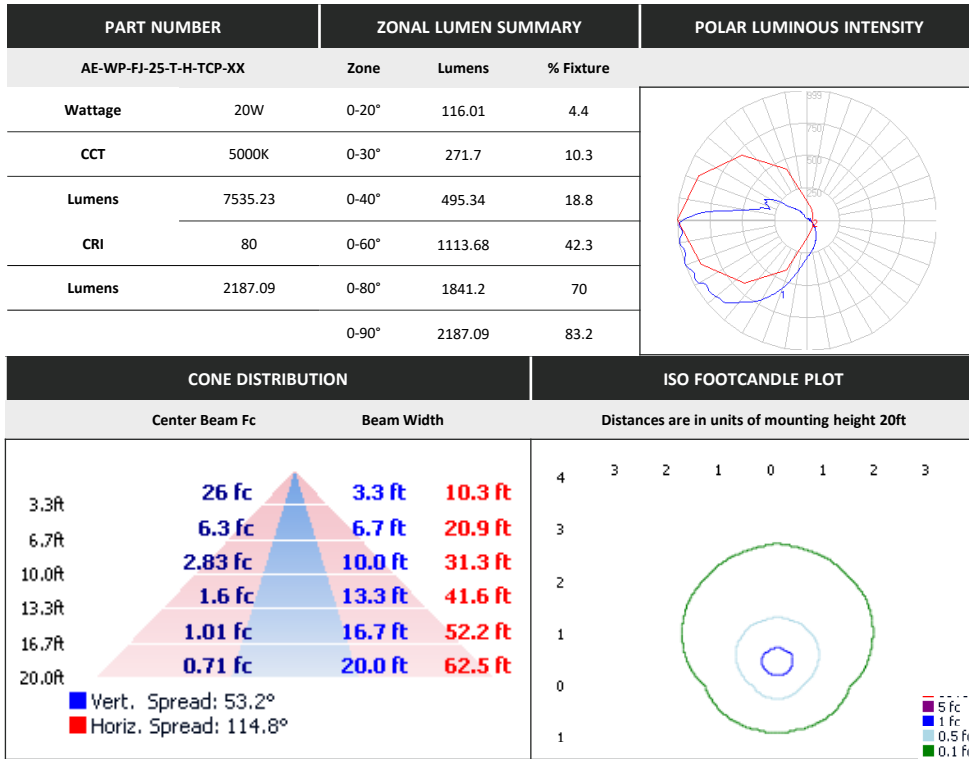
POWER	B-U-G
15W	B2-U3-G3
20W	
25W	



## OUTDOOR LED LIGHT

Man Door Wall Pack | Power & CCT Switchable

### PHOTOMETRIC DATA



## OUTDOOR LED LIGHT

Man Door Wall Pack | Power & CCT Switchable

### OVERVIEW



#### Innovative Design

- Aluminum die cast housing and fins for better heat dissipation



#### Protection

- Protected against dust ingress.
- Protected against water jets
- Impact resistant



#### Multiple Options

- Black & Bronze finish
- CCT Switchable ; 30/40/50K
- Power Switchable ; 15/20/25W



#### Accessories

- Integrated photocell
- Can be turned on/off on field



Integrated Photocell



#### Tests And Certifications



### DLC

DLC MODEL	PRODUCT ID	Primary Use	Classification
AE-WP-FJ-25W-H-TCP-[Blank,PT,EM,PM]- [Blank,BZ,BK]	S-XHPZW0	Outdoor Non-Cutoff and Semi-Cutoff Wall-Mounted Area Luminaires	Premium