

G5 PRIME

LINEAR FIXTURES

Linear Architectural Lighting

The G5 PRIME is a high-end, low glare architectural linear which offers a high lumen output while maintaining an UGR level below 16. The housing can be connected seamlessly to achieve long runs. It is available for suspended mounting, surface mounting, and wall mounting in various run lengths. Our ERALUX color finish reduces glare by using a baked enamel coating that enhances your project space.



eralux®



DATE	
PROJECT NAME	
TYPE	
QTY	
ORDERING CODE	AE-SF-GSCA 010 - - -P

OPERATING & ELECTRICAL

INPUT VOLTAGE	120-347V
POWER FACTOR	0.9
DIMMING	0-10V
TOTAL HARMONIC DISTORTION (THD)	<20%

PERFORMANCE

LUMENS PER WATT	100 LPW at 80CRI for 6FT and 8FT 90 LPW at 80CRI for 4 FT
POWER	40W 50W 70W
DISTRIBUTION	Lambertian
UGR	<16

MECHANICAL & HOUSING

HOUSING	Extruded aluminum
LENS	Highly durable frosted polycarbonate lens
FINISH	Nebula White Atomic Black Silver RAL7044 Gun Powder RAL7011
POWER SUPPLY	Factory wired electronic LED driver
LED BOARD	Discrete LED

APPLICATION CONDITION

AMBIENT TEMPERATURE RANGE	-10°C to 40°C
---------------------------	---------------

COMPATIBLE MOUNTING

MOUNTING	Surface Suspended Wall
----------	------------------------------

WARRANTY

SYSTEM WARRANTY – 5 YEARS

Eralux will warrant defective drivers, LEDs and boards for 5 years from the date of purchase. This warranty is valid only if the fixture is installed and used as per installation guides and specifications. If a defect is present, Eralux will send drivers and boards at no fee with a thorough replacement instructions along with instructions on the return of the defective parts back to Eralux.

LUMEN MAINTENANCE – L85 at 50,000 hours

Rated for 85% initial lumen output at 50,000 hours of operation, operated at 25°C ambient temperature; per guidelines published by the Illuminating Engineering Society (IES).

DATE	
PROJECT NAME	
TYPE	
QTY	
ORDERING CODE	AE-SF-G5CA 010 - - -P

ORDERING GUIDE

EXAMPLE: AE-SF-G5CA44030/35/40010WH-GB-X-X-P

FIXTURE FAMILY	VOLTAGE	LENGTH	POWER	CCT	CONTROLS	FINISH	DIMMING	ACCESSORIES	LENS
AE-SF-G5	CA				010		-	-	
AE-SF-G5 ERALUX G5 linear architectural fixture	CA 120-347Vac input voltage	4 4 feet length	40 40 watts: 3500 lumens	30/35/40* 3000/3500 /4000K selectable CCT	010 0-10V dimming with dim-to-off	WH-GB ERALUX Nebula White	[LEAVE BLANK] 0-10V Standard	-PU Power cord – 120-277V	-P Parabolic lens
		6 6 feet length	50 50 watts: 5000 lumens				30/40/50 3000/4000 /5000K selectable CCT	-LDE1** Lutron Hi-lumeN 1% EcoSystem driver with Soft-on, Fade-to-Black dimming technology down to 1%	
		8 8 feet length	70 70 watts: 7000 lumens	GN-GB Gun powder RAL 7011				-EMBB*** Emergency battery backup	
							-1DIM****		

CAUTION: If there are multiple fixtures connected to the same 0-10V dimming line, a 0-10V controller must be considered to enable consistent dimming across the fixtures. Failure to do so will lead to inconsistent dimming and behaviors in the fixtures. Single switch is not recommended for controlling multiple fixtures simultaneously.

Each fixture comes standard with 2x 6FT suspension cables

* Default CCT setting is 3500K but can be changed upon request before shipping.

** LDE1 option requires color selection if not the default CCT, 3500K.

*** EMBB option available in 120-277V only.

**** 1DIM available only in 120-277V, it works for 4,5,6,8 FT

Maximum of 300 Wattages powered by 1 electrical drop

DATE							
PROJECT NAME							
TYPE							
QTY							
ORDERING CODE	AE-SF-G5CA				010	-	-P

ORDERING GUIDE...Continued

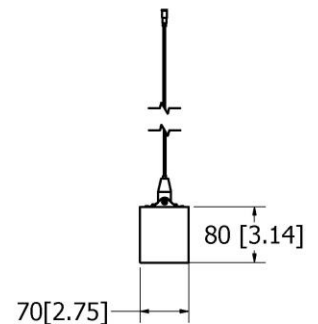
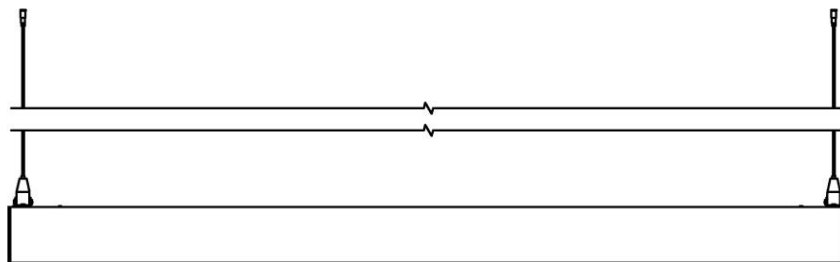
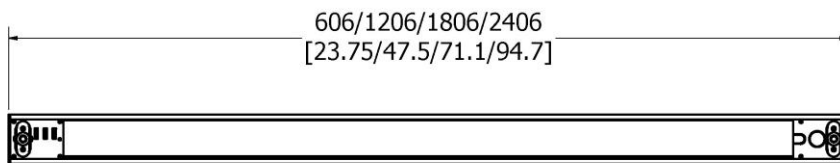
EXAMPLE: AE-SF-G5CA440N30/40/50010WH-GB-PCUV-CP4

ACCESSORIES	
BLANK	
-PCUV	- Power cord – 120-277V
-PCUV-CP4	- Power cord – 120-277V with 4-inch Canopy
-PCUV-CP5	- Power cord – 120-277V with 5-inch Canopy
-PCHV	- Power cord – 120-347V
-PCHV-CP4	- Power cord – 120-347V with 4-inch Canopy
-PCHV-CP5	- Power cord – 120-347V with 5-inch Canopy

POWER SWITCHABLE OPTIONS

2FT	Avg 105-120 LPW	20 watts	20W – 2100 lms
		20/30/40 watts switchable	20W – 2100 lms 30W – 3150 lms 40W – 4200 lms
4FT	Avg 105-120 LPW	30/40/50 watts switchable	30W – 3600 lms 40W – 4800 lms 50W – 6000 lms
		40/70 watts switchable	40W – 4800 lms 70W – 8400 lms

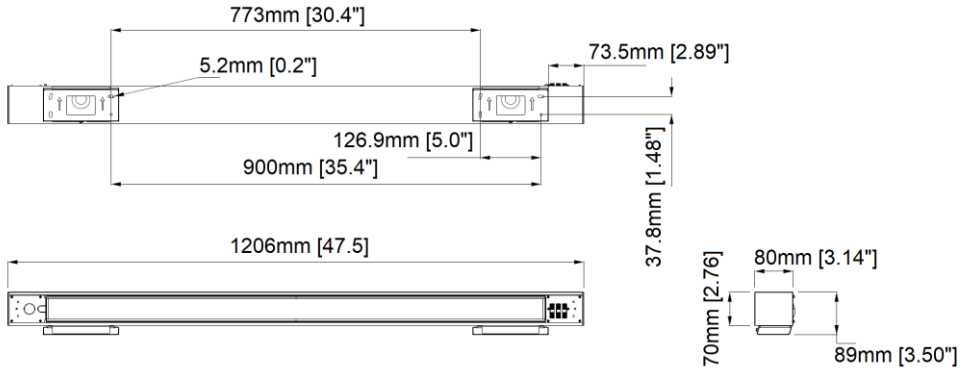
PRODUCT DIMENSIONS - SUSPENDED



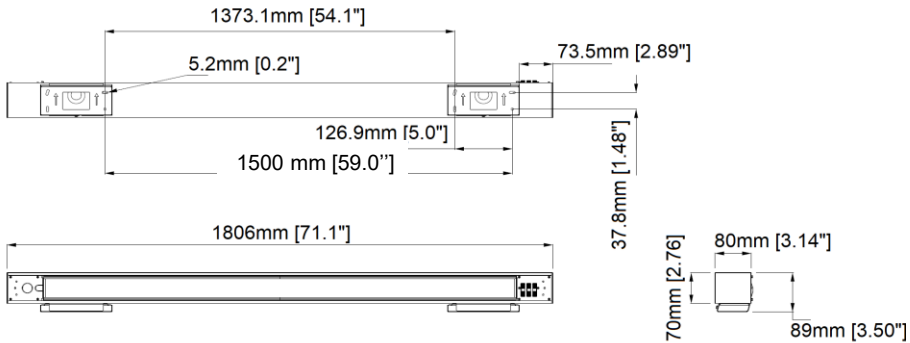
DATE								
PROJECT NAME								
TYPE								
QTY								
ORDERING CODE	AE-SF-G5CA				010	-	-	-P

PRODUCT DIMENSION – WALL MOUNT

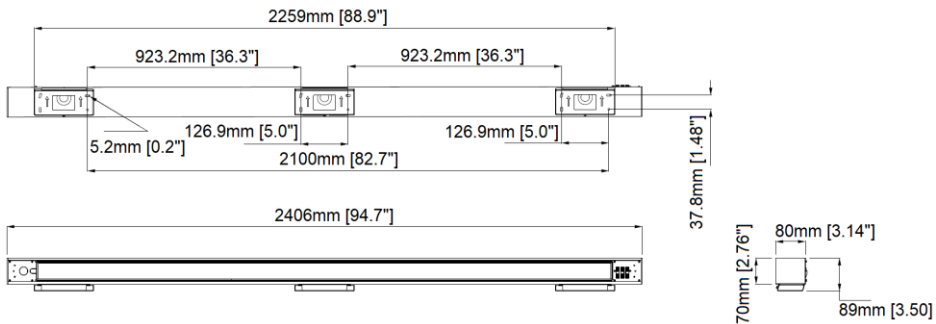
AE-SF-G5CA440XX/XX/XX010XX-GB-P



AE-SF-G5CA650XX/XX/XX010XX-GB-P




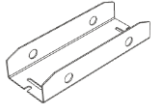




AE-SF-G5CA870XX/XX/XX010XX-GB-P



DATE	
PROJECT NAME	
TYPE	
QTY	
ORDERING CODE	AE-SF-G5CA 010 - - -P

ACCESSORIES

Ordered separately, field installed

PART NUMBER	DESCRIPTION	PICTURE
AE-SF-CANOPY-WH-5IN AE-SF-CANOPY-BK-5IN	Canopy Cover kit: 5" diameter - 2 pieces White or Black	
AE-SF-LINK-G2	Linkable Metal Accessory – 1 piece Fixture wired for continuous mounting	
AE-SF-G5-SMT-WH AE-SF-G5-SMT-BK	Surface mount kit – 1 piece – White Surface mount kit – 1 piece – Black	
AE-SF-PWRCORD-WH AE-SF-PWRCORD-BK	8FT power cord – 120-277V - White 8FT power cord – 120-277V - Black	
AE-SF-PWRCORD-HV-WH AE-SF-PWRCORD-HV-BK	8FT power cord – 120-347V - White 8FT power cord – 120-347V - Black	
AE-SF-WMB-WH AE-SF-WMB-BK	Wall mount kit – 2 pieces	

LUMEN ESTIMATE

Lumen output varies based on CCT and CRI. An estimate of lumen output of the various CCT/CRI combinations, use correction factors as per table below:

LUMEN ESTIMATE ADJUSTMENT FACTORS				
CCT	3000K	3500K	4000K	5000K
NORMAL (80CRI)	0.94	0.97	1	1.03

G5 PRIME

LINEAR FIXTURES

Linear Architectural Lighting

DATE	
PROJECT NAME	
TYPE	
QTY	
ORDERING CODE	AE-SF-G5CA 010 - - -P

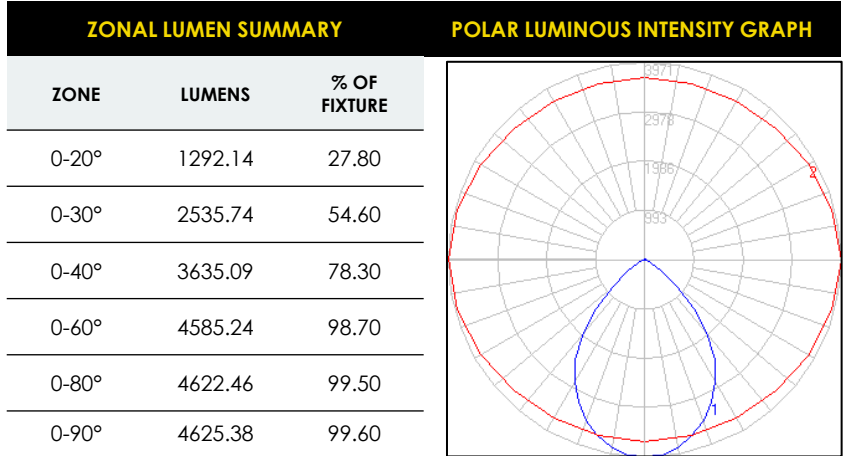
PHOTOMETRIC DATA

AE-SF-
G5CA44030/40/50010WH-
GB-P (3500K)

4 FEET

40 WATTS

3500K

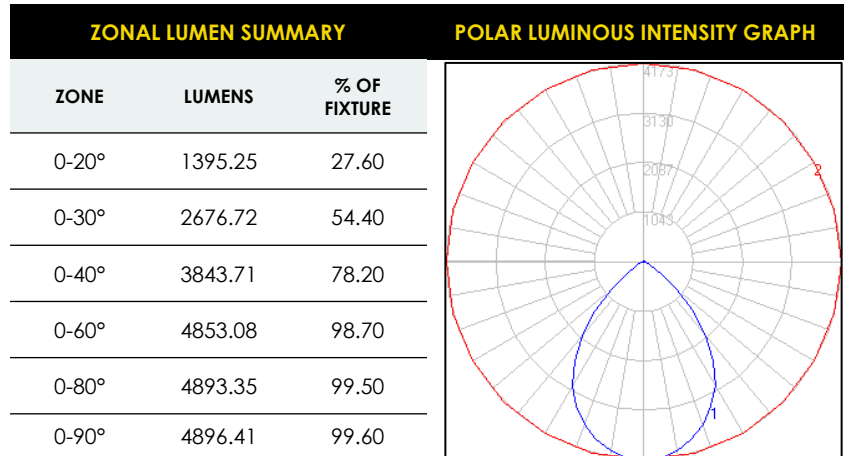


AE-SF-
G5CA44030/40/50010WH-
GB-P (4000K)

4 FEET

40 WATTS

4000K



DIMMER COMPATIBILITY LIST

0-10V Dimmer
LEGRAND RH4FBL3PTC
LUTRON DVS7V-WH
LEVITON IP710-LFZ

0-10V Dimmer
EATON WBSD-010SLD
LEVITON DS710
LUTRON MS-Z101
HUBBEL LHDIRS3N

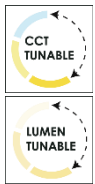
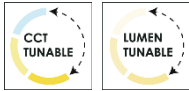
eralux® G5 PRIME

LINEAR FIXTURES

Linear Architectural Lighting

DATE								
PROJECT NAME								
TYPE								
QTY								
ORDERING CODE	AE-SF-G5CA				010	-	-	-P

OVERVIEW



2/4/6/8 ft

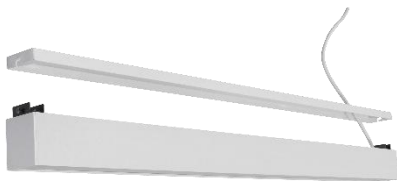
Single
Fixture



Seamless
joints



Canopy: 2/kit



4/6/8 ft



COLOR SELECTABLE

Easily removable fixture top exposes the DIP switch to change between 3 CCT variations from warm to cool light.

ACCESSORIES

Multiple accessories to select such as canopy cover kits and mounting brackets.

STANDARD FEATURES

4FT suspension cables standard with fixture providing simple purchase and cost-savings.

CONTINUOUS RUNS

Easily connect multiple fixtures together for continuous mounting configuration.

FINISHES

Standard ERALUX anti-glare White and black finishes reduce object glare and provide an elegant look to the fixture's housing. In addition to silver and gun powder finishes.