

# G5

## LINEAR LED LIGHT

### Suspended Architecture Linear | 2.5" Aperture | Direct

The G5 is a Linear Architectural LED Light, designed to deliver direct lighting for a seamless ambiance. Featuring a selection of diffuser options—including parabolic louver, drop, batwing and wall wash lenses. Our linear supports continuous runs, creating a unified lighting design that enhances the aesthetic of any environment. Custom designs are achievable; X-T-L shapes and honey-comb designs.

Applications: Art Galleries | Office | Retail Stores | Hospitality | Education

	DATE	QTY	ACC. QTY	TYPE
PROJECT				
PN				
ACCESSORY PN				
NOTES				



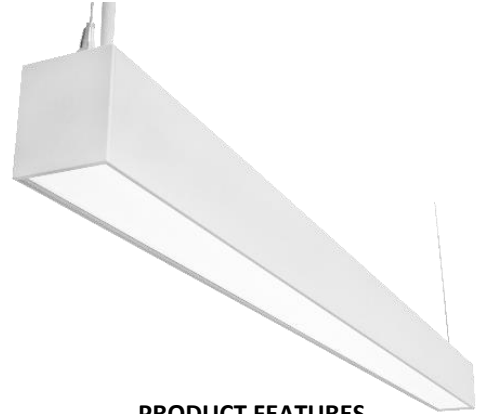
#### DYNAMIC MENU

Order Information	<a href="#">Page 2</a>
Dimensions	<a href="#">Page 5</a>
Accessories	<a href="#">Page 9</a>
Photometric Data	<a href="#">Page 13</a>

[Install Instruction link](#)

#### SPECIFICATIONS

Input Voltage	120-347V				
Power Factor	>0.9				
Total Harmonic Distortion	<20%				
Dimming <a href="#">Page 4</a>	0-10V dimming				
CRI	80 CRI				
CCT	<span>30K</span> <span>35K</span> <span>40K</span> <span>50K</span>				
Efficacy	~1100 lm/W		~110 lm/ft		
Length	2'	4'	5'	6'	8'
Power(W)	20	40	50	60	80
Ambient Temperature Range	-10°C to 40°C				
Mounting Options					
Fixture Finish	Black   White   Silver   Gun powder 				
Custom Design	X, L, T shapes Continuous runs Hexagon Shapes				
Optics	Polycarbonate   Drop lens   Batwing   Wall Wash   Parabolic louver				
Distribution					



#### PRODUCT FEATURES



#### PRODUCT CERTIFICATIONS



Design Lights Consortium® (DLC) qualified product. Not all versions of this product may be DLC qualified. Please check the DLC Qualified Products List at [www.designlights.org/QPL](http://www.designlights.org/QPL) to confirm which versions are qualified" [page 4](#)

#### SYSTEM WARRANTY – 5 YEARS

Eralux will warrant defective drivers, LEDs and boards for 5 years from the date of purchase. This warranty is valid only if the fixture is installed and used as per installation guides and specifications. If a defect is present, Eralux will send drivers and boards at no fee with a thorough replacement instructions along with instructions on the return of the defective parts back to Eralux.

#### LUMEN MAINTENANCE – L85 at 50,000 hours

Rated for 85% initial lumen output at 50,000 hours of operation, operated at 25°C ambient temperature; per guidelines published by the Illuminating Engineering Society (IES).

## LINEAR LED LIGHT

Suspended Architecture Linear | 2.5" Aperture | Direct



### ORDERING GUIDE

<b>AE-SF-G5CA</b>			<b>010</b>	
<b>AE-SF-G5CA</b> ERALUX G5 Linear Architectural Fixture  120-347V input voltage	<b>2   20</b> 2ft   20W   2,100lm <b>4   40</b> 4ft   40W   4,400lm <b>5   50</b> 5ft   50W   4,400lm <b>6   60</b> 6ft   60W   5,500lm <b>8   80</b> 8ft   80W   8,800lm <b>C</b> Continuous length increment of 1ft (Select or type the length then click on 'C')	<b>30/35/40<sup>1</sup></b> 3000/3500/4000K selectable <b>30/40/50</b> 3000/4000/5000K selectable	<b>010</b> 0-10V	<b>WH-GB</b> White <b>BK-GB</b> Black <b>SV-GB<sup>2</sup></b> Silver <b>GN-GB<sup>2</sup></b> Gun powder

Fixture Family	Length   Power		CCT	Control	Finish
<b>[BLANK]</b> No option <b>LDE1<sup>3</sup></b> Fade-to-Black down to 1% <b>EMBB<sup>4</sup></b> Emergency battery backup <b>1DIM<sup>5</sup></b> 1% Dimming	<b>-PU</b>	<b>[BLANK]</b> No Canopy <b>-C</b>	<b>[BLANK]</b>	<b>[BLANK]</b>	<b>[BLANK]</b> Standard polycarbonate <b>-P</b> Prime   Parabolic silver <b>-PS</b> Prime Shadow   Parabolic Black <b>-DL</b> 0.5" Drop <b>-WW</b> Wall Wash <b>-BW</b> Batwing
	<b>-PU18</b>		<b>-W18</b>		
	<b>-PH</b>				
	<b>-PH18</b>				

Option	Power Cord	Canopy	Aircraft Cable	Diffuser
--------	------------	--------	----------------	----------

#### REFER BELOW FOR DETAILED DESCRIPTION FOR SUSPENSIONS KIT

<b>-PU</b>	8ft power cord 120-277V   8ft aircraft cable	<b>-PU18-W18</b>	18ft power cord 120-277V   18ft aircraft cable
<b>-PU-C</b>	8ft power cord 120-277V   8ft aircraft cable   2 pieces of 5-inch canopies	<b>-PU18-C-W18</b>	18ft power cord 120-277V   18ft aircraft cable   2 pieces of 5-inch canopies
<b>-PH</b>	8ft power cord 120-347V   8ft suspension wires	<b>-PH18-W18</b>	18ft power cord 120-347V   18ft suspension wires
<b>-PH-C</b>	8ft power cord 120-347V   8ft aircraft cable   2 pieces of 5-inch canopies	<b>-PH18-C-W18</b>	18ft power cord 120-347V   18ft aircraft cable   2 pieces of 5-inch canopies

- NOTES**
- Default CCT setting is 3500K but can be changed upon request before shipping.
  - Only available with Polycarbonate diffusers
  - LDE1 is a Lutron Hi-lume EcoSystem driver with Soft-on, it requires color selection if not the default CCT, 3500K.
  - EMBB option available in 120-277V only.
  - 1DIM available only in 120-277V, it works for 4,5,6,8 FT
- CAUTION**
- If there are multiple fixtures connected to the same 0-10V dimming line, a 0-10V controller must be considered to enable consistent dimming across the fixtures. Failure to do so will lead to inconsistent dimming and behaviors in the fixtures. Single switch is not recommended for controlling multiple fixtures simultaneously.
  - Maximum of 300W per electrical drop.

## LINEAR LED LIGHT

Suspended Architecture Linear | 2.5" Aperture | Direct

### ORDERING GUIDE – CUSTOM DESIGN

<b>AE-SF-G5-</b>					<b>-010</b>	
<b>AE-SF-G5-</b> ERALUX G5 Suspended Architectural Linear Fixture	Specify dimension of S1 (Select or type the length)	- Specify dimension of S2 (Select or type the length)	<b>-R</b> Rectangular shape <b>-L</b> L-shape <b>-T</b> T-shape <b>-X</b> X-shape <b>-HEX</b> Hexagonal-shape	<b>30/35/40<sup>1</sup></b> 3000/3500/4000K selectable <b>30/40/50</b> 3000/4000/5000K selectable	<b>-010</b> 0-10V	<b>WH-GB</b> White <b>BK-GB</b> Black

Fixture Family	Side 1	Side 2	Design	CCT	Controls	Finish
<b>Rectangle</b>			<b>X - Shape</b> 	<b>L - Shape</b> 	<b>T - Shape</b> 	<b>Hexagon</b> 
For square, S1 equal to S2. S1 & S2 ≥ 2FT			Symmetrical sides	For equal sides, S1 equal to S2.	Symmetrical side	For Hexagon, All sides are equal to S1 ≥ 2FT

#### NOTES

- Only available with Polycarbonate diffusers
- For more complex designs, contact factory
- The precise dimensions will be provided by factory upon request or refer to the dimensions in page 6.

### ORDERING GUIDE – TRIAC Dimming

<b>AE-SF-G5CA</b>			<b>-TRI</b>	
ERALUX G5 Linear Architectural Fixture	<b>2   15</b> 2ft   20W   3,150lm <b>4   40</b> 4ft   40W   5,250lm <b>8   80</b> 8ft   80W   10,500lm	<b>30</b> 3000K <b>35</b> 3500K <b>40</b> 4000k	<b>-TRI</b> TRIAC Dimming	<b>-WH</b> White <b>-BK</b> Black
Fixture Family	Length   Power	CCT	Controls	Finish

#### CAUTION:

- If there are multiple fixtures connected to the same 0-10V dimming line, a 0-10V controller must be considered to enable consistent dimming across the fixtures. Failure to do so will lead to inconsistent dimming and behaviors in the fixtures. Single switch is not recommended for controlling multiple fixtures simultaneously.
- Maximum of 300W per electrical drop.

## LINEAR LED LIGHT

Suspended Architecture Linear | 2.5" Aperture | Direct

### LUMEN OUTPUT

LENGTH	EFFICACY	OUTPUT POWER	
2FT	Avg 110 lm/w 1100 lm/ft	15/20 watts witchable	15W   1650 lm
			20W   2200 lm
4FT		30/40 watts switchable	30W   3300 lm
			40W   4400 lm
5FT		35/50 watts switchable	35W   3850 lm
			50W   5500 lm
6FT		35/50/60 watts switchable	35W   3850 lm
			50W   5500 lm
	60W   6600 lm		
8FT	60/80 watts switchable	60W   6600 lm	
		80W   8800 lm	

### DLC MODEL



DLC MODEL	PRODUCT ID
AE-SF-G5CA22030-35-40010YY-GB	S-JTCRUD
AE-SF-G5CA44030-35-40010YY-GB	S-ACNDT2
AE-SF-G5CA87030-35-40010YY-GB	S-09HDJM

### DIMMER COMPATIBILITY LIST

0-10V Dimming

BRAND	MODEL	BRAND	MODEL
LEVITON	IP710-LFZ	LEGRAND	RH4FBL3PTC
	DS710	EATON	WBSD-010SLD
LUTRON	DVS7V-WH	HUBBLE	LHDIRS3N
	MS-Z101		

## LINEAR LED LIGHT

Suspended Architecture Linear | 2.5" Aperture | Direct

### DIMENSIONS

#### Fixture

SIZE	TOP/BOTTOM VIEW	SIDE VIEW
2FT		
4FT		
6FT		
8FT		

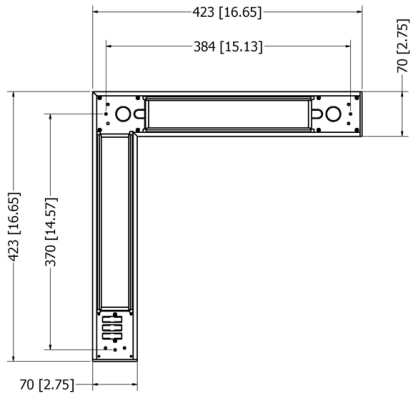
## LINEAR LED LIGHT

Suspended Architecture Linear | 2.5" Aperture | Direct

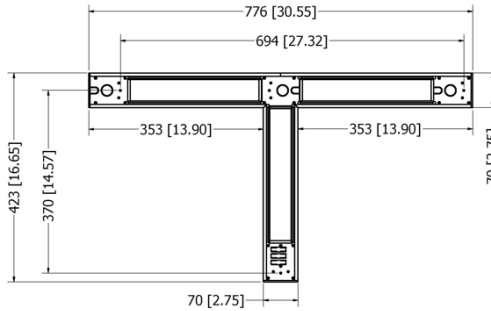
### DIMENSIONS Custom Design

#### SHAPES

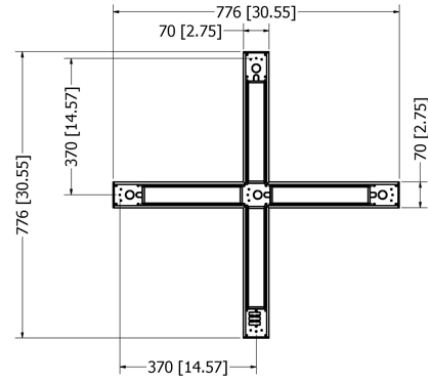
**L-SHAPE**  
AE-SF-G5-1-1-L



**T-SHAPE**  
AE-SF-G5-1-1-T

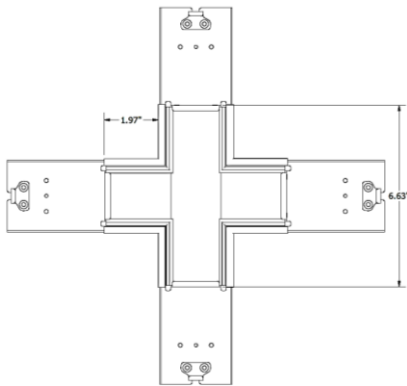


**X-SHAPE**  
AE-SF-G5-1-1-X

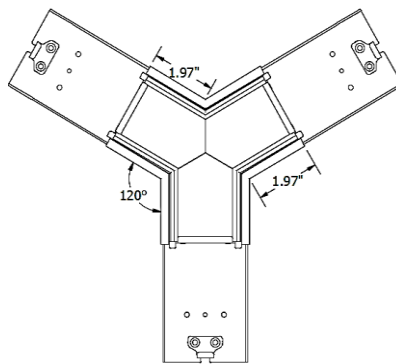


#### LIT JOINERS

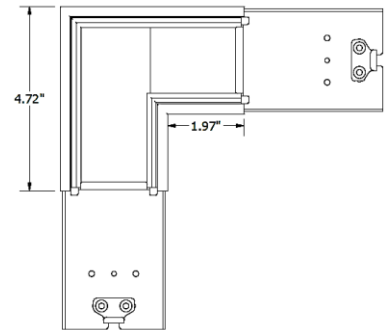
**X-JOINER**



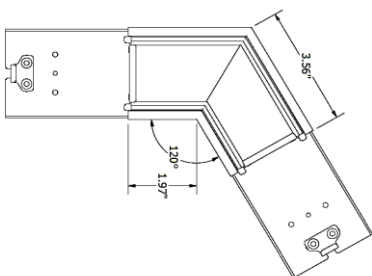
**Y-JOINER**



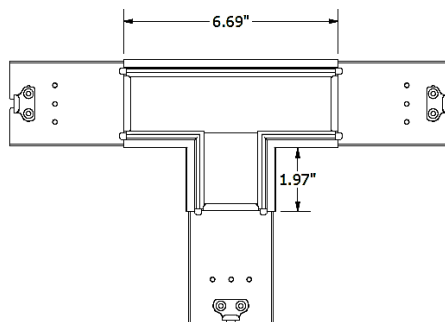
**L-JOINER**



**V-JOINER**



**T-JOINER**



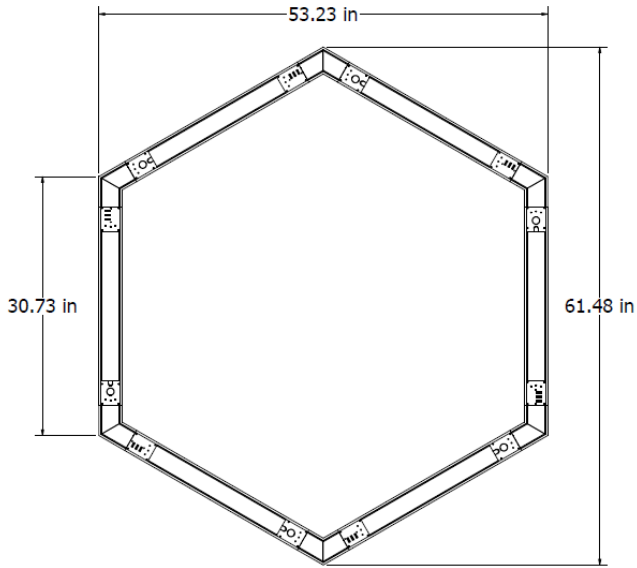
## LINEAR LED LIGHT

Suspended Architecture Linear | 2.5" Aperture | Direct

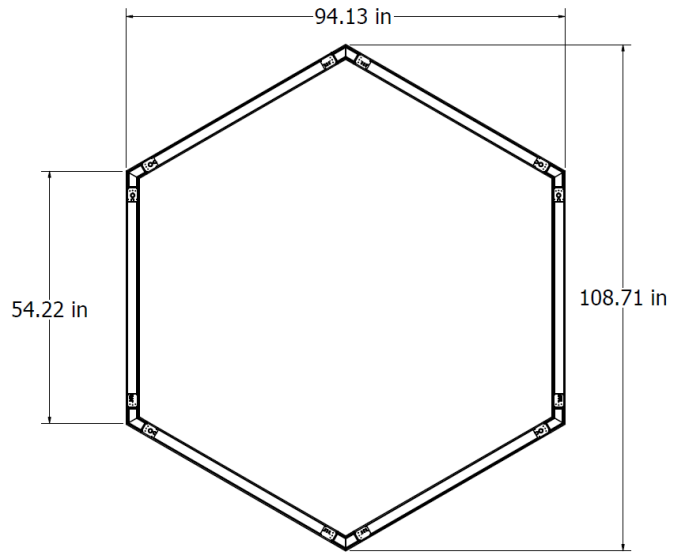
### DIMENSIONS Hexagon shapes

#### Hexagon Dimensions

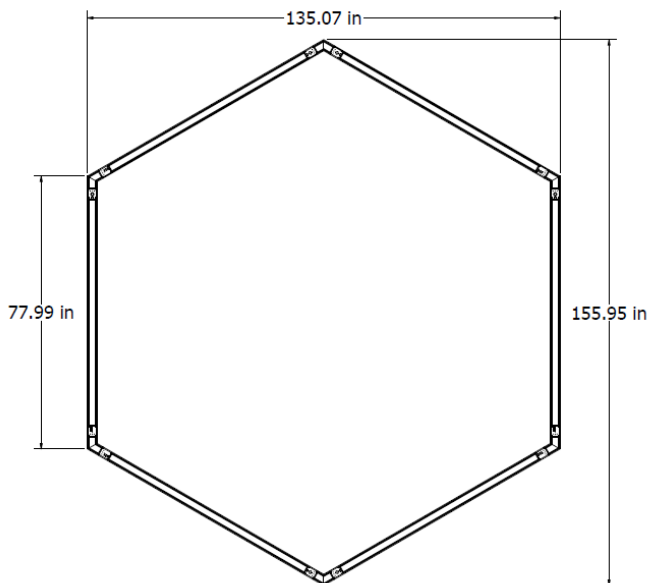
#### 2 FT



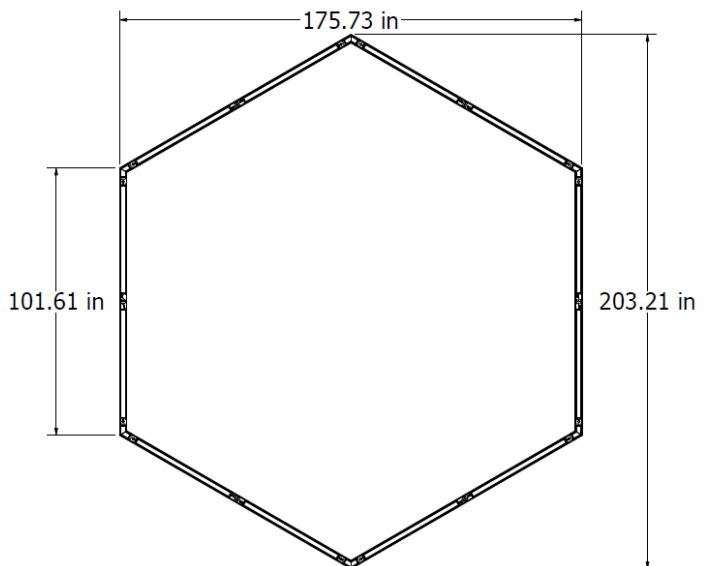
#### 4 FT



#### 6 FT



#### 8 FT



## LINEAR LED LIGHT

Suspended Architecture Linear | 2.5" Aperture | Direct

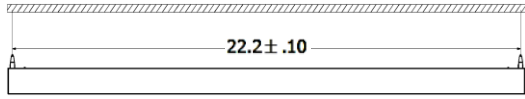
### DRILLING PATTERN

SIZE

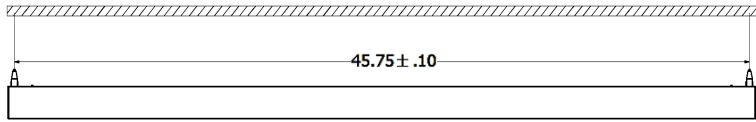


STAND ALONE INSTALLATION

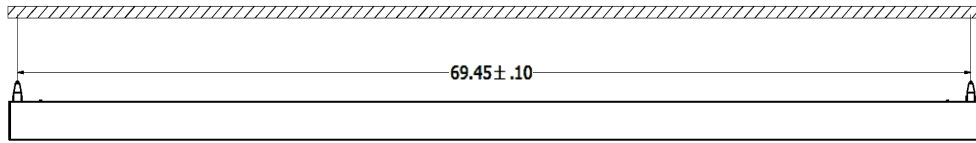
2FT



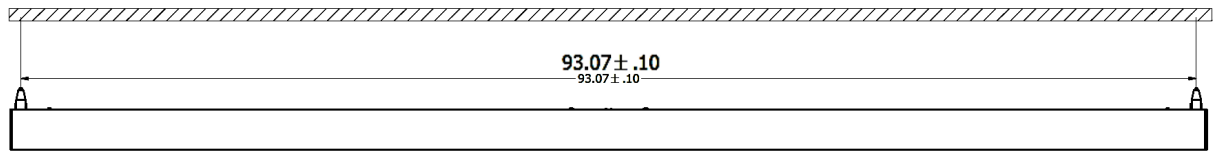
4FT



6FT



8FT

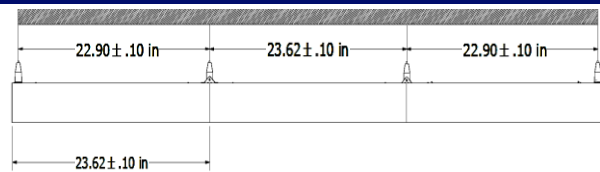


SIZE

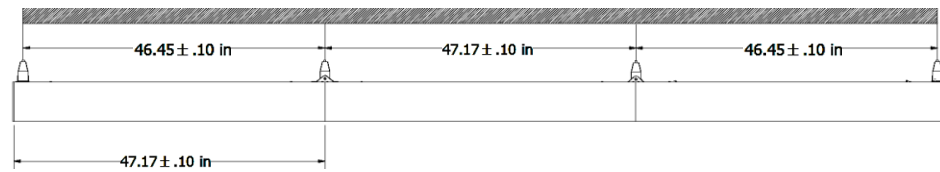


CONTINUOUS RUN INSTALLATION

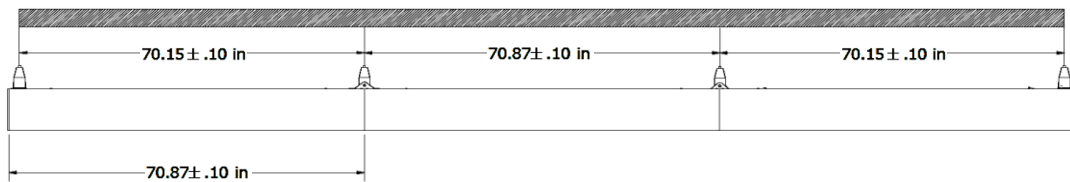
2FT



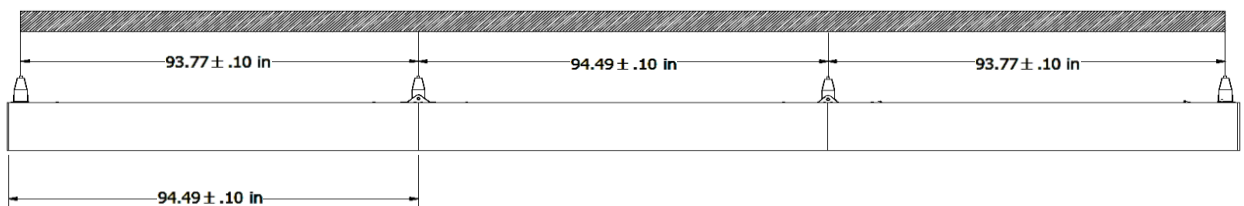
4FT



6FT



8FT





## LINEAR LED LIGHT

Suspended Architecture Linear | 2.5" Aperture | Direct

### ACCESSORIES FOR SUSPENDED

Ordered separately if needed

#### POWER CORD

ORDER CODE	DESCRIPTION	PICTURE
AE-SF-PWRCORD-WH AE-SF-PWRCORD-BK	8' white / black power cord with 120-277V input voltage	
AE-SF-PWRCORD-WH-18FT AE-SF-PWRCORD-BK-18FT	18' white / black power cord with 120-277V input voltage	
AE-SF-PWRCORD-HV-WH AE-SF-PWRCORD-HV-BK	8' white / black power cord with 120-347V input voltage	
AE-SF-PWRCORD-WH-18FT AE-SF-PWRCORD-BK-18FT	18' white / black power cord with 120-277V input voltage	

#### CANOPY

ORDER CODE	DESCRIPTION	PICTURE
AE-SF-CANOPY-WH-5IN AE-SF-CANOPY-BK-5IN	2 pieces per set   white / black   5" canopy 0.8" thickness One for power cord/aircraft cable and one for aircraft cable	
AE-SF-CANOPY-WH-5IN-SUSP AE-SF-CANOPY-BK-5IN-SUSP	1 piece   white / black 5" canopy 0.8" thickness for aircraft cable	
AE-SF-CANOPY-WH-ELITE AE-SF-CANOPY-BK-ELITE	2 pieces per set   white / black 5" canopy 0.3" thickness ; One for power cord/aircraft cable and one for aircraft cable	

#### AIRCRAFT CABLE

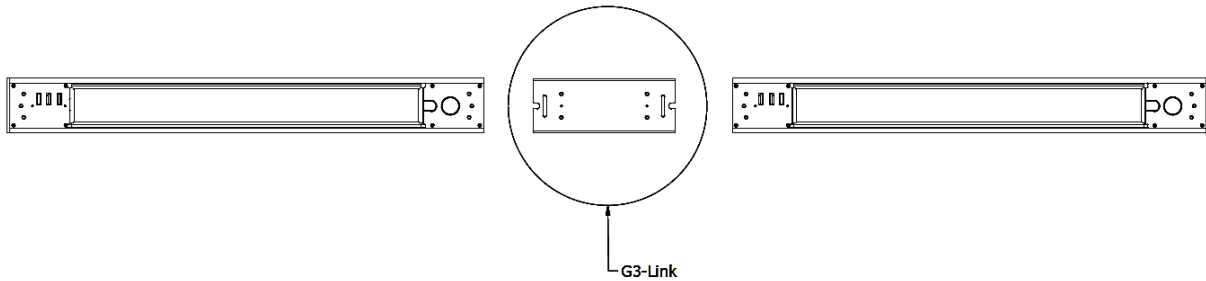
ORDER CODE	DESCRIPTION	PICTURE
AE-SF-G5/SPT-WIRE-8FT	8ft aircraft cable   2 pieces per set   1 set / fixture	
AE-SF-G5/SPT-WIRE-18FT	18ft aircraft cable   2 pieces per set   1 set / fixture	

## LINEAR LED LIGHT

Suspended Architecture Linear | 2.5" Aperture | Direct

### ACCESSORIES

#### For Continuous Run



#### G3-LINK

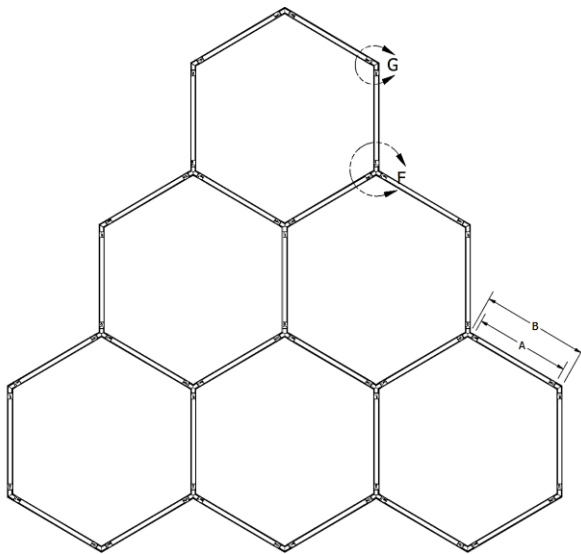
##### ORDER CODE

AE-SF-LINK-G3

##### DESCRIPTION

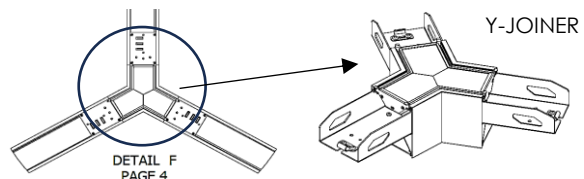
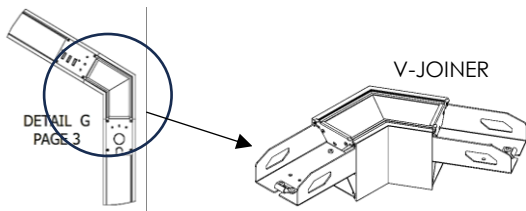
Seamless mechanical connection for continuous runs  
Preventing Light Leakage  
Easy installation

#### For Honeycomb Design | Lit Joiners



#### LIT JOINERS

LIT JOINERS				DESCRIPTION
Family	Shape	CCT	Finish	
AE-SF-SPT/G5	-V	-30/35/40	-LJ-KIT-WH	Seamless mechanical connection for custom designs Preventing Light Leakage Easy installation
	-X			
	-T	-30/40/50	-LJ-KIT-BK	
	-L			



## LINEAR LED LIGHT

Suspended Architecture Linear | 2.5" Aperture | Direct

### DIFFUSER OPTIONS

#### Drop Lens

##### Code

##### Description

##### Pictures

**AE-SF-G5/SPT-Drop Lens-0.5 inch-XFT-WH**  
**AE-SF-G5/SPT-Drop Lens-0.5 inch-XFT-BK**  
 (X=2, 4, 6 or 8)

Highly durable frosted polycarbonate lens provide a side glowing with crisp corners visible at distance. This drop lens gives a 3D look to the light that will enliven your space and adding wider spread to the surrounding. The drop lens is available for all continuous sizes; 2FT, 4FT, 6FT, and 8FT. And for white and black finishes. 23% lumens less. 0.5" thickness.



#### Wall Wash Lens

##### Code

##### Description

##### Pictures

**AE-SF-G5/SPT-XFT-WW-KIT-WH**  
**AE-SF-G5/SPT-XFT-WW-KIT-BK**  
 (X=2, 4, 5, 6 or 8)

The wall washing is a feature where the luminaire is typically positioned at least 12" from the wall to enhance the smoothness of a wall by eliminating shadows or to highlight a wall to create visual interest. The wall wash lens is available for all continuous sizes; 2FT, 4FT, 5FT, 6FT, and 8FT. And for white and black finishes.



#### Batwing Lens

##### Code

##### Description

##### Pictures

**AE-SF-G5/SPT-XFT-BW-KIT**  
 (X= 2, 4, 6 or 8)

The batwing lens helps achieve a wide, uniform beam spread, often in a batwing-shaped pattern, which is ideal for applications where broad, even illumination is needed. The batwing lens is available for all continuous sizes; ; 2FT, 4FT, 6FT, and 8FT. 10% less lumens.



#### Prime lens

##### Description

##### Pictures

The Prime features a parabolic silver louver that offers outstanding light shielding and an attractive, crisp visual texture. Its parabolic blade design, along with side reflectors, effectively directs light, enhancing brightness and efficiency in lighting applications. The prime delivers a modern, sleek look, making them suitable for contemporary spaces. Efficacy ~90Lm/W & UGR: 13.9 - 15.7  
 Prime is available for all continuous sizes; 2FT, 4FT, 6FT, and 8FT. And for white and black finishes.



#### Prime Shadow lens

##### Description

##### Pictures

The Prime Shadow features a parabolic black louver that offers outstanding light shielding and an attractive, crisp visual texture. Its black parabolic blade design, along with side reflectors, effectively reduce glare by absorbing more light. Black louvers can create a more dramatic or industrial aesthetic, fitting well in specific design contexts. Efficacy ~55Lm/W & UGR: 18.3 - 20.4  
 Prime shadow is available for all continuous sizes; 2FT, 4FT, 6FT, and 8FT. And for white and black finishes.



## LINEAR LED LIGHT

Suspended Architecture Linear | 2.5" Aperture | Direct

### CONTROLS

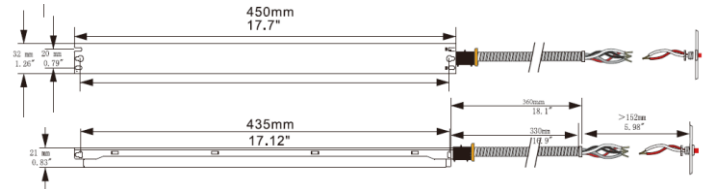
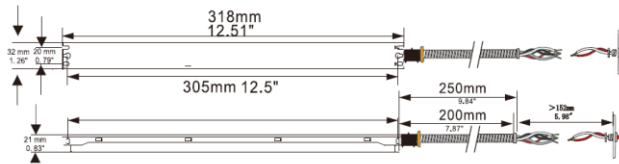
#### EMERGENCY LED DRIVER (BLD-YTXXD-XXX)

BLD-YT08D-XXX

BLD-YT15D-XXX



The BLD-YTXXD-XXX series LED Emergency Driver is UL listed for field and factory installations. It switches to emergency mode during power failures, providing up to 90 minutes of lighting. With an integrated battery, charger, and converter, it delivers 8 or 15W constant power at 30-60VDC. Its slim shape is ideal for use in linear LED lighting fixtures.



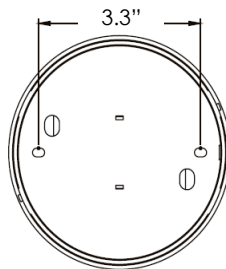
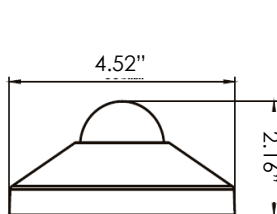
SPECIFICATIONS	
Input Voltage	30-60VDC
Power Frequency	50/60HZ
Output Voltage	30-60VDC
Output Power	8W   15W
Ambient Temperature	0°C to 50°C
	30°F to 122°F
Installation	Integrated

### ROOM OCCUPANCY SENSOR

Ordered separately, field installed

PART NUMBER	DESCRIPTION
AE-CT-DT806	Detecta - Room Occupancy Sensor
RC102	RC102 Remote Control

SPECIFICATIONS	
Input Voltage	120-277 Vac
Power Frequency	50/60HZ
Rated Load	At 120 Vac 800W
	At 277 Vac 1200W
Detection Range	3-10 Meters
	9.8- 32.8 Feet
Standby Power	~0.9W
Time Setting	10 sec to 30 min
Light Control	10-2,000LUX
Installation	Ceiling Mounted



## LINEAR LED LIGHT

Suspended Architecture Linear | 2.5" Aperture | Direct

### PHOTOMETRIC DATA

PART NUMBER		ZONAL LUMEN SUMMARY			POLAR LUMINOUS INTENSITY	CONE DISTRIBUTION			
AE-SF-G5CA220		Zone	Lumens	% Fixture	Direct Light	Center Beam Fc		Beam Width	
Wattage	20W	0-20°	294.61	12.90		1.7ft	280 fc	5.0 ft	4.8 ft
CCT	4000K	0-30°	623.47	27.20		3.3ft	74.3 fc	9.7 ft	9.3 ft
Distribution	120°	0-40°	1017.77	44.40		5.0ft	32.4 fc	14.8 ft	14.0 ft
Length	2ft	0-60°	1789.99	78.10		6.7ft	18 fc	19.8 ft	18.8 ft
		0-80°	2225.05	97.10		8.3ft	11.7 fc	24.5 ft	23.3 ft
		0-90°	2265.42	98.90		10.0ft	8.09 fc	29.5 ft	28.1 ft
						■ Vert. Spread: 111.7° ■ Horiz. Spread: 109.1°			

PART NUMBER		ZONAL LUMEN SUMMARY			POLAR LUMINOUS INTENSITY	CONE DISTRIBUTION			
AE-SF-G5CA440		Zone	Lumens	% Fixture	Direct Light	Center Beam Fc		Beam Width	
Wattage	40W	0-20°	525.87	12.9		1.7ft	500 fc	5.0 ft	4.8 ft
CCT	4000K	0-30°	1112.9	27.2		3.3ft	133 fc	9.7 ft	9.3 ft
Distribution	120°	0-40°	1816.72	44.4		5.0ft	57.8 fc	14.8 ft	14.0 ft
Length	4ft	0-60°	3194.96	78.1		6.7ft	32.2 fc	19.8 ft	18.8 ft
		0-80°	3971.71	97.1		8.3ft	21 fc	24.5 ft	23.3 ft
		0-90°	4043.77	98.9		10.0ft	14.4 fc	29.5 ft	28.1 ft
						■ Vert. Spread: 111.7° ■ Horiz. Spread: 109.1°			

PART NUMBER		ZONAL LUMEN SUMMARY			POLAR LUMINOUS INTENSITY	CONE DISTRIBUTION			
AE-SF-G5CA660		Zone	Lumens	% Fixture	Direct Light	Center Beam Fc		Beam Width	
Wattage	60W	0-20°	751.25	12.9		1.7ft	714 fc	5.0 ft	4.8 ft
CCT	4000K	0-30°	1589.85	27.2		3.3ft	189 fc	9.7 ft	9.3 ft
Distribution	120°	0-40°	2595.32	44.4		5.0ft	82.5 fc	14.8 ft	14.0 ft
Length	6ft	0-60°	4564.23	78.1		6.7ft	46 fc	19.8 ft	18.8 ft
		0-80°	5673.88	97.1		8.3ft	29.9 fc	24.5 ft	23.3 ft
		0-90°	5776.82	98.9		10.0ft	20.6 fc	29.5 ft	28.1 ft
						■ Vert. Spread: 111.7° ■ Horiz. Spread: 109.1°			

PART NUMBER		ZONAL LUMEN SUMMARY			POLAR LUMINOUS INTENSITY	CONE DISTRIBUTION			
AE-SF-G5CA880		Zone	Lumens	% Fixture	Direct Light	Center Beam Fc		Beam Width	
Wattage	80W	0-20°	981.56	12.90		1.7ft	933 fc	5.0 ft	4.8 ft
CCT	4000K	0-30°	2077.26	27.20		3.3ft	248 fc	9.7 ft	9.3 ft
Distribution	120°	0-40°	3390.97	44.40		5.0ft	108 fc	14.8 ft	14.0 ft
Length	8ft	0-60°	5963.5	78.10		6.7ft	60 fc	19.8 ft	18.8 ft
		0-80°	7413.33	97.10		8.3ft	39.1 fc	24.5 ft	23.3 ft
		0-90°	7547.83	98.90		10.0ft	27 fc	29.5 ft	28.1 ft
						■ Vert. Spread: 111.7° ■ Horiz. Spread: 109.1°			

## LINEAR LED LIGHT

Suspended Architecture Linear | 2.5" Aperture | Direct

### PHOTOMETRIC DATA - DIFFUSER

PART NUMBER		ZONAL LUMEN SUMMARY			POLAR LUMINOUS INTENSITY	CONE DISTRIBUTION			
AE-SF-G5CA44030/35/40X-DL		Zone	Lumens	% Fixture	Direct Light	Center Beam Fc		Beam Width	
Wattage	40W	0-20°	420.45	11.9		2.5ft	186 fc	6.5 ft	7.2 ft
CCT	4000K	0-30°	882.52	24.9		5.0ft	46.6 fc	12.9 ft	14.5 ft
Distribution	120°	0-40°	1428.38	40.4		7.5ft	20.7 fc	19.4 ft	21.7 ft
Length	4ft	0-60°	2493.86	70.5		10.0ft	11.6 fc	25.8 ft	28.9 ft
<b>DROP LENS</b>		0-80°	3150.06	89		12.5ft	7.45 fc	32.3 ft	36.2 ft
		0-90°	3267.17	92.3		15.0ft	5.17 fc	38.7 ft	43.4 ft
						■ Vert. Spread: 104.5° ■ Horiz. Spread: 110.7°			

PART NUMBER		ZONAL LUMEN SUMMARY			POLAR LUMINOUS INTENSITY	CONE DISTRIBUTION			
AE-SF-G5CA45030/35/40X-WW		Zone	Lumens	% Fixture	Direct Light	Center Beam Fc		Beam Width	
Wattage	50W	0-20°	931.99	13.4		2.5ft	347 fc	3.5 ft	1.4 ft
CCT	4000K	0-30°	2174.46	31.3		5.0ft	86.8 fc	6.9 ft	2.8 ft
Distribution	120°	0-40°	3457.33	49.8		7.5ft	38.6 fc	10.4 ft	4.1 ft
Length	4ft	0-60°	4537.37	65.3		10.0ft	21.7 fc	13.9 ft	5.5 ft
<b>WALL WASH LENS</b>		0-80°	4827.69	69.5		12.5ft	13.9 fc	17.3 ft	6.9 ft
		0-90°	4850.9	69.8		15.0ft	9.65 fc	20.8 ft	8.3 ft
						■ Vert. Spread: 69.5° ■ Horiz. Spread: 30.9°			

PART NUMBER		ZONAL LUMEN SUMMARY			POLAR LUMINOUS INTENSITY	CONE DISTRIBUTION			
AE-SF-G5CA44030/35/40X-BW		Zone	Lumens	% Fixture	Direct Light	Center Beam Fc		Beam Width	
Wattage	40W	0-20	535.65	12.3		2.5ft	218 fc	6.4 ft	7.8 ft
CCT	4000K	0-30	1190.28	27.3		5.0ft	54.5 fc	12.8 ft	15.7 ft
Distribution	120°	0-40	2012.13	46.1		7.5ft	24.2 fc	19.2 ft	23.5 ft
Length	4ft	0-60	3636.75	83.3		10.0ft	13.6 fc	25.6 ft	31.4 ft
<b>BATWING</b>		0-80	4331.58	99.3		12.5ft	8.71 fc	32.1 ft	39.2 ft
		0-90	4358.16	99.9		15.0ft	6.05 fc	38.5 ft	47.0 ft
						■ Vert. Spread: 104.1° ■ Horiz. Spread: 115.0°			

## LINEAR LED LIGHT

Suspended Architecture Linear | 2.5" Aperture | Direct

### PHOTOMETRIC DATA - DIFFUSER

PART NUMBER		ZONAL LUMEN SUMMARY			POLAR LUMINOUS INTENSITY	CONE DISTRIBUTION			
AE-SF-G5CA44030/35/40X-P		Zone	Lumens	% Fixture	Direct Light	Center Beam Fc	Beam Width		
Wattage	40W	0-20°	967.59	27.6		2.5ft	178 fc	7.2 ft	6.9 ft
CCT	4000K	0-30°	1905.45	54.4		5.0ft	44.5 fc	14.4 ft	13.8 ft
Distribution	120°	0-40°	2736.19	78.2		7.5ft	19.8 fc	21.7 ft	20.7 ft
Length	4ft	0-60°	3454.72	98.7		10.0ft	11.1 fc	28.9 ft	27.6 ft
PRIME		0-80°	3483.38	99.5		12.5ft	7.11 fc	36.1 ft	34.5 ft
		0-90°	3485.56	99.6		15.0ft	4.94 fc	43.3 ft	41.5 ft

PART NUMBER		ZONAL LUMEN SUMMARY			POLAR LUMINOUS INTENSITY	CONE DISTRIBUTION			
AE-SF-G5CA44030/35/40X-PS		Zone	Lumens	% Fixture	Direct Light	Center Beam Fc	Beam Width		
Wattage	40W	0-20	523.96	23.4		2.5ft	233 fc	3.1 ft	5.1 ft
CCT	4000K	0-30	1069.19	47.8		5.0ft	58.4 fc	6.3 ft	10.3 ft
Distribution	120°	0-40	1601.34	71.6		7.5ft	25.9 fc	9.4 ft	15.4 ft
Length	4ft	0-60	2178.89	97.4		10.0ft	14.6 fc	12.5 ft	20.5 ft
PRIME SHADOW		0-80	2230.17	99.7		12.5ft	9.34 fc	15.6 ft	25.6 ft
		0-90	2231.01	99.8		15.0ft	6.49 fc	18.8 ft	30.8 ft

### LUMEN ESTIMATE

Lumen output varies based on CCT and CRI. An estimate of lumen output of the various CCT/CRI combinations, use correction factors as per table below:

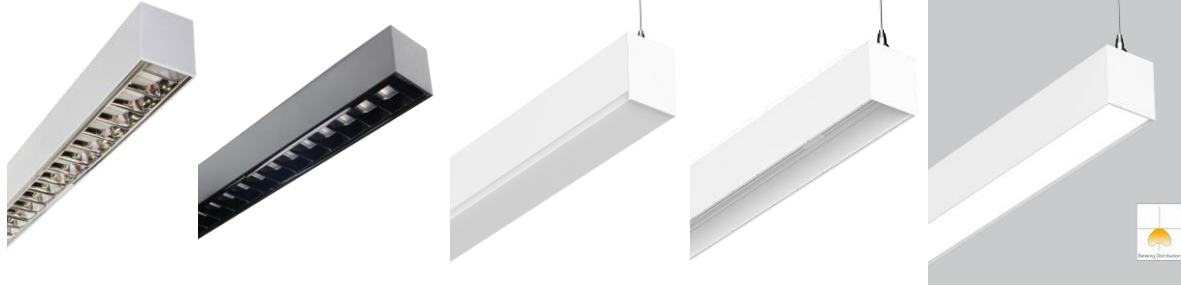
#### LUMEN ESTIMATE ADJUSTMENT FACTORS

CCT	3000K	3500K	4000K	5000K
PREMIUM (90CRI)	0.94	0.97	1	1.03

## LINEAR LED LIGHT

Suspended Architecture Linear | 2.5" Aperture | Direct

### OVERVIEW



### Innovative Design

- Extruded aluminum housing for better heat dissipation.
- Highly durable polycarbonate and high transmittance lens.



### Diffusers

- Polycarbonate lens
- Wall-wash lens
- 0.5-inch drop lens
- Batwing lens
- Black/silver parabolic louver

### Multiple Options

- Five standard length available; 2, 4, 5, 6, & 8ft.
- Three CCT switchable and power tunable.
- Black, white, silver, & gun powder finishes.



### Features

- 1% dimming option
- Lutron Hi-lume Ecosystem driver with Soft-on



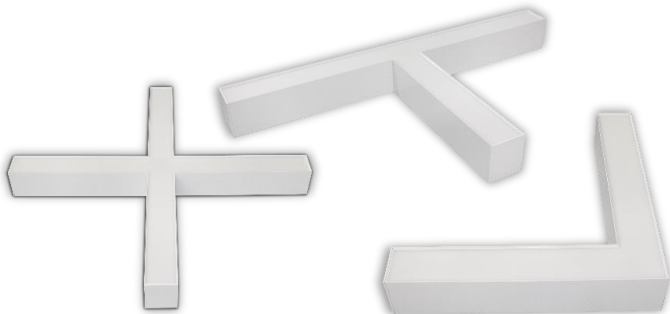
### Mountings Available

- Suspended
- Wall mount (refer to the wall mount spec sheet)
- Surface mount (refer to the surface mount spec sheet)
- Recessed T-grid (refer to the recessed T-grid spec sheet)



### Custom Design

- Continuous lens; increment of 2'
- L, T, X, & rectangular shapes
- Honeycomb design using Lit joiners



### Tests And Certifications

