

# GARDENA ULTIMATE

eralux®

## OUTDOOR LED LIGHT

### LANDSCAPE LIGHT | POWER-CCT ADJUSTABLE

The GARDENA ULTIMATE fixture combines high performance and durability with a die-cast housing and IP65 rating. It delivers uniform lighting for landscape and accent applications. With switchable CCT and power it offers versatile customization. Ideal for both residential and commercial projects. Built to withstand tough conditions for long-term reliability.

Application: Landscape, Architectural, Deck & patio, Pools & Security

	DATE	QTY	ACC. QTY	TYPE
PROJECT				
PN				
ACCESSORY PN				
NOTES				




#### DYNAMIC MENU

Order Information	<a href="#">Page 2</a>
Dimensions	<a href="#">Page 3</a>
Photometric Data	<a href="#">Page 4</a>

[Install Instruction link](#)

#### SPECIFICATIONS

Input Voltage	120-347 VAC
Power Factor	>0.9
Total Harmonic Distortion	<20%
Dimming	0-10V dimming
CRI	70 CRI
CCT	<div style="display: flex; gap: 10px;"> <div style="border: 1px solid black; border-radius: 50%; width: 20px; height: 20px; background-color: #fff9c4; display: flex; align-items: center; justify-content: center;">30K</div> <div style="border: 1px solid black; border-radius: 50%; width: 20px; height: 20px; background-color: #e0e0e0; display: flex; align-items: center; justify-content: center;">40K</div> <div style="border: 1px solid black; border-radius: 50%; width: 20px; height: 20px; background-color: #e0f2f1; display: flex; align-items: center; justify-content: center;">50K</div> </div>
Efficacy	~120 lm/W
Power	15/20/25W
Ambient Temperature Range	-40°C to 45°C
Mounting Options	Ground   Wall mount
Mounting Brackets	Ground spike   Round wall plate
Fixture Finish	Black   Bronze 
Controls	Integrated Photocell
Distribution	60°
Protection	IP65; Water and dust resistance IK08; impact resistance



#### PRODUCT FEATURES



#### PRODUCT CERTIFICATIONS



Design Lights Consortium® (DLC) qualified product. Not all versions of this product may be DLC qualified. Please check the DLC Qualified Products List at [www.designlights.org/QPL](http://www.designlights.org/QPL) to confirm which versions are qualified”

#### SYSTEM WARRANTY – 5 YEARS

Eralux will warrant defective drivers, LEDs and boards for 5 years from the date of purchase. This warranty is valid only if the fixture is installed and used as per installation guides and specifications. If a defect is present, Eralux will send drivers and boards at no fee with a thorough replacement instructions along with instructions on the return of the defective parts back to Eralux.

#### LUMEN MAINTENANCE – L85 at 50,000 hours

Rated for 85% initial lumen output at 50,000 hours of operation, operated at 25°C ambient temperature; per guidelines published by the Illuminating Engineering Society (IES).

## OUTDOOR LED LIGHT

LANDSCAPE LIGHT | POWER-CCT ADJUSTABLE



### ORDERING GUIDE

<b>AE-OD-GA</b>	<b>-25W</b>	<b>-CA</b>	<b>-TCP</b>	<b>-</b>
AE-OD-GA ERALUX GARDENA ULTIMATE LANDSCAPE LIGHTING	-25W Power Switch able 15W/20W/25W	-CA 120-347V	-TCP CCT Selectable 3000/4000/5000K	-BK Black -BZ Bronze

Fixture Family

Power

Input Voltage

CCT

Finish

#### NOTES

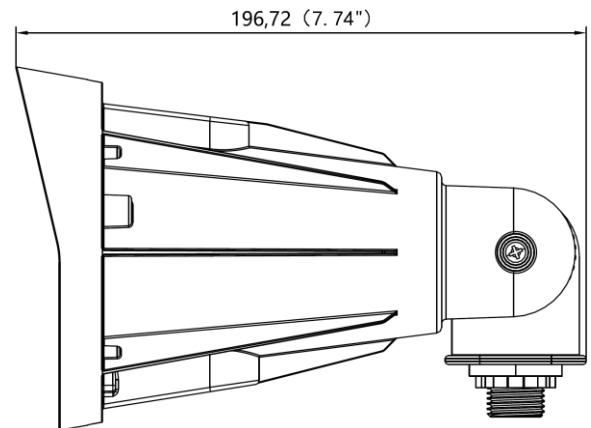
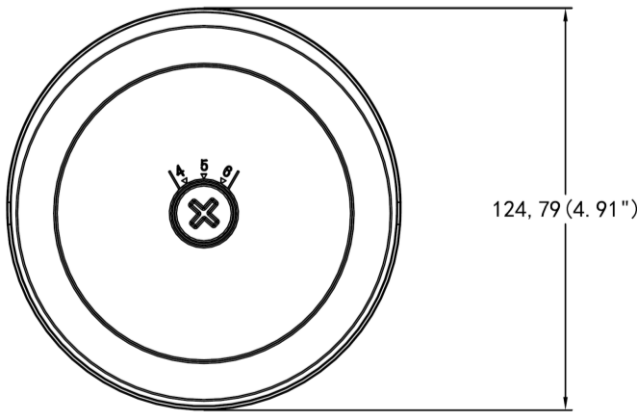
- Wall & ground mount both are provided as a package in one single SKU
- Integrated photocell ; can be turned on/off easily on field upon your request.

### DIMENSIONS

AE-OD-GA-25W-CA-TCP-XX

FRONT VIEW

SIDE VIEW



OUTDOOR LED LIGHT

LANDSCAPE LIGHT | POWER-CCT ADJUSTABLE

## MOUNTING OPTIONS

### INSTALLATION OPTIONS

#### Surface/ Wall Mount



#### Description

- $\varnothing 4\text{-}1/2\text{'}$  Round wall plate
- Single fixture mounting hole
- Bronze/Black finish

#### Ground Mount



#### Description

- $1\text{-}1/2\text{'}$  x  $6\text{-}3/4\text{'}$  Ground spike with feed-through hole for wiring
- $1/2\text{'}$  NPS Threaded Hubs
- Bronze/Black finish

## OUTDOOR LED LIGHT

LANDSCAPE LIGHT | POWER-CCT ADJUSTABLE

### LUMEN ESTIMATE

Lumen output varies based on CCT and CRI. An estimate of lumen output of the various CCT/CRI combinations, use correction factors as per table below:

LUMEN ESTIMATE ADJUSTMENT FACTORS			
CCT	3000K	4000K	5000K
70CRI	1	1.02	1.03

### PHOTOMETRIC DATA

PART NUMBER		ZONAL LUMEN SUMMARY			POLAR LUMINOUS INTENSITY
		Zone	Lumens	% Fixture	60°
<b>Wattage</b>	25W	0-20	973.49	32	
<b>Distribution</b>	60°	0-30	1708.4	56.2	
		0-40	2104.22	69.2	
		0-60	2462.46	80.9	
		0-80	2598.71	85.4	
		0-90	2606.62	85.7	

#### OVERVIEW



### Innovative Design

- Heavy-duty, die-cast aluminum tiltable knuckle base utilizes tooth-lock adjustment with visual 90-degree adjustment (Outward/Inward).



### Multiple Options

- CCT Switchable ;30/40/50K
- Black/ Bronze finish
- Power Switchable; 15/20/25W
- Integrated Photocell ; On/Off switchable on field



### Brackets

- Ground Spike
- Round wall plate



### Distribution

Beam angle 60°



### Mountings Available

- Ground Mount
- Wall mount



### Protection

- Protected against dust ingress.
- Protected against water jets
- Impact resistant



### Tests And Certifications



DLC MODEL	PRODUCT ID	TYPE
AE-OD-GA-25W-CA-TCP-[BK,BZ][Blank,(PT)]	S-YDQ8CZ	PREMIUM