

GENESYS

OUTDOOR LED LIGHT

Area | Site | Road Light

The GENESYS Series is an elegant area led light designed with multiple Power , CCT , Mounting and finish options which blends design, performance, and technology for a variety of applications. It suitable for harsh environment; water, dust and impact resistance, in addition to 20KV surge protector.

Applications: Auto Dealership | Retail | Commercial | Campus Parking Lots.

eralux®

	DATE	QTY	ACC. QTY	TYPE
PROJECT				
PN				
ACCESSORY PN				
NOTES				




DYNAMIC MENU

Order Information	Page 2
Dimensions	Page 3
Accessories	Page 4
Photometric Data	Page 6

[Install Instruction link](#)

SPECIFICATIONS

Input Voltage	120-277V 277-480V		
Power Factor	>0.9		
Total Harmonic Distortion	<20%		
Dimming Page 5	0-10V dimming		
CRI	70 CRI		
CCT	22K 30K 40K 50K		
Efficacy	~105 lm/W		
Power	80 100 150 200 240 300W		
Ambient Temperature Range	-40°C to 45°C		
Mounting Options	Wall Surface Pole mount		
Mounting Brackets	Slip fitter Direct Yoke		
Fixture Finish	Black White Aluminum Bronze 		
Controls	Motion Sensor Photocell		
Protection	IP65; water and dust resistance IK08; impact resistance 20KV surge protector		
Distribution	T2	T3N	T3R
	T3L	T4	T5



PRODUCT FEATURES



PRODUCT CERTIFICATIONS



Design Lights Consortium® (DLC) qualified product. Not all versions of this product may be DLC qualified. Please check the DLC Qualified Products List at www.designlights.org/QPL to confirm which versions are qualified" [page 9](#)

SYSTEM WARRANTY – 5 YEARS

Eralux will warrant defective drivers, LEDs and boards for 5 years from the date of purchase. This warranty is valid only if the fixture is installed and used as per installation guides and specifications. If a defect is present, Eralux will send drivers and boards at no fee with a thorough replacement instructions along with instructions on the return of the defective parts back to Eralux.

LUMEN MAINTENANCE – L70 at 50,000 hours

Rated for 70% initial lumen output at 50,000 hours of operation, operated at 25°C ambient temperature; per guidelines published by the Illuminating Engineering Society (IES).

OUTDOOR LED LIGHT

Area | Site | Road Light



ORDERING GUIDE

AE-OD-GY							
AE-OD-GY ERALUX GENESYS Outdoor Area Light	-80 80W 10,500lm	UV 120-277Vac	-D 0-10V Dimming	-22 2200K	-T2 Type 2	-A Slip Fitter	-BK Black
	-100 100W 13,500lm	HV 277-480Vac	-P Photocell	-30 3000K	-T3N Type 3 Forward	-B Direct Mount	-BZ Bronze
	-150 150W 20,250lm		-M1 Microwave Motion Sensor	-40 4000K	-T3L Type 3 Left	-C Yoke Mount	-WH White
	-200 200W 27,000lm			-50 5000K	-T3R Type 3 Right	-D No Mounting	-AL Aluminum
	-240 240W 32,400lm				-T4 Type 4		
	-300 300W 40,500lm				-T5 Type 5		

Fixture Family	Power	Voltage	Control	CCT	Distribution	Mounting	Finish
-----------------------	--------------	----------------	----------------	------------	---------------------	-----------------	---------------

NOTES

- Fixture is supplied with 3-Pin Receptable and shorting Cap by default.
- If other receptable is desired , please contact factory.
- Fixture has AUX base for the motion sensor for easy plug in installation



ORDERING GUIDE - ACCESSORIES

AE-OD-GY			
AE-OD-GY ERALUX GENESYS Outdoor Area Light	-OS Optical Back Shield	-60-150W Compatible with 80, 100, and 150W	-BK Black
		-200-300W Compatible with 200, 240, and 300W	-BZ Bronze

Accessory Family	Accessory	Power	Finish
-------------------------	------------------	--------------	---------------

AE-OD-RZ		
AE-OD-RZ ERALUX GENESYS Outdoor Area Light	-DI-UNV Universal direct mount Bracket	-BK Black
		-BZ Bronze

Accessory Family	Mounting	Finish
-------------------------	-----------------	---------------

NOTES

- Universal Direct Bracket can be used if holes are already made on the existing pole.

OUTDOOR LED LIGHT

Area | Site | Road Light

B-U-G RATING

POWER	DISTRIBUTION	B-U-G	POWER	DISTRIBUTION	B-U-G
80W	T2	B3-U3-G3	200W	T2	B4-U3-G4
	T3	B3-U2-G3		T3	B4-U3-G4
	T4	B3-U3-G3		T4	B4-U3-G4
	T5	B3-U3-G2		T5	B5-U3-G3
100W	T2	B3-U3-G3	240W	T2	B5-U3-G4
	T3	B3-U2-G3		T3	B4-U3-G4
	T4	B3-U2-G3		T4	B4-U3-G4
	T5	B4-U3-G2		T5	B5-U3-G3
120W	T2	B3-U3-G3	300W	T2	B5-U3-G5
	T3	B3-U3-G3		T3	B5-U3-G5
	T4	B4-U3-G4		T4	B4-U3-G4
	T5	B4-U3-G2		T5	B5-U3-G3
150W	T2	B3-U3-G3			
	T3	B4-U2-G4			
	T4	B4-U3-G4			
	T5	B4-U3-G2			

WEIGHT INFORMATION

POWER	ACCESSORY	WEIGHT	POWER	ACCESSORY	WEIGHT
100W	Slip Fitter	5.28Kg	200W	Slip Fitter	7.73Kg
	Direct bracket	5.61Kg		Direct bracket	8.053Kg
	Yoke mount	5.01Kg		Yoke mount	7.45Kg
150W	Slip Fitter	5.55Kg	300W	Slip Fitter	7.87Kg
	Direct bracket	5.87Kg		Direct bracket	8.19Kg
	Yoke mount	5.27Kg		Yoke mount	7.59Kg

EPA (Effective Projected Area)

POWER	ACCESSORY	EPA	POWER	ACCESSORY	EPA
100W 150W	Slip Fitter	0.5034FT2	200W 300W	Slip Fitter	0.626FT2
	Direct bracket	0.543FT2		Direct bracket	0.667FT2
	Yoke mount	0.459FT2		Yoke mount	0.585FT2



EPA=0.419537X1.2=0.5034



EPA=0.4521856X1.2=0.543



EPA=0.3821229X1.2=0.459



EPA=0.5219117X1.2=0.626



EPA=0.5553797X1.2=0.667

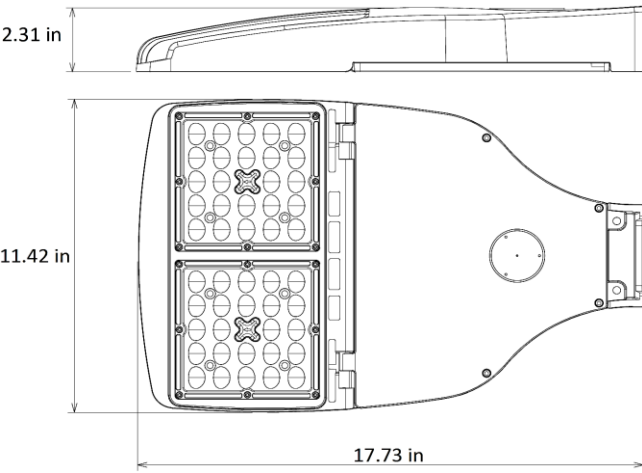


EPA=0.4871427X1.2=0.585

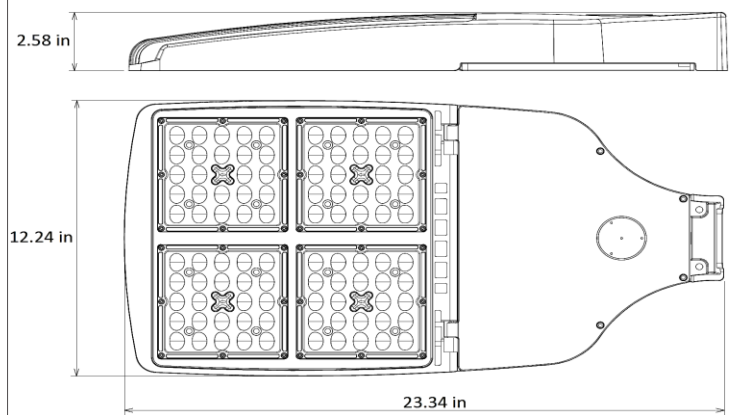
DIMENSIONS

WITHOUT BRACKET

80-100-150W

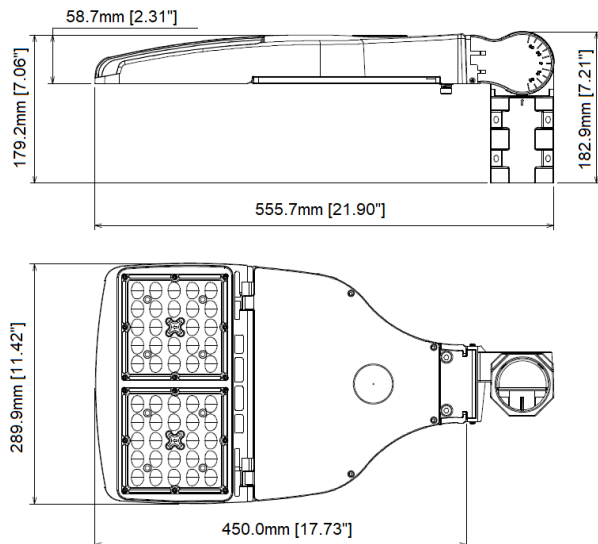


200-240-300W

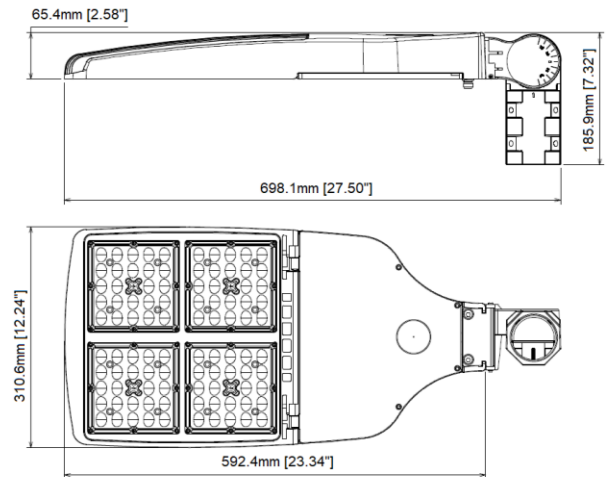


SLIP FITTER

80-100-150W



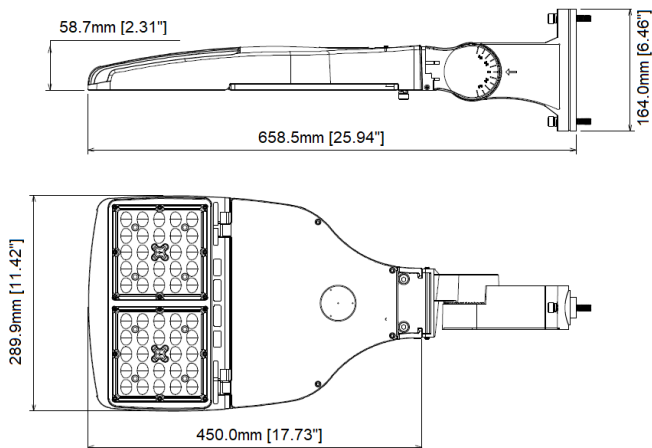
200-240-300W



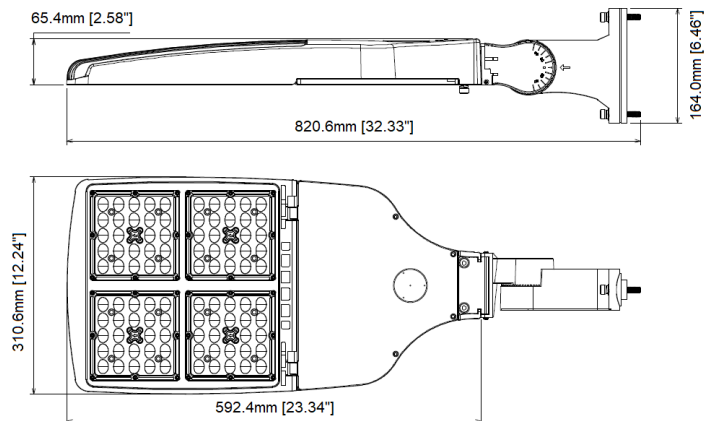
DIMENSIONS

DIRECT BRACKET

80-100-150W

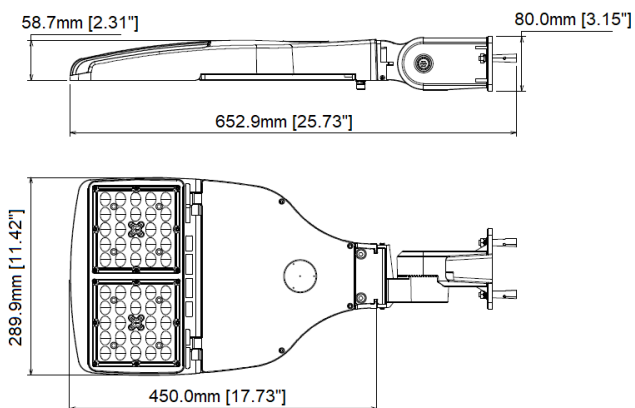


200-240-300W

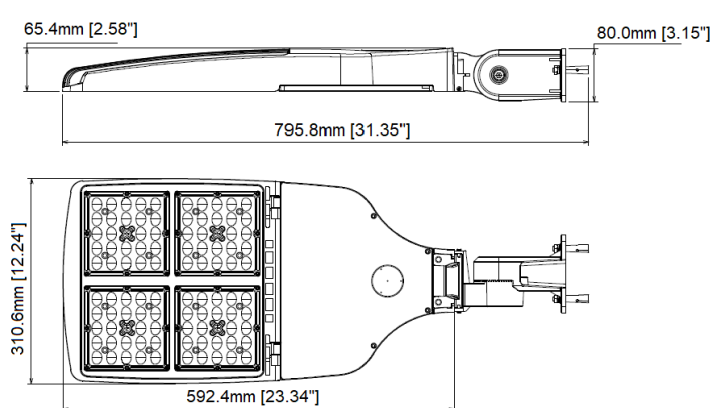


YOKE MOUNT

80-100-150W



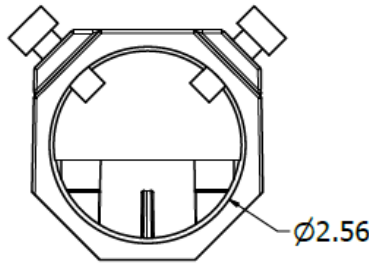
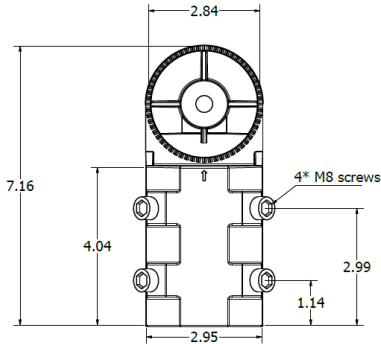
200-240-300W



BRACKETS DRILLING PATTERN

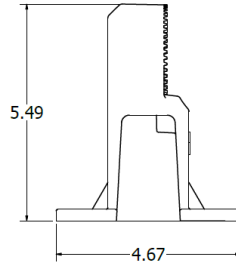
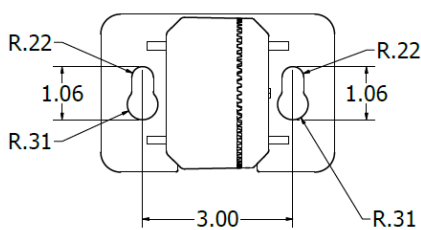
ADJUSTABLE SLIP FITTER

Installed on 2-3/8" round pole, Adjustable tilt $\pm 75^\circ$



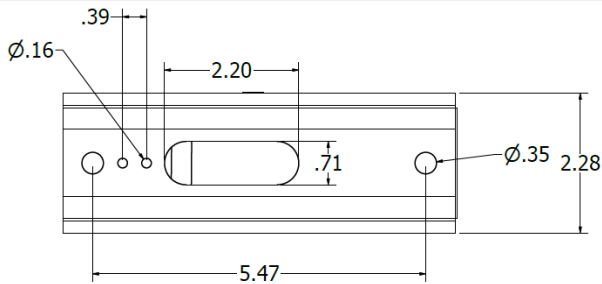
ADJUSTABLE YOKE MOUNT BRACKET

Installed on surface, wall or square pole, Adjustable tilt $\pm 75^\circ$



ADJUSTABLE DIRECT MOUNT BRACKET

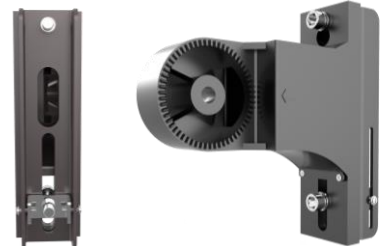
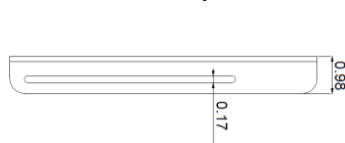
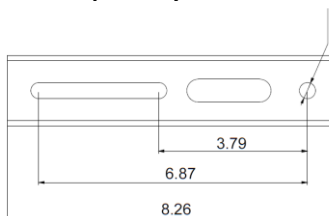
Installed on surface, wall, round or square pole, Adjustable tilt $\pm 75^\circ$



UNIVERSAL DIRECT MOUNT BRACKET

Installed on surface, wall, round or square pole, Adjustable tilt $\pm 75^\circ$

Ordered separately if needed; AE-OD-RZ-DI-UNV-BK | AE-OD-RZ-DI-UNV-BZ



ACCESSORIES

OPTICAL SHIELD

Code	Description	Picture
AE-OD-GY-OS-60-150W-BK AE-OD-GY-OS-60-150W-BZ	4" depth optical shield designed to reduce glare and light spill; blocking the light either forward or backward	
AE-OD-GY-OS-200-300W-BK AE-OD-GY-OS-200-300W-BZ	This helps to minimize light pollution by directing light downward or toward specific areas. Lumen decrease ~30%	

Installation

Back Shield		
Forward Shield		

OUTDOOR LED LIGHT

Area | Site | Road Light

CONTROL

PHOTOCELL

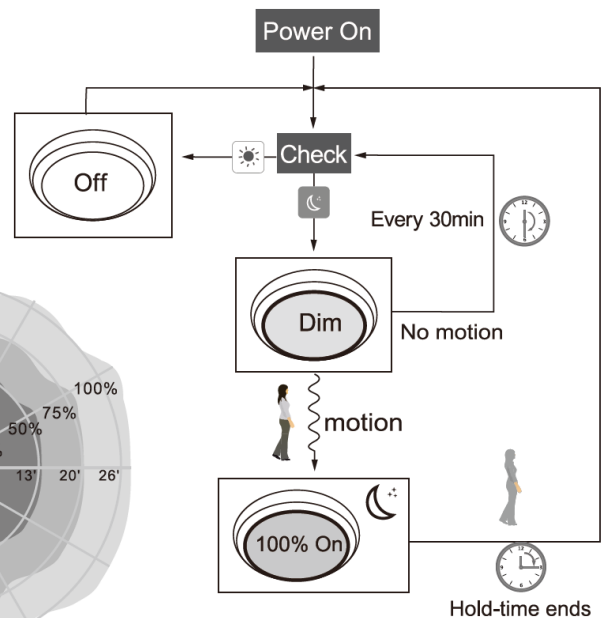
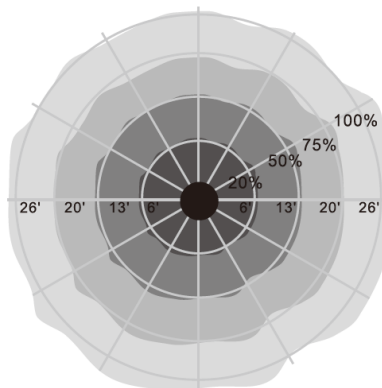
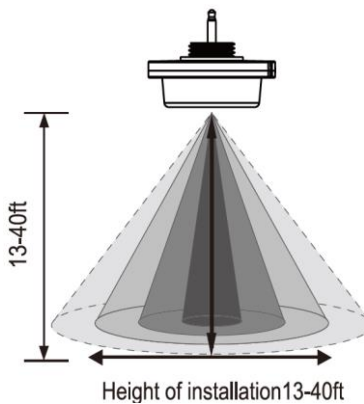
ORDER CODE	DESCRIPTION	PICTURE
AE-OD-RZ-PHOTOCELL-HV	High volage photocell 277-480V	
AE-OD-RZ-PHOTOCELL-UV	Low volage photocell 120-277V	

MOTION SENSOR

ORDER CODE	DESCRIPTION	PICTURE
AE-OD-GY-MOTIONSENSOR	Plug in microwave motion sensor	
AE-OD-GY-MOTIONSENSOR-RMT	Remote control for motion sensor	

Microwave sensor

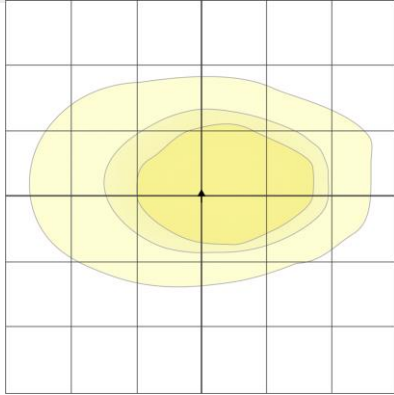
- The light switches on at 100% when there is movement detected in a selected range
- Light dims for a stand-by time after the hold time finishes.
- The light can stay on at dimming level in dark



DISTRIBUTION

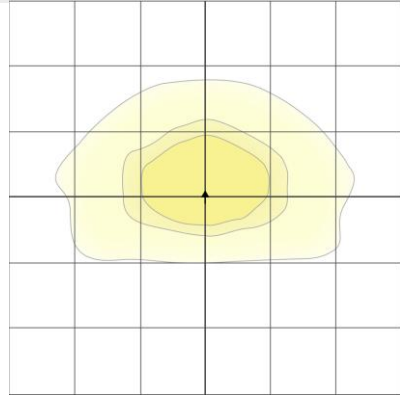
T2

Wide, more asymmetric illuminance



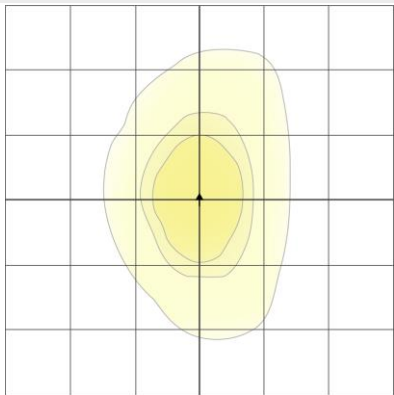
T3N

Wide slightly forward asymmetric illuminance pattern



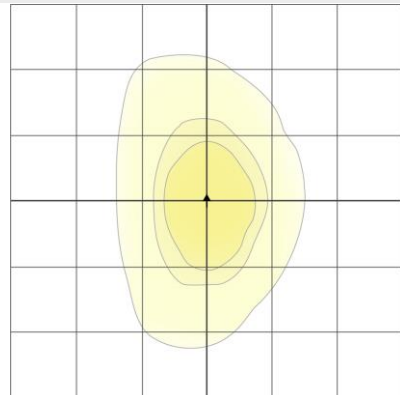
T3L

Wide slightly forward asymmetric illuminance to the left



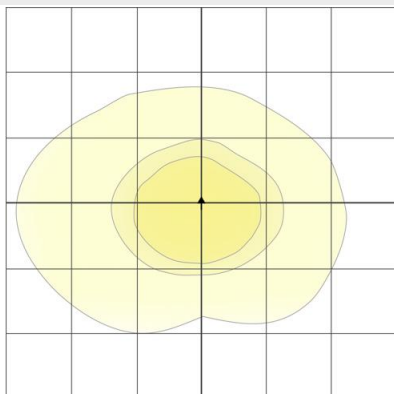
T3R

Wide slightly forward asymmetric illuminance to the right



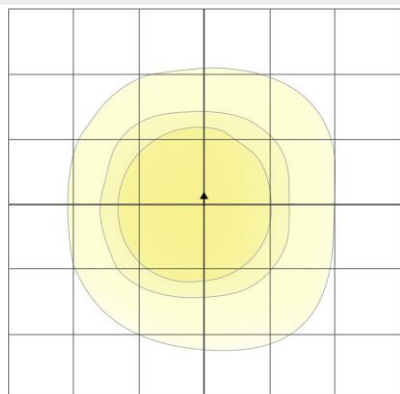
T4

Wide more forward asymmetric illuminance pattern



T5

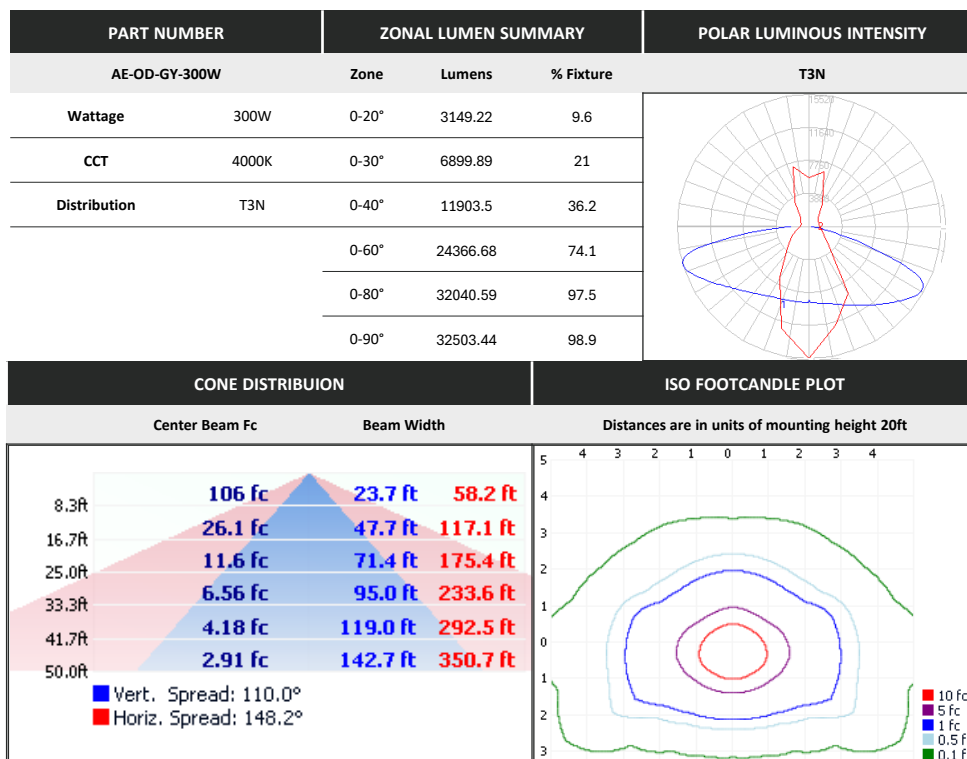
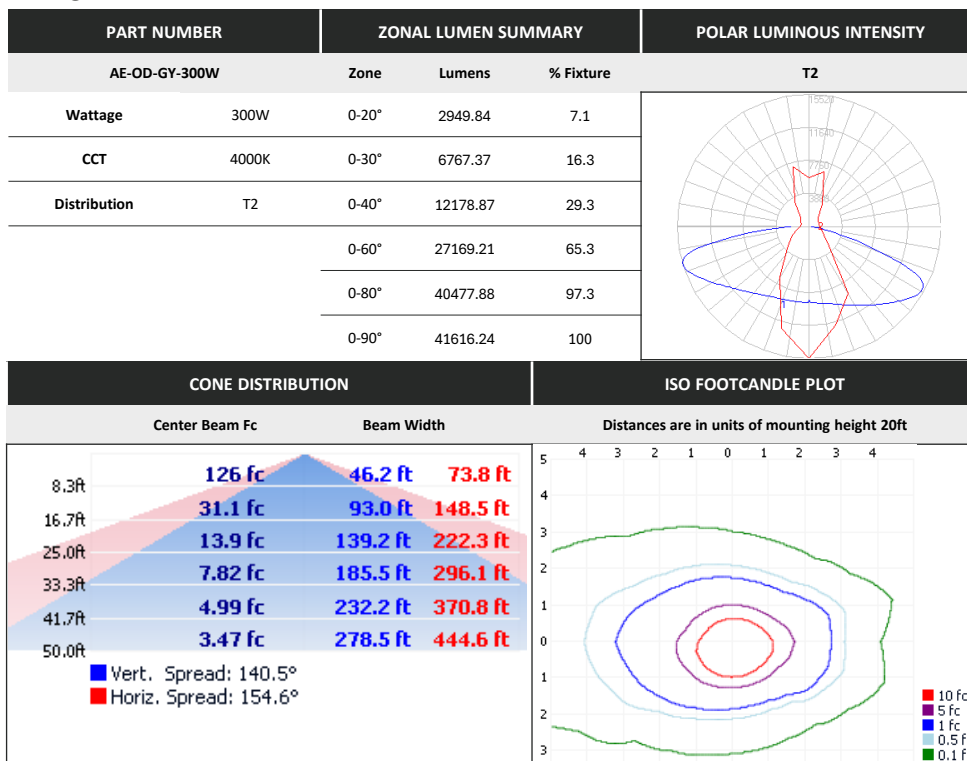
Symmetrical circular illuminance pattern



OUTDOOR LED LIGHT

Area | Site | Road Light

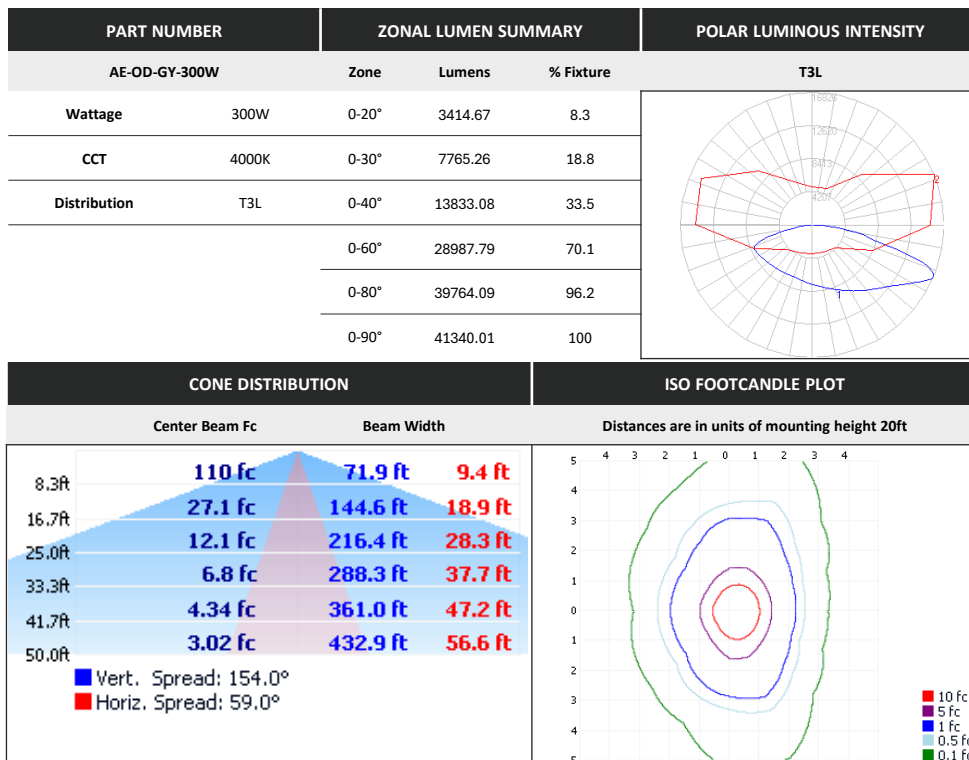
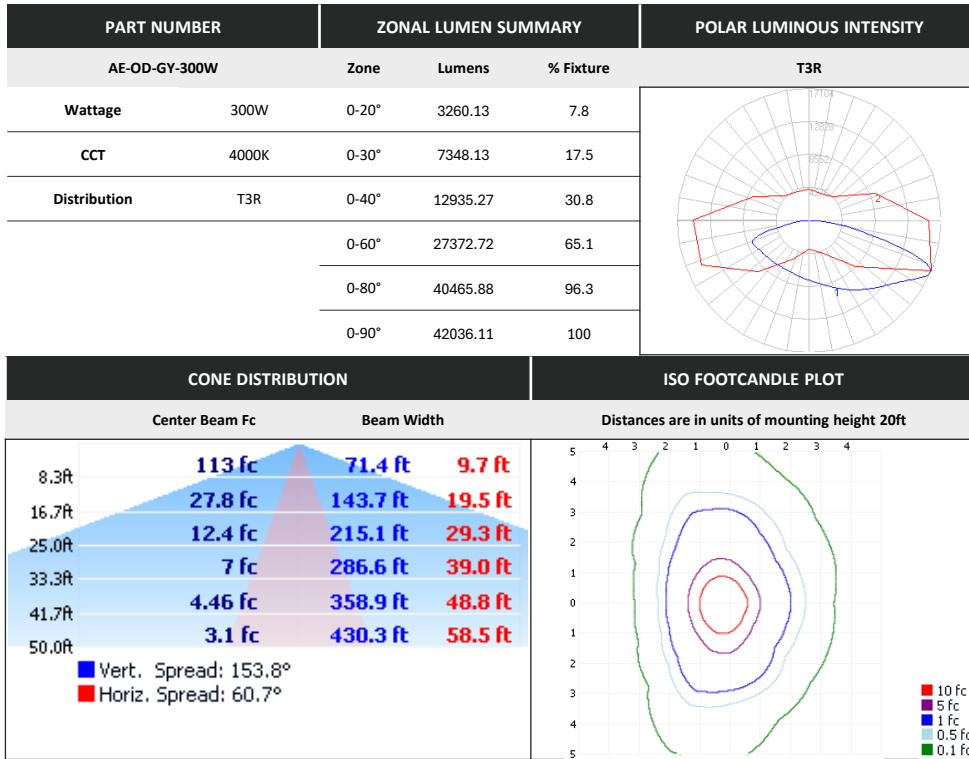
PHOTOMETRIC DATA



OUTDOOR LED LIGHT

Area | Site | Road Light

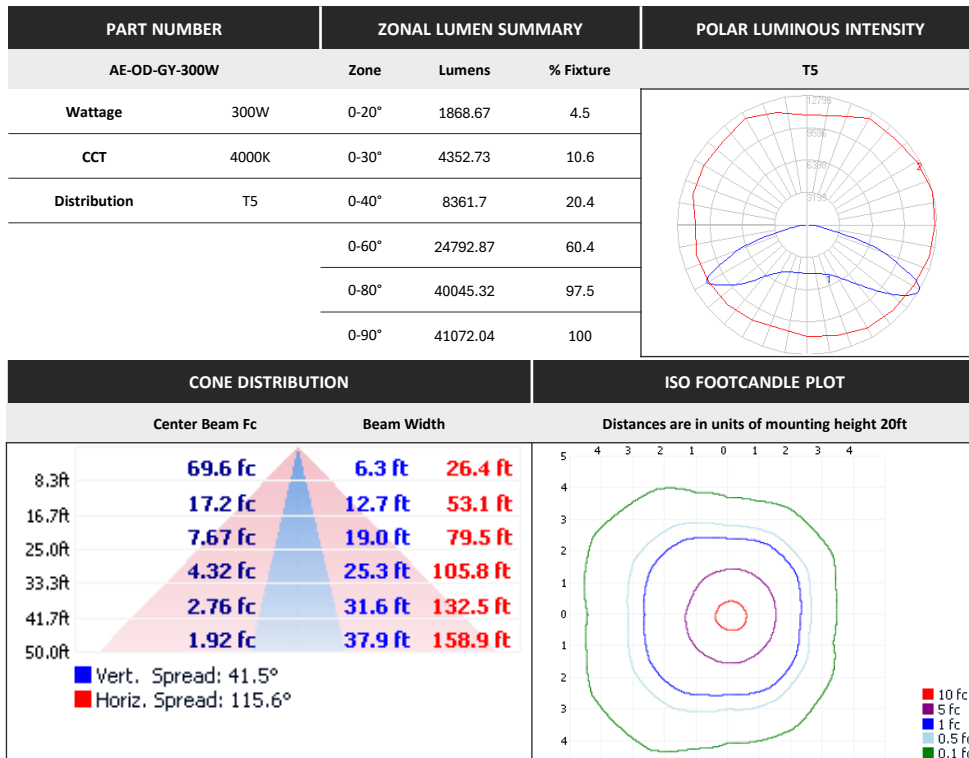
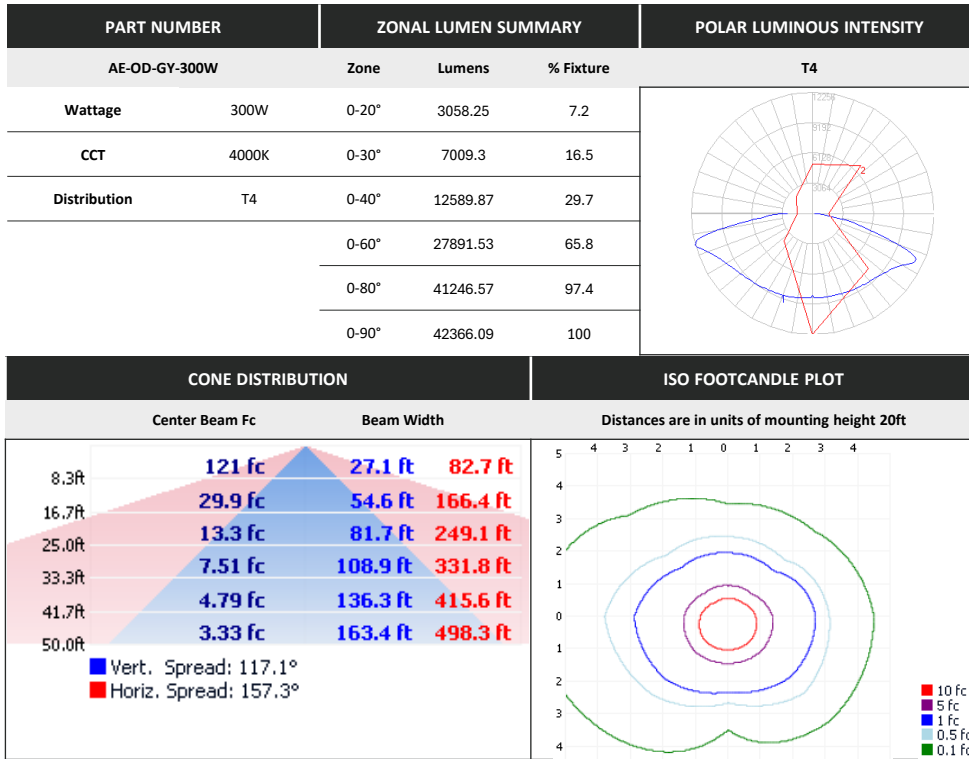
PHOTOMETRIC DATA



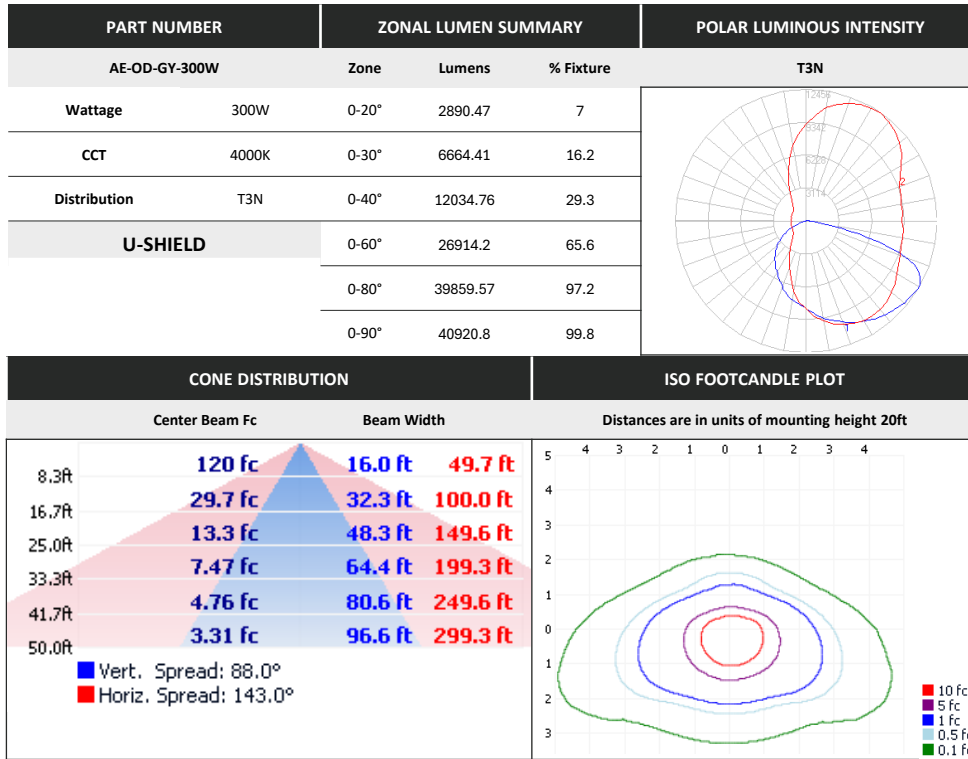
OUTDOOR LED LIGHT

Area | Site | Road Light

PHOTOMETRIC DATA



PHOTOMETRIC DATA



LUMEN ESTIMATE

Lumen output varies based on CCT and CRI. An estimate of lumen output of the various CCT/CRI combinations, use correction factors as per table below:

LUMEN ESTIMATE ADJUSTMENT FACTORS

CCT	3000K	3500K	4000K	5000K
PREMIUM (90CRI)	0.94	0.97	1	1.03

OUTDOOR LED LIGHT

Area | Site | Road Light



DLC MODEL	PRODUCT ID	DLC MODEL	PRODUCT ID
AE-OD-GY-80[UV,HV]-[D,P,M]-30-T2	S-OWCV1K	AE-OD-GY-200[UV,HV]-[D,P,M]-50-T3	S-P4JZ05
AE-OD-GY-80[UV,HV]-[D,P,M]-30-T3	S-QJRZS2	AE-OD-GY-200[UV,HV]-[D,P,M]-50-T5	S-7STMU5
AE-OD-GY-80[UV,HV]-[D,P,M]-30-T4	S-OF31GW	AE-OD-GY-200HV-[D,P,M]-40-T4	S-8IV5T1
AE-OD-GY-80[UV,HV]-[D,P,M]-30-T5	S-BSGZ7F	AE-OD-GY-200HV-[D,P,M]-50-T4	S-T9GH7K
AE-OD-GY-80[UV,HV]-[D,P,M]-40-T2	S-MY9LHB	AE-OD-GY-200UV-[D,P,M]-40-T4	S-6FYGVS
AE-OD-GY-80[UV,HV]-[D,P,M]-40-T3	S-196QP8	AE-OD-GY-200UV-[D,P,M]-50-T4	S-ZF5ANB
AE-OD-GY-80[UV,HV]-[D,P,M]-40-T5	S-MJZAE9	AE-OD-GY-240[UV,HV]-[D,P,M]-30-T2	S-P81ROT
AE-OD-GY-80[UV,HV]-[D,P,M]-50-T2	S-29IX0R	AE-OD-GY-240[UV,HV]-[D,P,M]-30-T3	S-SC57HZ
AE-OD-GY-80[UV,HV]-[D,P,M]-50-T3	S-6NFDCE	AE-OD-GY-240[UV,HV]-[D,P,M]-30-T4	S-4OUVB8
AE-OD-GY-80[UV,HV]-[D,P,M]-50-T5	S-XRLAM0	AE-OD-GY-240[UV,HV]-[D,P,M]-30-T5	S-J4CZAI
AE-OD-GY-80HV-[D,P,M]-40-T4	S-09HSAC	AE-OD-GY-240[UV,HV]-[D,P,M]-40-T2	S-OJEMW4
AE-OD-GY-80HV-[D,P,M]-50-T4	S-UPSQGO	AE-OD-GY-240[UV,HV]-[D,P,M]-40-T3	S-V3XC9Q
AE-OD-GY-80UV-[D,P,M]-40-T4	S-I1H3AW	AE-OD-GY-240[UV,HV]-[D,P,M]-40-T5	S-PW82VU
AE-OD-GY-80UV-[D,P,M]-50-T4	S-EDBFXC	AE-OD-GY-240[UV,HV]-[D,P,M]-50-T2	S-7MBVO9
AE-OD-GY-100[UV,HV]-[D,P,M]-30-T2	S-TOAF75	AE-OD-GY-240[UV,HV]-[D,P,M]-50-T3	S-7K6XH0
AE-OD-GY-100[UV,HV]-[D,P,M]-30-T3	S-IRHY1X	AE-OD-GY-240[UV,HV]-[D,P,M]-50-T5	S-J7VF2A
AE-OD-GY-100[UV,HV]-[D,P,M]-30-T4	S-2I86H1	AE-OD-GY-240HV-[D,P,M]-40-T4	S-0YIGH2
AE-OD-GY-100[UV,HV]-[D,P,M]-30-T5	S-ZCSORW	AE-OD-GY-240HV-[D,P,M]-50-T4	S-S0ZF8X
AE-OD-GY-100[UV,HV]-[D,P,M]-40-T2	S-9XVZS4	AE-OD-GY-240UV-[D,P,M]-40-T4	S-KUA03V
AE-OD-GY-100[UV,HV]-[D,P,M]-40-T3	S-8RK9XE	AE-OD-GY-240UV-[D,P,M]-50-T4	S-4XYEOK
AE-OD-GY-100[UV,HV]-[D,P,M]-40-T5	S-HAE7CS	AE-OD-GY-300[UV,HV]-[D,P,M]-30-T2	S-CP1L8M
AE-OD-GY-100[UV,HV]-[D,P,M]-50-T2	S-NOKLGB	AE-OD-GY-300[UV,HV]-[D,P,M]-30-T3	S-VPRLIG
AE-OD-GY-100[UV,HV]-[D,P,M]-50-T3	S-PER297	AE-OD-GY-300[UV,HV]-[D,P,M]-30-T4	S-SZ79GL
AE-OD-GY-100[UV,HV]-[D,P,M]-50-T5	S-P70HZQ	AE-OD-GY-300[UV,HV]-[D,P,M]-30-T5	S-ZAX9HJ
AE-OD-GY-100HV-[D,P,M]-40-T4	S-EN2PK4	AE-OD-GY-300[UV,HV]-[D,P,M]-40-T2	S-VT51MD
AE-OD-GY-100HV-[D,P,M]-50-T4	S-CM3JDQ	AE-OD-GY-300[UV,HV]-[D,P,M]-40-T3	S-4XNFI6
AE-OD-GY-100UV-[D,P,M]-40-T4	S-S7WE0T	AE-OD-GY-300[UV,HV]-[D,P,M]-40-T5	S-C9USRE
AE-OD-GY-100UV-[D,P,M]-50-T4	S-EBOUP6	AE-OD-GY-300[UV,HV]-[D,P,M]-50-T2	S-VRS2YA
AE-OD-GY-150[UV,HV]-[D,P,M]-30-T2	S-7KZP91	AE-OD-GY-300[UV,HV]-[D,P,M]-50-T3	S-FVN5Z9
AE-OD-GY-150[UV,HV]-[D,P,M]-30-T3	S-GCIZES	AE-OD-GY-300[UV,HV]-[D,P,M]-50-T5	S-U507RW
AE-OD-GY-150[UV,HV]-[D,P,M]-30-T4	S-BFKW50	AE-OD-GY-300HV-[D,M,P,N]-40-T4	S-BP661U
AE-OD-GY-150[UV,HV]-[D,P,M]-30-T5	S-64L9OK	AE-OD-GY-300HV-[D,M,P,N]-50-T4	S-CPR6Y2
AE-OD-GY-150[UV,HV]-[D,P,M]-40-T2	S-OQ3LGT	AE-OD-GY-300UV-[D,M,P,N]-40-T4	S-109G4Y
AE-OD-GY-150[UV,HV]-[D,P,M]-40-T3	S-BW0Y2V	AE-OD-GY-300UV-[D,M,P,N]-50-T4	S-EWNB7D
AE-OD-GY-150[UV,HV]-[D,P,M]-40-T5	S-C92JVS	AE-OD-GY-300UV-[D,P,M]-30(M)-T2	S-23BD8C
AE-OD-GY-150[UV,HV]-[D,P,M]-50-T2	S-LBTC5W	AE-OD-GY-300UV-[D,P,M]-30(M)-T3	S-3EJB0Z
AE-OD-GY-150[UV,HV]-[D,P,M]-50-T3	S-E5GYS9	AE-OD-GY-300UV-[D,P,M]-30(M)-T4	S-KYZMU2
AE-OD-GY-150[UV,HV]-[D,P,M]-50-T5	S-OWJBFN	AE-OD-GY-300UV-[D,P,M]-30(M)-T5	S-GJBMA9
AE-OD-GY-150HV-[D,P,M,N]-40-T4	S-UD0J5H	AE-OD-GY-300UV-[D,P,M]-40(M)-T2	S-R798ZL
AE-OD-GY-150HV-[D,P,M,N]-50-T4	S-Y0CS4B	AE-OD-GY-300UV-[D,P,M]-40(M)-T3	S-W92ZDR
AE-OD-GY-150UV-[D,P,M,N]-40-T4	S-WL85RA	AE-OD-GY-300UV-[D,P,M]-40(M)-T4	S-I8E0PH
AE-OD-GY-150UV-[D,P,M,N]-50-T4	S-RV0TPK	AE-OD-GY-300UV-[D,P,M]-40(M)-T5	S-M14Z59
AE-OD-GY-200[UV,HV]-[D,P,M]-30-T2	S-5UQ7OC	AE-OD-GY-300UV-[D,P,M]-50(M)-T2	S-V8O0LP
AE-OD-GY-200[UV,HV]-[D,P,M]-30-T3	S-KW36GH	AE-OD-GY-300UV-[D,P,M]-50(M)-T3	S-CRDOK9
AE-OD-GY-200[UV,HV]-[D,P,M]-30-T4	S-5HVF86	AE-OD-GY-300UV-[D,P,M]-50(M)-T4	S-617953
AE-OD-GY-200[UV,HV]-[D,P,M]-30-T5	S-N3LPZC	AE-OD-GY-300UV-[D,P,M]-50(M)-T5	S-NQ435E
AE-OD-GY-200[UV,HV]-[D,P,M]-40-T2	S-OPWJST	AE-OD-GY-300UV-[D,P,M]-57(M)-T2	S-8SIP49
AE-OD-GY-200[UV,HV]-[D,P,M]-40-T3	S-6QW4V9	AE-OD-GY-300UV-[D,P,M]-57(M)-T3	S-ZF8ACE
AE-OD-GY-200[UV,HV]-[D,P,M]-40-T5	S-Z2CKNA	AE-OD-GY-300UV-[D,P,M]-57(M)-T4	S-PW42TX
AE-OD-GY-200[UV,HV]-[D,P,M]-50-T2	S-QM8ST2	AE-OD-GY-300UV-[D,P,M]-57(M)-T5	S-CSNGY2

OVERVIEW



Innovative Design

- Aluminum die cast housing and fins for better heat dissipation
- Highly robust polycarbonate and high transmittance lens.



Multiple Options

- Six different powers from 80 to 300W.
- Black, white, silver, & bronze finishes.
- 4 CCTs; 22, 30, 40, and 50K



Accessories

- 120-347V photocell
- Motion sensor
- Optical Shield



Motion Sensor



Photocell



Brackets

- Slip fitter
- Direct mount bracket
- Yoke mount



Distribution

- T2 | T3N | T3R | T3R | T4 | T5



Mountings Available

- Round / Square Pole Mount
- Wall mount



Protection



Surge Protector

- Protected against dust ingress.
- Protected against water jets
- Impact resistant
- 10KV surge protector



Tests And Certifications

