

# GENESYS

## OUTDOOR LED LIGHT

### Area | Site | Road Light

The GENESYS Series is an elegant LED area light designed with multiple power, CCT, mounting and finish options, which blend design, performance, and technology for a variety of applications. Its water, dust and impact resistance, in addition to a 20KV surge protector, make it suitable for harsh environments.

Applications: Auto Dealership | Retail | Commercial | Campus Parking Lots

eralux®

	DATE	QTY	ACC. QTY	TYPE
PROJECT				
PN				
ACCESSORY PN				
NOTES				




### DYNAMIC MENU

Order Information	<a href="#">Page 2</a>
Dimensions	<a href="#">Page 4</a>
Accessories	<a href="#">Page 7</a>
Photometric Data	<a href="#">Page 8</a>

[Install Instruction link](#)

### SPECIFICATIONS

Input Voltage	120-277V   277-480V		
Power Factor	>0.9		
Total Harmonic Distortion	<20%		
Dimming	0-10V dimming		
CRI	70 CRI		
CCT	<span style="border: 1px solid black; border-radius: 50%; padding: 2px;">22K</span> <span style="border: 1px solid black; border-radius: 50%; padding: 2px; margin-left: 10px;">30K</span> <span style="border: 1px solid black; border-radius: 50%; padding: 2px; margin-left: 10px;">40K</span> <span style="border: 1px solid black; border-radius: 50%; padding: 2px; margin-left: 10px;">50K</span>		
Efficacy	~105 lm/W		
Power	80   100   150   200   240   300W		
Ambient Temperature Range	-40°C to 45°C		
Mounting Options	Wall   Surface   Pole mount		
Mounting Brackets	Slip fitter   Direct   Yoke		
Fixture Finish	Black   White   Aluminum   Bronze 		
Controls	Photocell		
Protection	IP65; water and dust resistance IK08; impact resistance 20KV surge protector		
Distribution	T2	T3N	T3R
	T3L	T4	T5



### PRODUCT FEATURES



### PRODUCT CERTIFICATIONS



Design Lights Consortium® (DLC) qualified product. Not all versions of this product may be DLC qualified. Please check the DLC Qualified Products List at [www.designlights.org/QPL](http://www.designlights.org/QPL) to confirm which versions are qualified" [page 13](#)

### SYSTEM WARRANTY – 5 YEARS

Eralux will warrant defective drivers, LEDs and boards for 5 years from the date of purchase. This warranty is valid only if the fixture is installed and used as per installation guides and specifications. If a defect is present, Eralux will send drivers and boards at no fee with a thorough replacement instructions along with instructions on the return of the defective parts back to Eralux.

### LUMEN MAINTENANCE – L70 at 50,000 hours

Rated for 70% initial lumen output at 50,000 hours of operation, operated at 25°C ambient temperature; per guidelines published by the Illuminating Engineering Society (IES).

## OUTDOOR LED LIGHT

Area | Site | Road Light



### ORDERING GUIDE

<b>AE-OD-GY</b>							
<b>AE-OD-GY</b> ERALUX GENESYS Outdoor Area Light	<b>-80</b> 80W   10,500lm <b>-100</b> 100W   13,500lm <b>-150</b> 150W   20,250lm <b>-200</b> 200W   27,000lm <b>-240</b> 240W   32,400lm <b>-300</b> 300W   40,500lm	<b>UV</b> 120-277Vac <b>HV</b> 277-480Vac	<b>-D</b> 0-10V Dimming <b>-P</b> Photocell	<b>-22</b> 2200K <b>-30</b> 3000K <b>-40</b> 4000K <b>-50</b> 5000K	<b>-T2</b> Type 2 <b>-T3N</b> Type 3 Forward <b>-T3L</b> Type 3 Left <b>-T3R</b> Type 3 Right <b>-T4</b> Type 4 <b>-T5</b> Type 5	<b>-A</b> Slip Fitter <b>-B</b> Direct Mount <b>-C</b> Yoke Mount <b>-D</b> No Mounting	<b>-BK</b> Black <b>-BZ</b> Bronze <b>-WH</b> White <b>-AL</b> Aluminum

<b>Fixture Family</b>	<b>Power</b>	<b>Voltage</b>	<b>Control</b>	<b>CCT</b>	<b>Distribution</b>	<b>Mounting</b>	<b>Finish</b>
-----------------------	--------------	----------------	----------------	------------	---------------------	-----------------	---------------

#### NOTES

- Fixture is supplied with 3-Pin Receptable and shorting Cap by default.
- If other receptable is desired , please contact factory.



### ORDERING GUIDE - ACCESSORIES

<b>AE-OD-GY</b>			
<b>AE-OD-GY</b> ERALUX GENESYS Outdoor Area Light	<b>-OS</b> Optical Back Shield	<b>-60-150W</b> Compatible with 80, 100, and 150W <b>-200-300W</b> Compatible with 200, 240, and 300W	<b>-BK</b> Black <b>-BZ</b> Bronze <b>-AL</b> Aluminum

<b>Accessory Family</b>	<b>Accessory</b>	<b>Power</b>	<b>Finish</b>
-------------------------	------------------	--------------	---------------

<b>AE-OD-RZ</b>		
<b>AE-OD-RZ</b> ERALUX GENESYS Outdoor Area Light	<b>-DI-UNV</b> Universal Direct Mount Bracket	<b>-BK</b> Black <b>-BZ</b> Bronze <b>-WH</b> White

<b>Accessory Family</b>	<b>Mounting</b>	<b>Finish</b>
-------------------------	-----------------	---------------

#### NOTES

- Universal Direct Bracket can be used if holes are already made on the existing pole.

## OUTDOOR LED LIGHT

Area | Site | Road Light

### B-U-G RATING

POWER	DISTRIBUTION	B-U-G
80W	T2	B3-U3-G3
	T3	B3-U2-G3
	T4	B3-U3-G3
	T5	B3-U3-G2
100W	T2	B3-U3-G3
	T3	B3-U2-G3
	T4	B3-U2-G3
	T5	B4-U3-G2
120W	T2	B3-U3-G3
	T3	B3-U3-G3
	T4	B4-U3-G4
	T5	B4-U3-G2
150W	T2	B3-U3-G3
	T3	B4-U2-G4
	T4	B4-U3-G4
	T5	B4-U3-G2

POWER	DISTRIBUTION	B-U-G
200W	T2	B4-U3-G4
	T3	B4-U3-G4
	T4	B4-U3-G4
	T5	B5-U3-G3
240W	T2	B5-U3-G4
	T3	B4-U3-G4
	T4	B4-U3-G4
	T5	B5-U3-G3
300W	T2	B5-U3-G5
	T3	B5-U3-G5
	T4	B4-U3-G4
	T5	B5-U3-G3

### WEIGHT INFORMATION

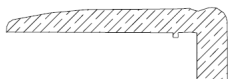
POWER	ACCESSORY	WEIGHT
100W	Slip Fitter	5.28Kg
	Direct bracket	5.61Kg
	Yoke mount	5.01Kg
150W	Slip Fitter	5.55Kg
	Direct bracket	5.87Kg
	Yoke mount	5.27Kg

POWER	ACCESSORY	WEIGHT
200W	Slip Fitter	7.73Kg
	Direct bracket	8.053Kg
	Yoke mount	7.45Kg
300W	Slip Fitter	7.87Kg
	Direct bracket	8.19Kg
	Yoke mount	7.59Kg

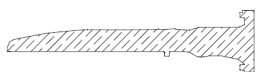
### EPA (Effective Projected Area)

POWER	ACCESSORY	EPA
100W   150W	Slip Fitter	0.5034FT <sup>2</sup>
	Direct bracket	0.543FT <sup>2</sup>
	Yoke mount	0.459FT <sup>2</sup>

POWER	ACCESSORY	EPA
200W   300W	Slip Fitter	0.626FT <sup>2</sup>
	Direct bracket	0.667FT <sup>2</sup>
	Yoke mount	0.585FT <sup>2</sup>



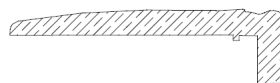
EPA=0.419537X1.2=0.5034



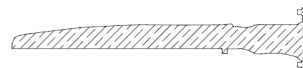
EPA=0.4521856X1.2=0.543



EPA=0.3821229X1.2=0.459



EPA=0.5219117X1.2=0.626



EPA=0.5553797X1.2=0.667



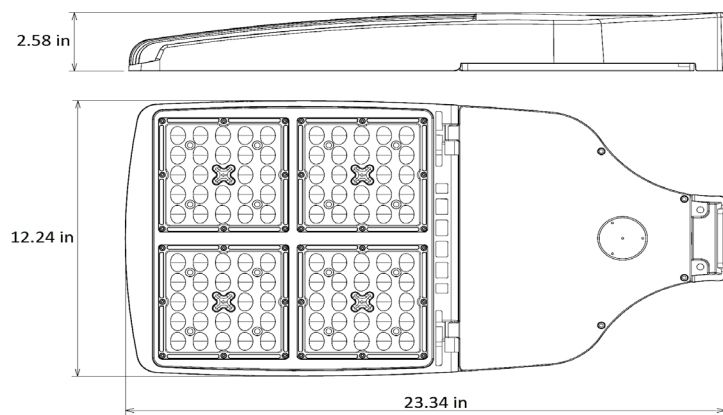
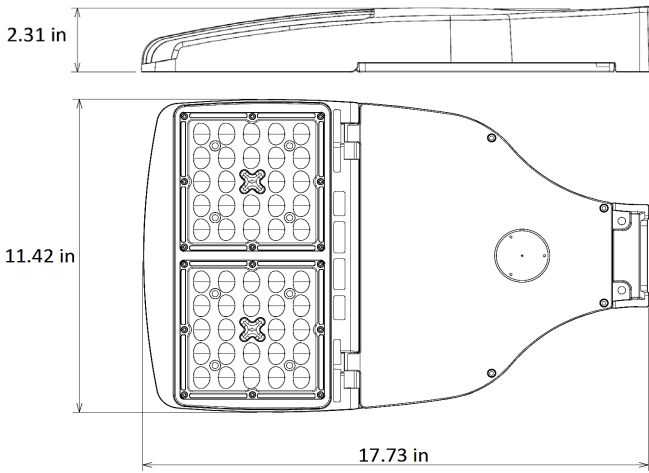
EPA=0.4871427X1.2=0.585

### DIMENSIONS

#### WITHOUT BRACKET

##### 80-100-150W

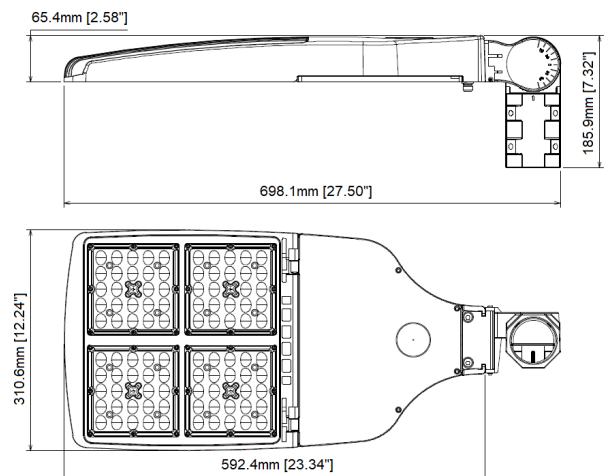
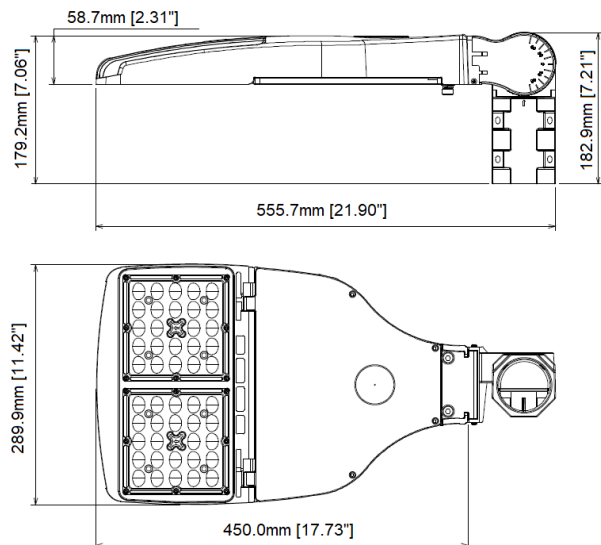
##### 200-240-300W



#### SLIP FITTER

##### 80-100-150W

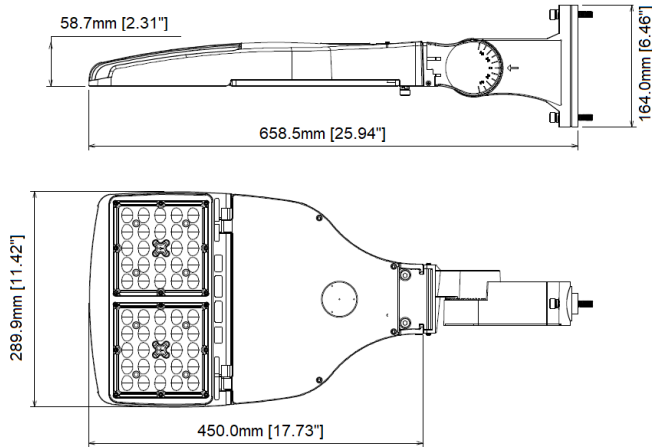
##### 200-240-300W



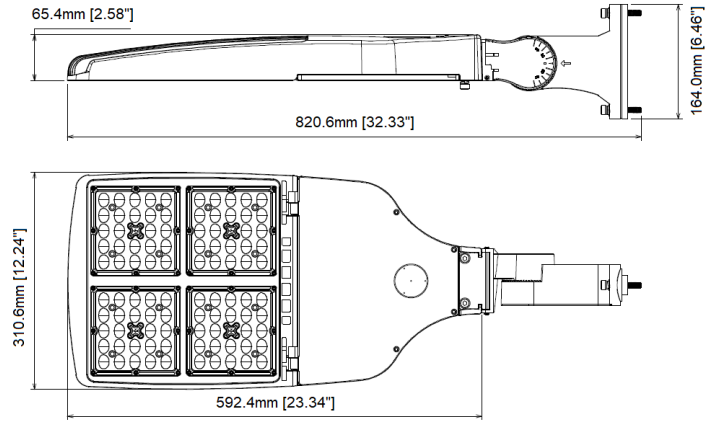
### DIMENSIONS

#### DIRECT BRACKET

##### 80-100-150W

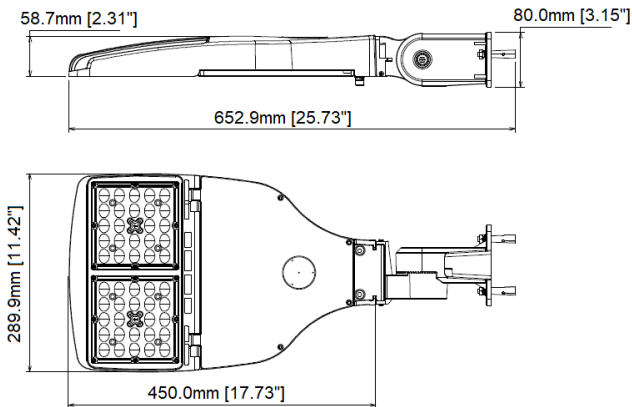


##### 200-240-300W

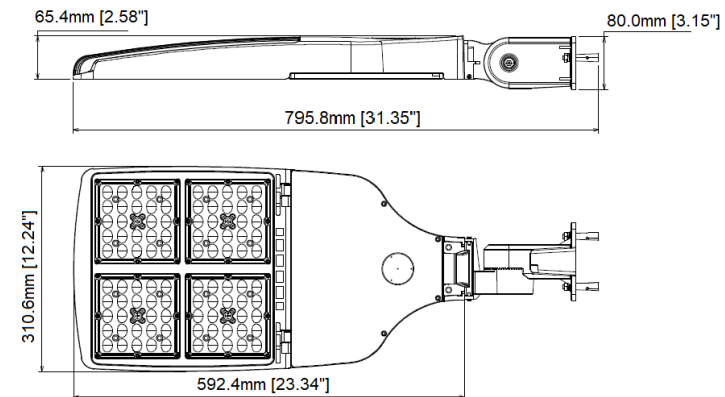


#### YOKE MOUNT

##### 80-100-150W



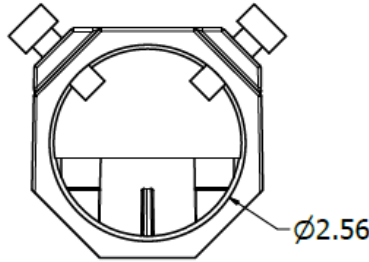
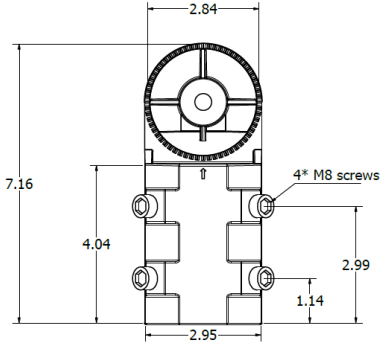
##### 200-240-300W



### BRACKETS DRILLING PATTERN

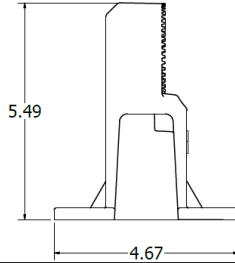
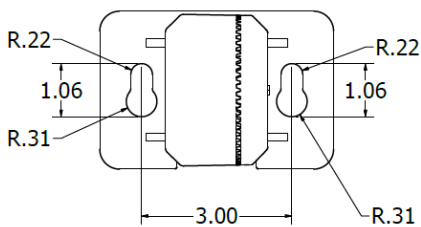
#### ADJUSTABLE SLIP FITTER

Installed on 2-3/8" round pole, Adjustable tilt  $\pm 75^\circ$



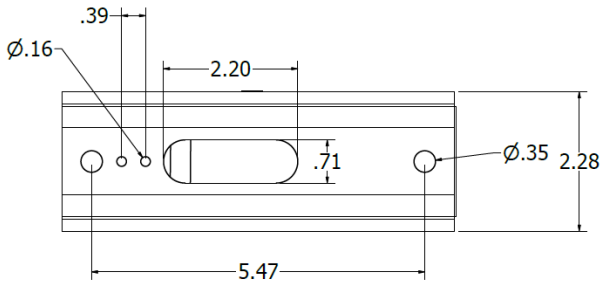
#### ADJUSTABLE YOKE MOUNT BRACKET

Installed on surface, wall or square pole, Adjustable tilt  $\pm 75^\circ$



#### ADJUSTABLE DIRECT MOUNT BRACKET

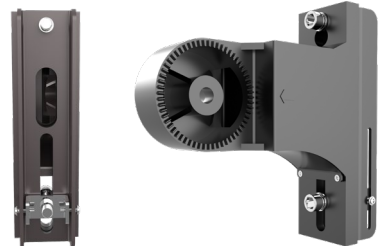
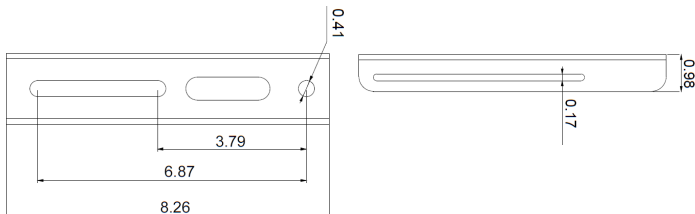
Installed on surface, wall, round or square pole, Adjustable tilt  $\pm 75^\circ$



#### UNIVERSAL DIRECT MOUNT BRACKET

Installed on surface, wall, round or square pole, Adjustable tilt  $\pm 75^\circ$

Ordered separately if needed: AE-OD-RZ-DI-UNV-XX



## OUTDOOR LED LIGHT

Area | Site | Road Light

### ACCESSORIES

#### OPTICAL SHIELD

Code	Description	Picture
AE-OD-GY-OS-60-150W-BK AE-OD-GY-OS-60-150W-BZ AE-OD-GY-OS-60-150W-AL	4" depth optical shield designed to reduce glare and light spill; blocking the light either forward or backward	
AE-OD-GY-OS-200-300W-BK AE-OD-GY-OS-200-300W-BZ AE-OD-GY-OS-200-300W-AL	This helps to minimize light pollution by directing light downward or toward specific areas. Lumen decrease ~30%	

#### Installation

Back Shield		
Forward Shield		

### CONTROL

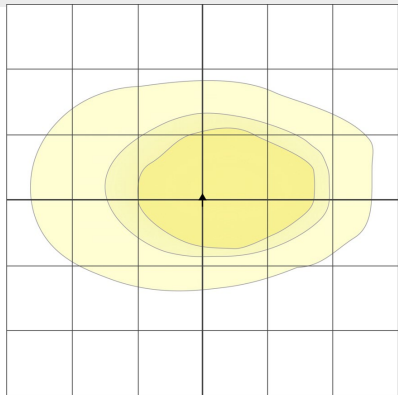
#### PHOTOCELL

ORDER CODE	DESCRIPTION	PICTURE
AE-OD-RZ-PHOTOCELL-HV	High-Voltage Photocell 277-480V	
AE-OD-RZ-PHOTOCELL-UV	Low-Voltage Photocell 120-277V	

### DISTRIBUTION

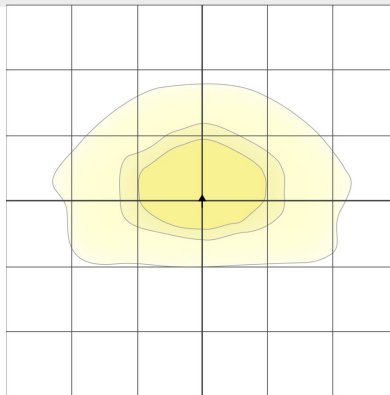
T2

Wide, more asymmetric illuminance



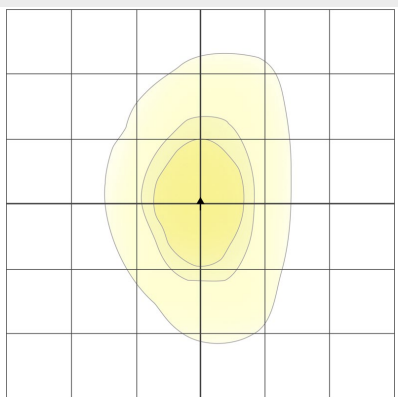
T3N

Wide slightly forward asymmetric illuminance pattern



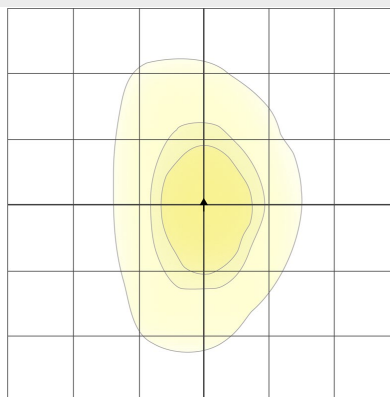
T3L

Wide slightly forward asymmetric illuminance to the left



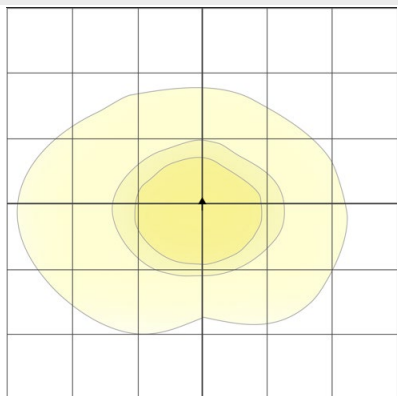
T3R

Wide slightly forward asymmetric illuminance to the right



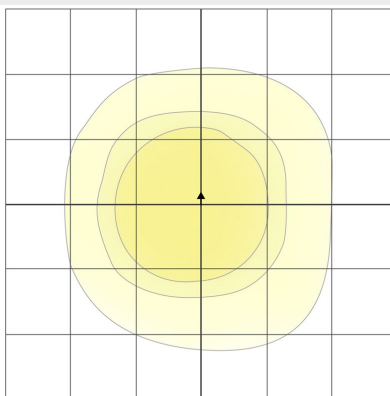
T4

Wide more forward asymmetric illuminance pattern



T5

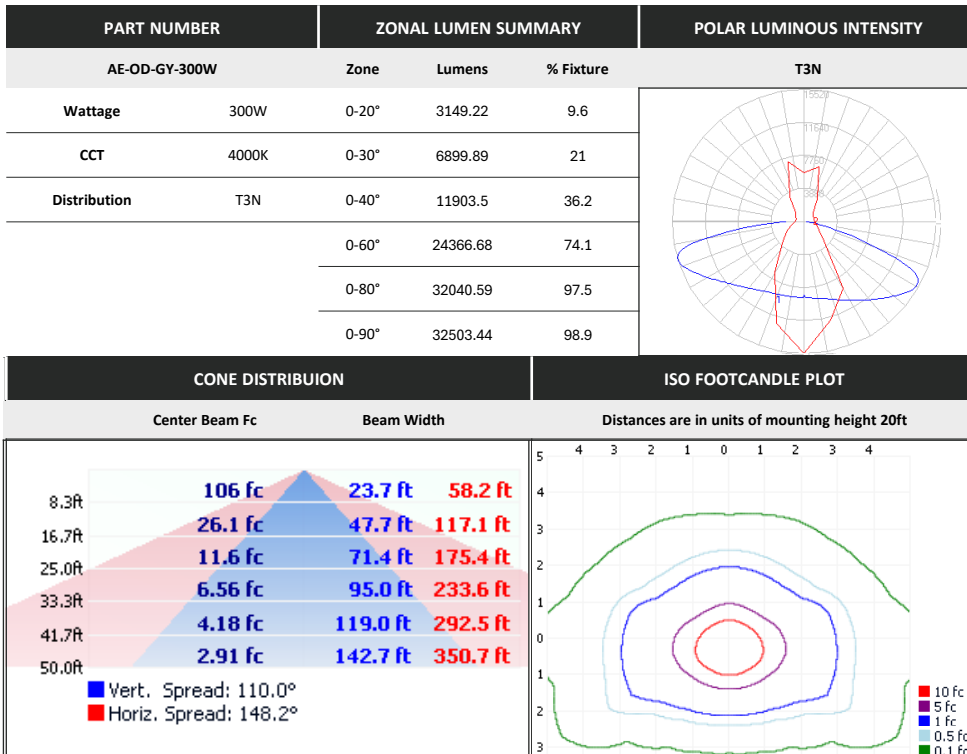
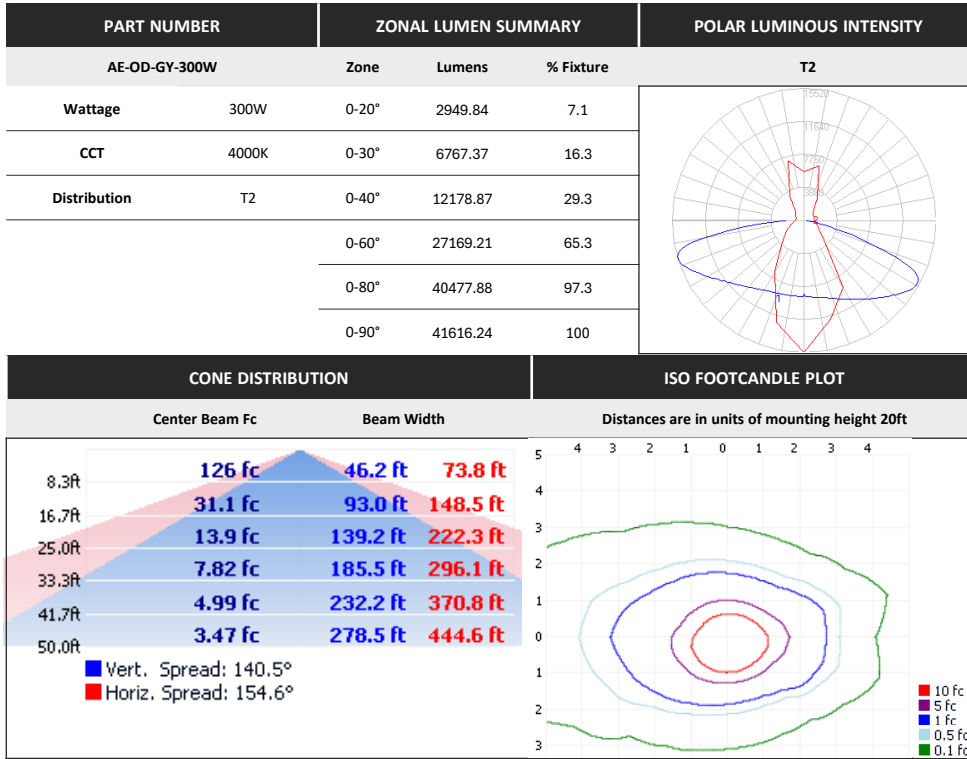
Symmetrical circular illuminance pattern



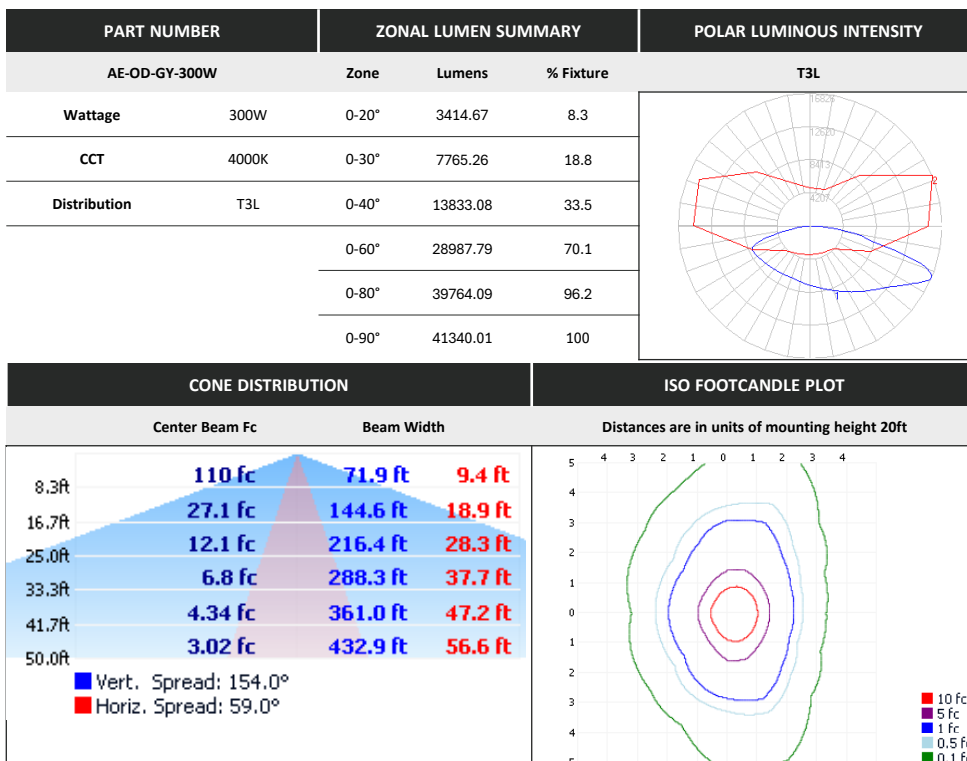
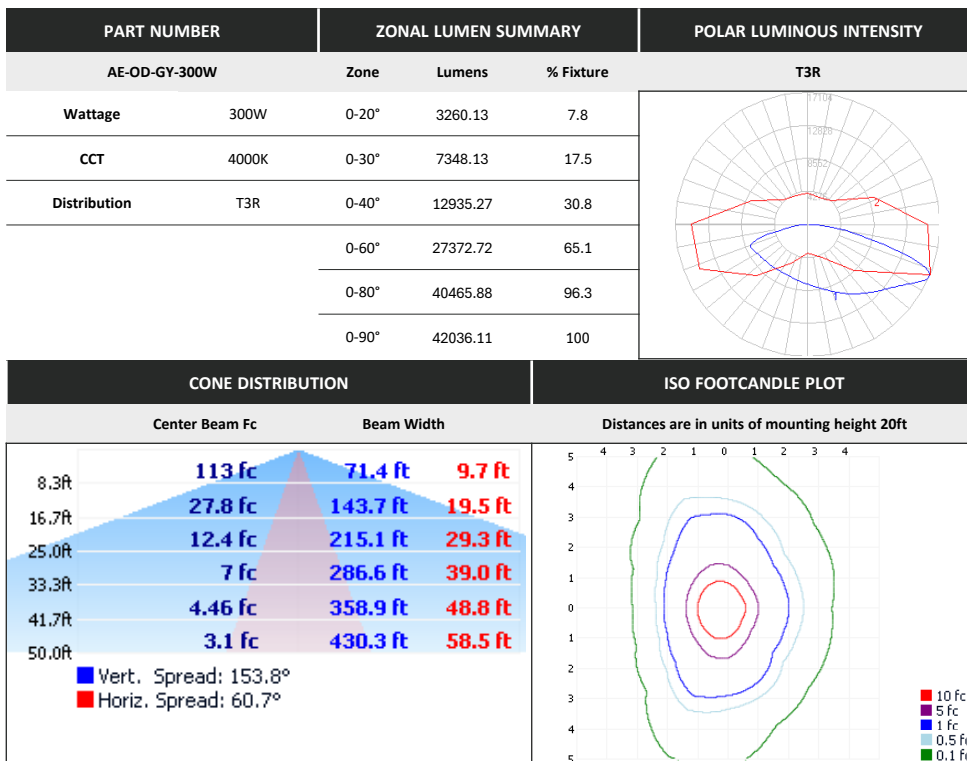
## OUTDOOR LED LIGHT

Area | Site | Road Light

### PHOTOMETRIC DATA



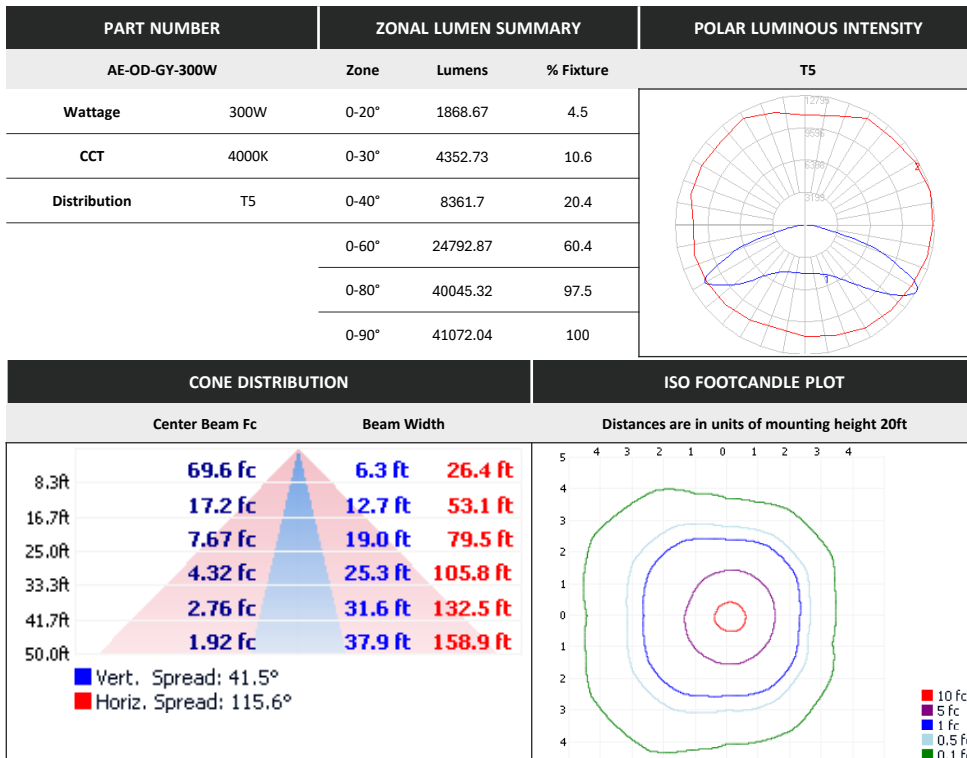
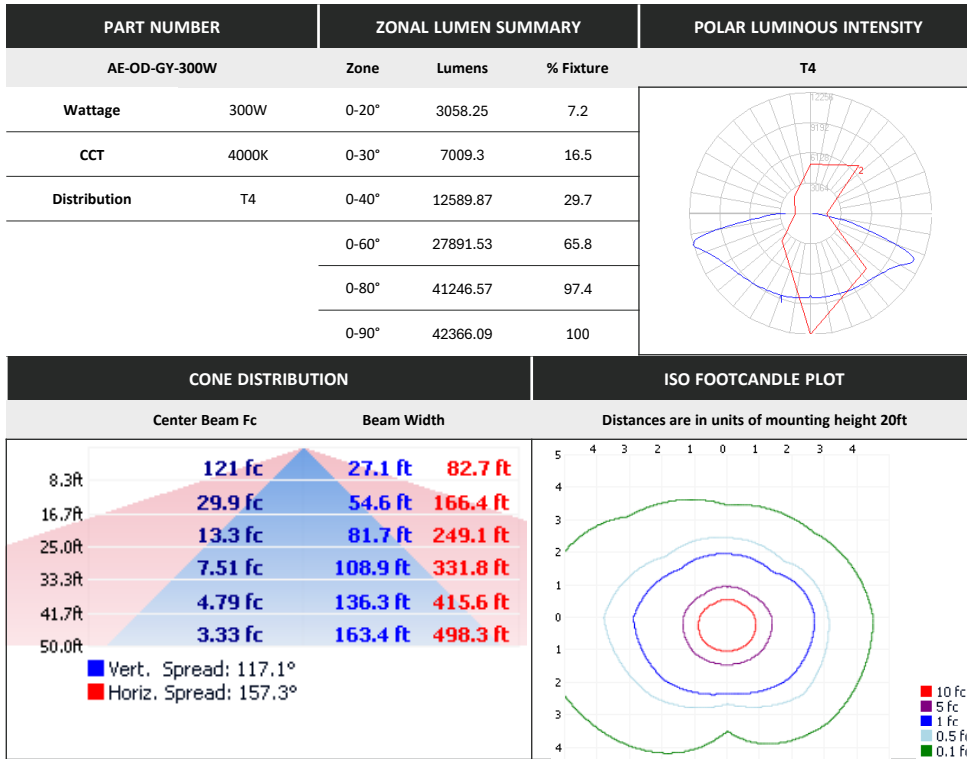
### PHOTOMETRIC DATA



## OUTDOOR LED LIGHT

Area | Site | Road Light

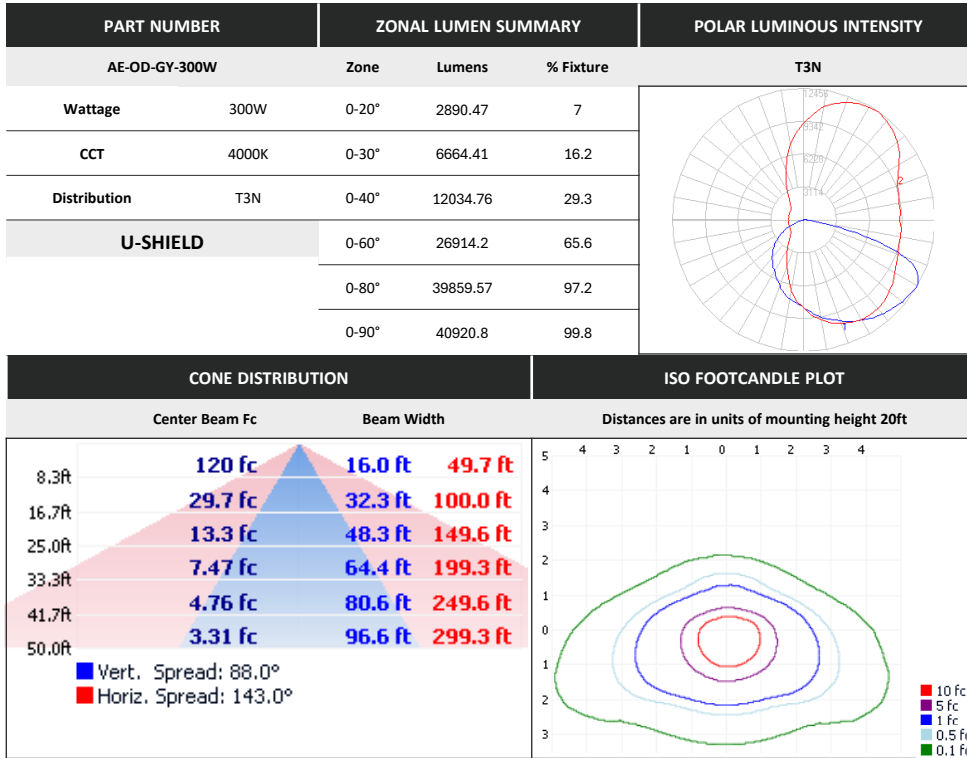
### PHOTOMETRIC DATA



## OUTDOOR LED LIGHT

Area | Site | Road Light

### PHOTOMETRIC DATA



### LUMEN ESTIMATE

Lumen output varies based on CCT and CRI. Use correction factors as per table below:

#### LUMEN ESTIMATE ADJUSTMENT FACTORS

CCT	3000K	3500K	4000K	5000K
<b>PREMIUM (90CRI)</b>	0.94	0.97	1	1.03



DLC			
DLC MODEL	PRODUCT ID	Primary Use	Classification
AE-OD-GY-80[UV,HV]-[D,P,M]-30-T2	S-OWCV1K	Outdoor Pole/Arm-Mounted Area and Roadway Luminaires	Premium
AE-OD-GY-80[UV,HV]-[D,P,M]-30-T3	S-QJRZS2		Premium
AE-OD-GY-80[UV,HV]-[D,P,M]-30-T4	S-OF31GW		Premium
AE-OD-GY-80[UV,HV]-[D,P,M]-30-T5	S-BSGZ7F		Premium
AE-OD-GY-80[UV,HV]-[D,P,M]-40-T2	S-MY9LHB		Premium
AE-OD-GY-80[UV,HV]-[D,P,M]-40-T3	S-196QP8		Premium
AE-OD-GY-80[UV,HV]-[D,P,M]-40-T5	S-MJZAE9		Premium
AE-OD-GY-80[UV,HV]-[D,P,M]-50-T2	S-29IX0R		Premium
AE-OD-GY-80[UV,HV]-[D,P,M]-50-T3	S-6NFDCE		Premium
AE-OD-GY-80[UV,HV]-[D,P,M]-50-T5	S-XRLAMO		Premium
AE-OD-GY-80HV-[D,P,M]-40-T4	S-09HSAC		Premium
AE-OD-GY-80HV-[D,P,M]-50-T4	S-UPSQGO		Premium
AE-OD-GY-80UV-[D,P,M]-40-T4	S-11H3AW		Premium
AE-OD-GY-80UV-[D,P,M]-50-T4	S-EDBFXC		Premium
AE-OD-GY-100[UV,HV]-[D,P,M]-30-T2	S-T0AF75		Premium
AE-OD-GY-100[UV,HV]-[D,P,M]-30-T3	S-IRHY1X		Premium
AE-OD-GY-100[UV,HV]-[D,P,M]-30-T4	S-2186H1		Premium
AE-OD-GY-100[UV,HV]-[D,P,M]-30-T5	S-ZCSORW		Premium
AE-OD-GY-100[UV,HV]-[D,P,M]-40-T2	S-9XVZS4		Premium
AE-OD-GY-100[UV,HV]-[D,P,M]-40-T3	S-8RK9XE		Premium
AE-OD-GY-100[UV,HV]-[D,P,M]-40-T5	S-HAE7CS		Premium
AE-OD-GY-100[UV,HV]-[D,P,M]-50-T2	S-NOKLGB		Premium
AE-OD-GY-100[UV,HV]-[D,P,M]-50-T3	S-PER297		Premium
AE-OD-GY-100[UV,HV]-[D,P,M]-50-T5	S-P70HZQ		Premium
AE-OD-GY-100HV-[D,P,M]-40-T4	S-EN2PK4		Premium
AE-OD-GY-100HV-[D,P,M]-50-T4	S-CM3JDQ		Premium
AE-OD-GY-100UV-[D,P,M]-40-T4	S-S7WEOT		Premium
AE-OD-GY-100UV-[D,P,M]-50-T4	S-EBOUP6		Premium



DLC			
DLC MODEL	PRODUCT ID	Primary Use	Classification
AE-OD-GY-150[UV,HV]-[D,P,M]-30-T2	S-7KZP91	Outdoor Pole/Arm-Mounted Area and Roadway Luminaires	Premium
AE-OD-GY-150[UV,HV]-[D,P,M]-30-T3	S-GCIZES		Premium
AE-OD-GY-150[UV,HV]-[D,P,M]-30-T4	S-BFKW50		Premium
AE-OD-GY-150[UV,HV]-[D,P,M]-30-T5	S-64L9OK		Premium
AE-OD-GY-150[UV,HV]-[D,P,M]-40-T2	S-OQ3LGT		Premium
AE-OD-GY-150[UV,HV]-[D,P,M]-40-T3	S-BW0Y2V		Premium
AE-OD-GY-150[UV,HV]-[D,P,M]-40-T5	S-C92JVS		Premium
AE-OD-GY-150[UV,HV]-[D,P,M]-50-T2	S-LBTC5W		Premium
AE-OD-GY-150[UV,HV]-[D,P,M]-50-T3	S-E5GYS9		Premium
AE-OD-GY-150[UV,HV]-[D,P,M]-50-T5	S-OWJBFN		Premium
AE-OD-GY-150HV-[D,P,M,N]-40-T4	S-UD0J5H		Premium
AE-OD-GY-150HV-[D,P,M,N]-50-T4	S-Y0C54B		Premium
AE-OD-GY-150UV-[D,P,M,N]-40-T4	S-WL85RA		Premium
AE-OD-GY-150UV-[D,P,M,N]-50-T4	S-RV0TPK		Premium
AE-OD-GY-200[UV,HV]-[D,P,M]-30-T2	S-5UQ7OC		Premium
AE-OD-GY-200[UV,HV]-[D,P,M]-30-T3	S-KW36GH		Premium
AE-OD-GY-200[UV,HV]-[D,P,M]-30-T4	S-5HVF86		Premium
AE-OD-GY-200[UV,HV]-[D,P,M]-30-T5	S-N3LPZC		Premium
AE-OD-GY-200[UV,HV]-[D,P,M]-40-T2	S-OPWJST		Premium
AE-OD-GY-200[UV,HV]-[D,P,M]-40-T3	S-6QW4V9		Premium
AE-OD-GY-200[UV,HV]-[D,P,M]-40-T5	S-Z2CKNA		Premium
AE-OD-GY-200[UV,HV]-[D,P,M]-50-T2	S-QM8ST2		Premium
AE-OD-GY-200[UV,HV]-[D,P,M]-50-T3	S-P4JZ05		Premium
AE-OD-GY-200[UV,HV]-[D,P,M]-50-T5	S-7STMU5		Premium
AE-OD-GY-200HV-[D,P,M]-40-T4	S-8IV5T1		Premium
AE-OD-GY-200HV-[D,P,M]-50-T4	S-T9GH7K		Premium
AE-OD-GY-200UV-[D,P,M]-40-T4	S-6FYGVS		Premium
AE-OD-GY-200UV-[D,P,M]-50-T4	S-ZF5ANB		Premium



DLC			
DLC MODEL	PRODUCT ID	Primary Use	Classification
AE-OD-GY-240[UV,HV]-[D,P,M]-30-T2	S-P81ROT	Outdoor Pole/Arm-Mounted Area and Roadway Luminaires	Premium
AE-OD-GY-240[UV,HV]-[D,P,M]-30-T3	S-SC57HZ		Premium
AE-OD-GY-240[UV,HV]-[D,P,M]-30-T4	S-4OUVB8		Premium
AE-OD-GY-240[UV,HV]-[D,P,M]-30-T5	S-J4CZAI		Premium
AE-OD-GY-240[UV,HV]-[D,P,M]-40-T2	S-OJEMW4		Premium
AE-OD-GY-240[UV,HV]-[D,P,M]-40-T3	S-V3XC9Q		Premium
AE-OD-GY-240[UV,HV]-[D,P,M]-40-T5	S-PW82VU		Premium
AE-OD-GY-240[UV,HV]-[D,P,M]-50-T2	S-7MBVO9		Premium
AE-OD-GY-240[UV,HV]-[D,P,M]-50-T3	S-7K6XH0		Premium
AE-OD-GY-240[UV,HV]-[D,P,M]-50-T5	S-J7VF2A		Premium
AE-OD-GY-240HV-[D,P,M]-40-T4	S-0YIGH2		Premium
AE-OD-GY-240HV-[D,P,M]-50-T4	S-S0ZF8X		Premium
AE-OD-GY-240UV-[D,P,M]-40-T4	S-KUA03V		Premium
AE-OD-GY-240UV-[D,P,M]-50-T4	S-4XYEOK		Premium
AE-OD-GY-300[UV,HV]-[D,P,M]-30-T5	S-ZAX9HJ		Premium
AE-OD-GY-300[UV,HV]-[D,P,M]-40-T2	S-VT51MD		Premium
AE-OD-GY-300[UV,HV]-[D,P,M]-40-T3	S-4XNF16		Premium
AE-OD-GY-300[UV,HV]-[D,P,M]-40-T5	S-C9USRE		Premium
AE-OD-GY-300[UV,HV]-[D,P,M]-50-T2	S-VRS2YA		Premium
AE-OD-GY-300[UV,HV]-[D,P,M]-50-T3	S-FVN5Z9		Premium
AE-OD-GY-300[UV,HV]-[D,P,M]-50-T5	S-U507RW		Premium
AE-OD-GY-300HV-[D,M,P,N]-40-T4	S-BPG61U		Premium
AE-OD-GY-300HV-[D,M,P,N]-50-T4	S-CPR6Y2		Premium
AE-OD-GY-300UV-[D,M,P,N]-40-T4	S-109G4Y		Premium
AE-OD-GY-300UV-[D,M,P,N]-50-T4	S-EWNB7D		Premium
AE-OD-GY-300UV-[D,P,M]-30(M)-T2	S-23BD8C		Premium
AE-OD-GY-300UV-[D,P,M]-30(M)-T3	S-3EJB0Z		Premium
AE-OD-GY-300UV-[D,P,M]-30(M)-T4	S-KYZMU2		Premium

DLC MODELS



DLC			
DLC MODEL	PRODUCT ID	Primary Use	Classification
AE-OD-GY-300UV-[D,P,M]-30(M)-T5	S-GJBMA9	Outdoor Pole/Arm-Mounted Area and Roadway Luminaires	Premium
AE-OD-GY-300UV-[D,P,M]-40(M)-T2	S-R798ZL		Premium
AE-OD-GY-300UV-[D,P,M]-40(M)-T3	S-W92ZDR		Premium
AE-OD-GY-300UV-[D,P,M]-40(M)-T4	S-I8E0PH		Premium
AE-OD-GY-300UV-[D,P,M]-40(M)-T5	S-M14Z59		Premium
AE-OD-GY-300UV-[D,P,M]-50(M)-T2	S-V800LP		Premium
AE-OD-GY-300UV-[D,P,M]-50(M)-T3	S-CRDOK9		Premium
AE-OD-GY-300UV-[D,P,M]-50(M)-T4	S-617953		Premium
AE-OD-GY-300[UV,HV]-[D,P,M]-30-T2	S-CP1L8M		Premium
AE-OD-GY-300[UV,HV]-[D,P,M]-30-T3	S-VPRLIG		Premium
AE-OD-GY-300UV-[D,P,M]-50(M)-T5	S-NQ435E		Premium
AE-OD-GY-300UV-[D,P,M]-57(M)-T2	S-8SIP49		Premium
AE-OD-GY-300UV-[D,P,M]-57(M)-T3	S-ZF8ACE		Premium
AE-OD-GY-300UV-[D,P,M]-57(M)-T4	S-PW42TX		Premium
AE-OD-GY-300UV-[D,P,M]-57(M)-T5	S-CSNGY2		Premium

### OVERVIEW



#### Innovative Design

- Aluminum die-cast housing and fins for better heat dissipation.
- Highly robust polycarbonate and high transmittance lens.



#### Multiple Options

- Six different powers from 80W to 300W.
- Black, white, aluminum, & bronze finishes.
- 4 CCTs: 22K, 30K, 40K, and 50K



#### Accessories

- 120-347V photocell
- Optical Shield



Photocell



#### Brackets

- Slip fitter
- Direct mount bracket
- Yoke mount



#### Distribution

- T2 | T3N | T3R | T3R | T4 | T5



#### Mountings Available

- Round / Square Pole Mount
- Wall mount



#### Protection

- Protected against dust ingress.
- Protected against water jets
- Impact resistant
- 10KV surge protector



Surge Protector



#### Tests And Certifications

