

GRETA

OUTDOOR LED LIGHT

Square Canopy Light

The GRETA Series outdoor luminaire is designed for parking garages, offering customizable options for color temperature and lumen output on site. Its sturdy construction ensures durability against outdoor conditions. The GRETA series is compatible with 120-277Vac and is ready for surface or pole mounting, as well as easy surface connection of EMTs.

Applications: Parking Garages | Building Entrance | Storage Facility | Loading Dock

eralux®

	DATE	QTY	ACC. QTY	TYPE
PROJECT				
PN				
ACCESSORY PN				
NOTES				



DYNAMIC MENU

Order Information	Page 2
Dimensions	Page 2
Accessories	Page 3
Photometric Data	Page 5

[Install Instruction link](#)

SPECIFICATIONS

Input Voltage	120-347V
Power Factor	>0.9
Total Harmonic Distortion	<20%
Dimming	0-10V
CRI	80 CRI
CCT	<div style="display: flex; gap: 10px;"> <div style="border: 1px solid black; border-radius: 50%; padding: 2px 5px;">30K</div> <div style="border: 1px solid black; border-radius: 50%; padding: 2px 5px;">40K</div> <div style="border: 1px solid black; border-radius: 50%; padding: 2px 5px;">50K</div> </div>
Efficacy	~125 lm/W
Power	28/35/40W 40/60/70W
Ambient Temperature Range	-40°C to 40°C
Mounting Options	Surface Mount Pole mount
Controls	Motion Sensor Photocell
Protection	IP65 (fixture and driver)
Fixture Finish	Bronze 
Distribution	155°



PRODUCT FEATURES



PRODUCT CERTIFICATIONS



Design Lights Consortium® (DLC) qualified product. Not all versions of this product may be DLC qualified. Please check the DLC Qualified Products List at www.designlights.org/QPL to confirm which versions are qualified" [page 2](#)

SYSTEM WARRANTY – 5 YEARS

Eralux will warrant defective drivers, LEDs and boards for 5 years from the date of purchase. This warranty is valid only if the fixture is installed and used as per installation guides and specifications. If a defect is present, Eralux will send drivers and boards at no fee with a thorough replacement instructions along with instructions on the return of the defective parts back to Eralux.

LUMEN MAINTENANCE – L70 at 100,000 hours

Rated for 70% initial lumen output at 100,000 hours of operation, operated at 25°C ambient temperature; per guidelines published by the Illuminating Engineering Society (IES).

OUTDOOR LED LIGHT

Square Canopy Light



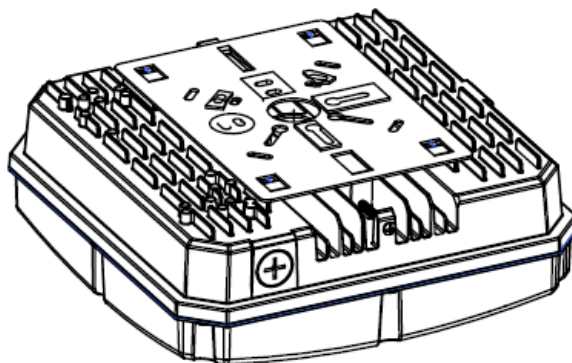
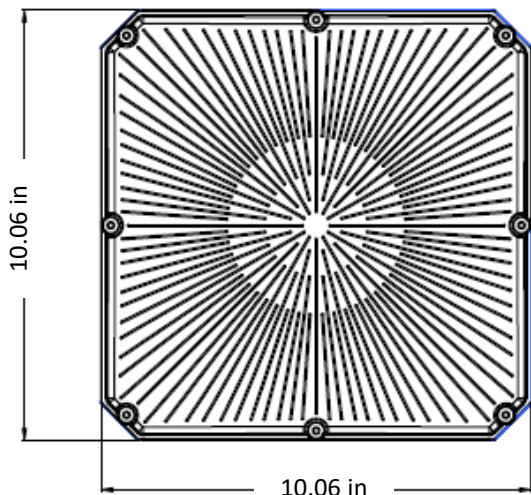
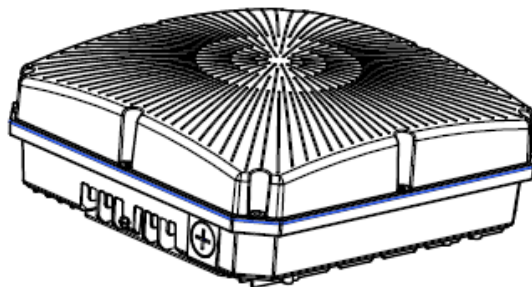
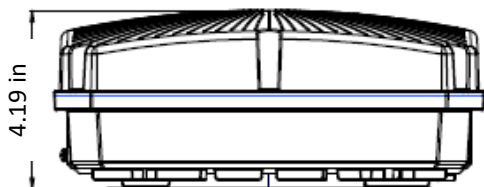
ORDERING GUIDE

AE-OD-GR		-30K/40K/50K	-G-TCP	-CA	
AE-OD-GR ERALUX Greta Outdoor Canopy light fixture	-40W 28/35/40W 3,360/4,200/5,400 lm -70W 40/60/70W 5,400/7,200/8,400 lm	-30K/40K/50K 3000K/4000K/5000K Switchable	-G-TCP Power and CCT Tunable	-CA 120-347V	[BLANK] -MS¹ Motion Sensor 120-277V -P Photocell -EM Emergency battery
Fixture Family	Power	CCT	Control	Voltage	Distribution

1. Motion sensor input voltage is 120-277V

DIMENSIONS - FIXTURE

AE-OD-GR-XXW-30K/40K/50K-G-TCP-CA-XX



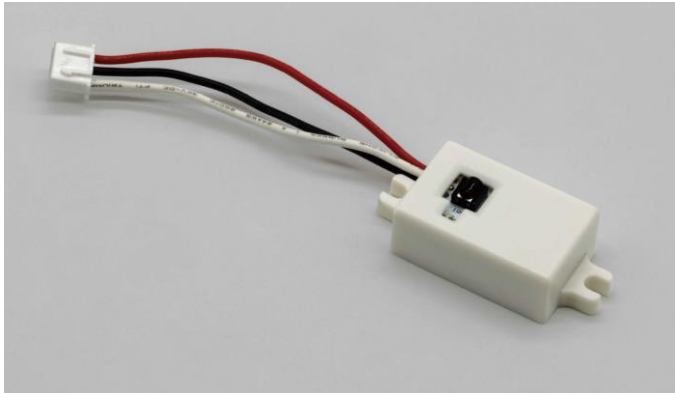
OUTDOOR LED LIGHT

Square Canopy Light

ACCESSORIES

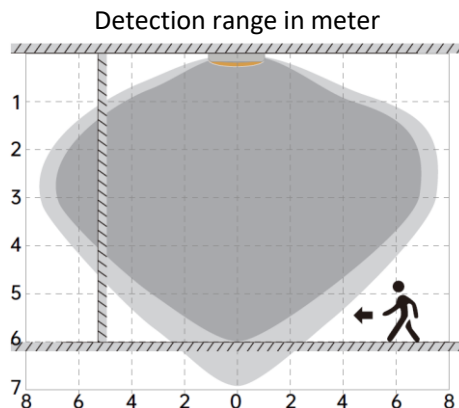
ACCESSORIES	ORDERING CODE
REMOTE CONTROL (HD05R)	AE-OD-GR-RMT
MOTION SENSOR (HD025VCR 12Vdc motion sensor)	AE-OD-GR-MOTIONSENSOR

Motion Sensor



Parameter	
Input voltage	10-15V
Working mode	1-10V step dimming
Operating temperature	-35°C to +60°C
Mounting height	20Ft Max 6 m Max
Detection area	10-23ft 3-7 m
Detection angle	360°
Factory setting	<ul style="list-style-type: none"> Detection area: 100 Hold Time: 5S Stand-by Period: 0S Stand-by dim level:10% Daylight Sensor: Disable

Sensor parameter	
Sensitivity Setting	25%/50%/50%
Hold time	5s/30s/1min/3min/5min/10min/20min/30min
Stand-by DIM Level	10%/20%/30%/50%
Stand-by Period	0s/10s/30s/1min/5min/10min/30min/60min/+∞
Daylight Sensor	2Lux/10Lux/30Lux/50Lux/80Lux/120Lux/200Lux/ Disable



OUTDOOR LED LIGHT

Square Canopy Light

ACCESSORIES

EMERGENCY LED DRIVER (Integrated)

EMQ- 08300DO- HY

OUTPUT POWER : 8W

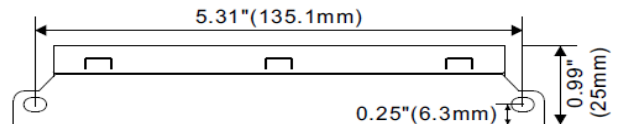
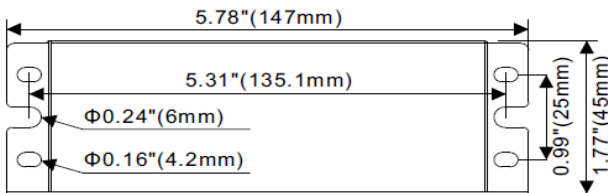
EMQ- 15300DO- HY

SPECIFICATION	
INPUT VOLTAGE	100-347Vac
INPUT CURRENT	100mA max
RECHARGE TIME	24Hrs
DISCHARGE TIME	1.5H
EMERGENCY POWER	8W



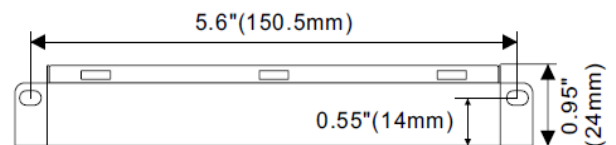
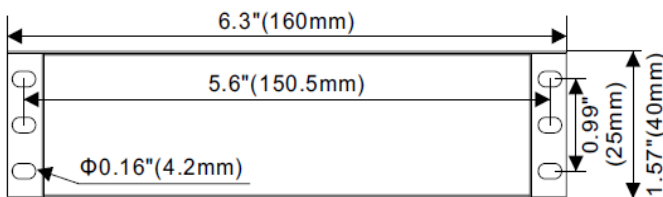
Introducing a UL-listed emergency lighting solution for the US and Canada, featuring high output voltage, self-testing, and overcharge/discharge protection. Compliant with UL924 and CSA C22.2 NO.141, it's suitable for field or factory installation and integrates seamlessly with LED drivers. With low energy consumption and Title20 compliance, it offers 8W emergency power options, a quick 24-hour recharge time, and 1.5-hour discharge time.

DRIVER DIMENSIONS



BATTERY DIMENSIONS

8/15W VERSION



OUTDOOR LED LIGHT

Square Canopy Light

LUMEN ESTIMATE

Lumen output varies based on CCT and CRI. An estimate of lumen output of the various CCT/CRI combinations, use correction factors as per table below:

LUMEN ESTIMATE ADJUSTMENT FACTORS			
CCT	3000K	3500K	4000K
PREMIUM (90CRI)	0.94	0.97	1

PHOTOMETRIC DATA

PART NUMBER		ZONAL LUMEN SUMMARY			POLAR LUMINOUS INTENSITY
AE-OD-GR-70W-30K/35K/40K-G-TCP-CA		Zone	Lumens	% Fixture	
Wattage	70W	0-20°	536.21	6.1	
CCT	4000K	0-30°	1249.08	14.2	
Distribution	155°	0-40°	2312.61	26.3	
		0-60°	5240	59.6	
		0-80°	7834.75	89.2	
		0-90°	8333.33	94.8	
CONE DISTRIBUTION		ISO FOOTCANDLE PLOT			
Center Beam Fc	Beam Width	Distances are in units of mounting height 20ft			
3.3ft	125 fc 18.5 ft	4 3 2 1 0 1 2 3			
6.7ft	30.2 fc 37.5 ft	3			
10.0ft	13.6 fc 56.0 ft	2			
13.3ft	7.67 fc 74.4 ft	1			
16.7ft	4.87 fc 93.5 ft	0			
20.0ft	3.39 fc 111.9 ft	1			
■ Vert. Spread: 140.7° ■ Horiz. Spread: 155.9°		2			
		3			

DLC MODELS



PRODUCT ID	DLC MODEL
S-NDO6T0	AE-OD-GR-70W-30K/40K/50K-G-TCP-CA-[Blank;(PC),(BT),(BTP)]
S-ONV9M8	AE-OD-GR-40W-30K/40K/50K-G-TCP-CA-[Blank;(PC),(BT),(BTP)]

OUTDOOR LED LIGHT

Square Canopy Light

OVERVIEW



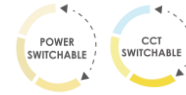
Innovative Design

- Aluminum die cast housing and fins for better heat dissipation.
- Highly robust polycarbonate and high transmittance lens.



Multiple Options

- Power tunable for 28/35/40W and 40/60/70W
- CCT switchable 30/40/50K



Accessories

- 120-347V photocell
- 8W Emergency Battery Back up
- Motion sensor



Emergency Backup Battery



Motion Sensor



Photocell



Mountings Available

- Pole Mount
- Surface mount



Protection



- Protected against dust ingress.
- Protected against water jets



Tests And Certifications

