

IDA

OUTDOOR PRODUCTS

Outdoor flood light



eralux®

IP65



Introducing the Ida Series, with its sleek and distinguished high-quality look for our outdoor flood fixture. Made with robust die casting aluminum and tempered glass optical lenses, being IP65 rated, the Ida series can withstand the harshest of outdoor elements. It also allows flexibility on field with its CCT and power selectable options, perfect for lighting spaces such as gardens, balconies, public areas and other outdoor areas.

DATE	
PROJECT NAME	
TYPE	
QTY	
ORDERING CODE	AE-OD-ID - S -CA-8SC1-010 - -BZ

OPERATING & ELECTRICAL

INPUT VOLTAGE	120-277/347 V
POWER FACTOR	0.9
DIMMING	0 – 10 V dimming
TOTAL HARMONIC DISTORTION (THD)	<20%

PERFORMANCE

LUMENS PER WATT	~140 LPW at 80CRI and 4000K
POWER CONSUMPTION	15/25/35W and 45/60/80W
DISTRIBUTION	7H * 7V

MECHANICAL & HOUSING

HOUSING	Die casting aluminum for increased rigidity and strength
LENS	High translucent tempered glass lenses ensures high efficiency light output for a clean, evenly illuminated surface with minimal glare
FINISH	Bronze
POWER SUPPLY	Factory wired electronic LED driver
LED BOARD	LED Array

APPLICATION CONDITION

AMBIENT TEMPERATURE RANGE	-40 °C to 40°C
PROTECTION	LED fixture IP65 rated
SURGE PROTECTION	4kV and 6kV LN-PE

COMPATIBLE MOUNTING

MOUNTING	Knuckle Mount Trunnion Bracket
----------	-----------------------------------

WARRANTY

SYSTEM WARRANTY – 5 YEARS

Eralux will warrant defective drivers, LEDs and boards for 5 years from the date of purchase. This warranty is valid only if the fixture is installed and used as per installation guides and specifications. If a defect is present, Eralux will send drivers and boards at no fee with a thorough replacement instructions along with instructions on the return of the defective parts back to Eralux.

LUMEN MAINTENANCE – L85 at 50,000 hours

Rated for 85% initial lumen output at 50,000 hours of operation, operated at 25°C ambient temperature; per guidelines published by the Illuminating Engineering Society (IES)

DATE	
PROJECT NAME	
TYPE	
QTY	
ORDERING CODE	AE-OD-ID - S -CA-8SC1-010 - -BZ

ORDERING GUIDE

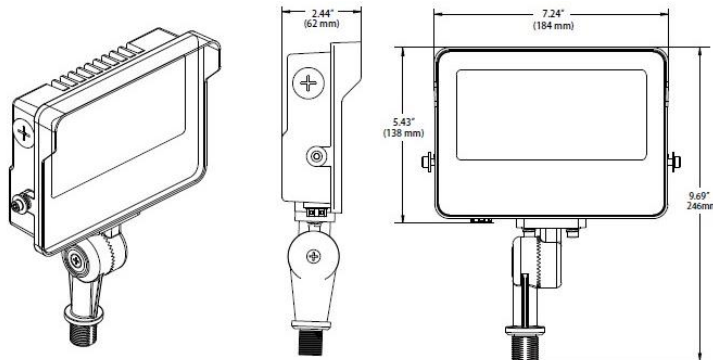
EXAMPLE: AE-OD-ID-35S-CA-8SC1-010-A-BZ

FIXTURE FAMILY	POWER	INPUT VOLTAGE	CRI	CCT	DIMMING	MOUNTING	FINISH	
AE-OD-ID	-	S	-CA	-8	SC1	-010	-	-BZ
AE-OD-ID ERALUX IDA Series outdoor flood light fixture	-35S 15/25/35W selectable	-CA 120-277/347V input voltage	-8 Ra > 80	SC1 3000K/4000K/5000K CCT selectable	-010 0 – 10 V dimming	-A Knuckle Mounted	-BZ Bronze Finish	
	-80S 45/60/80W selectable					-B Trunion Mounted		
						-E No Brackets		

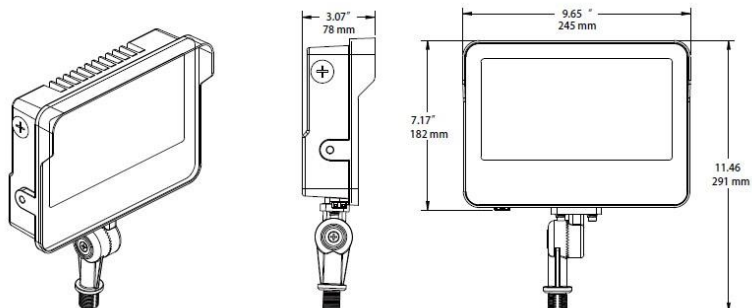
It comes with an integrated photocell

PRODUCT DIMENSIONS (in mm)

AE-OD-ID-35S-CA-8SC1-010-A-BZ



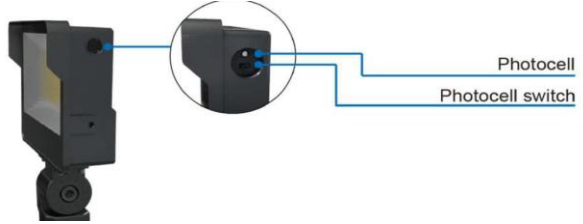
AE-OD-ID-80S-CA-8SC1-010-A-BZ



DATE					
PROJECT NAME					
TYPE					
QTY					
ORDERING CODE	AE-OD-ID	-	S -CA-8SC1-010	-	-BZ

INTEGRATED PHOTOCELL

The IDA comes with an integrated Photocell. The photocell can be switched on or off as desired.



LUMEN ESTIMATE

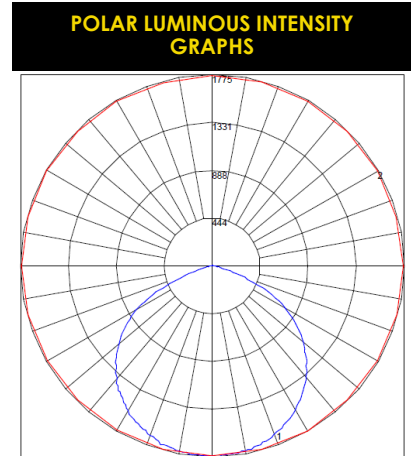
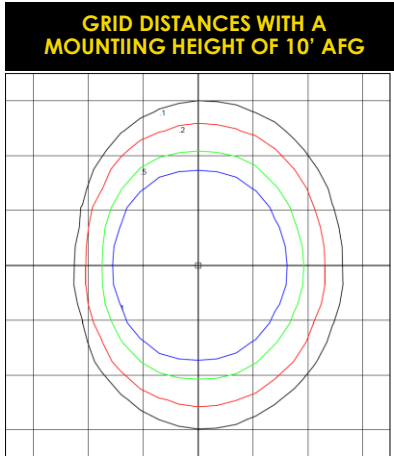
Lumen output varies based on CCT and CRI. An estimate of lumen output of the various CCT/CRI combinations, use correction factors as per table below:

LUMEN ESTIMATE ADJUSTMENT FACTORS

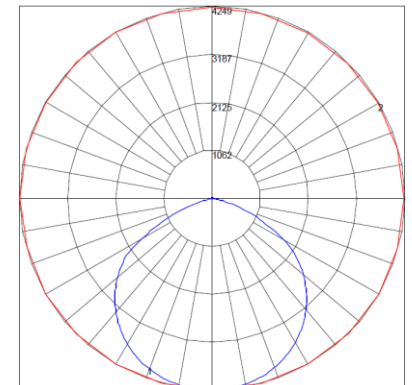
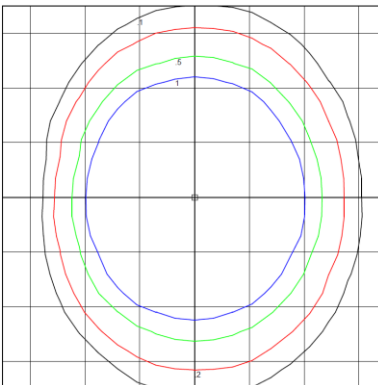
CCT	2700K	3000K	3500K	4000K
PREMIUM (90CRI)	.96	1	1.03	1.06

PHOTOMETRIC DATA

AE-OD-ID-35S-CA-8SC1-010-X-BZ
35W 4000K



AE-OD-ID-80S-CA-8SC1-010-X-BZ
80W 4000K



DATE						
PROJECT NAME						
TYPE						
QTY						
ORDERING CODE	AE-OD-ID	-	S	-CA-8SC1-010	-	-BZ

OVERVIEW



MOUNTING METHOD

Select from knuckle mount or Trunnion bracket mounting methods.

PROTECTION

Integrated surge protection, LED fixture and driver IP65 rated all allows for protection against harsh environmental conditions.

PREMIUM DESIGN & MATERIALS

Aluminum die cast housing for superior thermal heat dissipation, strength, and rigidity. Integrated fin heat dissipation structure built into the fixture's housing provides long lasting LED and driver function.

SELECTIVITY

With selectable on field power and color temperature, this fixture enables you to customize your unique fixture to your project space.