

IRIS

TRACK LED LIGHT

Cylinder Track Head | 1.7" Aperture | 3.2" Length

The IRIS is a track head with semi exposed heatsink that offers a range of optical options, and variety fixture finishes making it an attractive addition. This product also comes standard at 90 CRI but also caters to lighting experts with a high-GAI (Gamut Area Index) option for an enhanced visual effect on products. With straight forward installation, adjustments to the lighting can be made quickly and effortlessly on field. Applications: Art Galleries | Show Rooms | Retail Stores | Hospitality.



DATE	QTY	ACC. QTY	TYPE
PROJECT			
PN			
ACCESSORY PN			
NOTES			

DYNAMIC MENU

Order Information	Page 2
Dimensions	Page 3
Accessories	Page 3
Photometric Data	Page 5

[Install Instruction link](#)

SPECIFICATIONS

Input Voltage	120V
Power Factor	>0.9
Total Harmonic Distortion	<20%
Dimming Page 4	TRIAC dimming
CRI	90 CRI
CCT	<div style="display: flex; gap: 10px;"> <div style="border: 1px solid black; border-radius: 50%; width: 20px; height: 20px; background-color: #fff9c4; display: flex; align-items: center; justify-content: center;">27K</div> <div style="border: 1px solid black; border-radius: 50%; width: 20px; height: 20px; background-color: #fff176; display: flex; align-items: center; justify-content: center;">30K</div> <div style="border: 1px solid black; border-radius: 50%; width: 20px; height: 20px; background-color: #e0e0e0; display: flex; align-items: center; justify-content: center;">35K</div> <div style="border: 1px solid black; border-radius: 50%; width: 20px; height: 20px; background-color: #bbdefb; display: flex; align-items: center; justify-content: center;">40K</div> </div>
Efficacy	~81-93 lm/W
Power	14 W
Ambient Temperature Range	-10°C to 35°C
Mounting Adapter	Juno Global Halo Lightolier
Mounting Options	Track System Monopoint
Fixture Finish	Black White Silver
Distribution	Narrow Flood Wide Very Wide



PRODUCT CERTIFICATIONS



SYSTEM WARRANTY – 5 YEARS

Eralux will warrant defective drivers, LEDs and boards for 5 years from the date of purchase. This warranty is valid only if the fixture is installed and used as per installation guides and specifications. If a defect is present, Eralux will send drivers and boards at no fee with a thorough replacement instructions along with instructions on the return of the defective parts back to Eralux.

LUMEN MAINTENANCE – L70 at 50,000 hours

Rated for 70% initial lumen output at 50,000 hours of operation, operated at 25°C ambient temperature; per guidelines published by the Illuminating Engineering Society (IES).

TRACK LED LIGHT

Cylinder Track Head | 1.7" Aperture | 4.7" Length



ORDERING GUIDE

AE-TL-IR	12					
AE-TL-IR ERALUX Iris Track Head	12 120V	NF Narrow Flood 21° FL Flood 27° WF Wide Flood 36° VF Very Wide Flood 59°	P Premium 90 CRI S¹ Superior HIGH-GAI	27 2700K 30 3000K 35 3500K 40 4000K	J1 Juno G1 Global H1 Halo L1 Lightolier	BK Black powder coat WH White powder coat SV Silver powder Coat

Fixture Family	Input Voltage	Distribution	CRI	CCT	Adapter	Finish
-----------------------	----------------------	---------------------	------------	------------	----------------	---------------

1. Available only at 3000k & 3500k



ORDERING GUIDE-ACCESSORIES

Ordered separately

T10016 Monopoint Mounting	-BK Black
T10017 Duopoint Mounting	-WH White

Mounting	Finish
-----------------	---------------

ORDERING GUIDE- TRACK SYSTEM

Track system and components are ordered with the track head if needed.

Refer to the links below for more information

T1
ERALUX Track T1
Compatible with Juno system-1 circuit

T2
ERALUX Track T2
Compatible with Juno system-2 circuit

H1
ERALUX Track H1
Compatible with Halo system-1 circuit

- 2** 2ft track
- 4** 4ft track
- 6** 6ft track
- 8** 8ft track
- 12** 12ft track
- 0001** Mini I Connector
- 0002** T Connector
- 0003** L Connector
- 0004** X Connector
- 0015** End Feed

-BK
Black Finish

-WH
White Finish

Track System	Component	Finish	PN	QTY
---------------------	------------------	---------------	-----------	------------

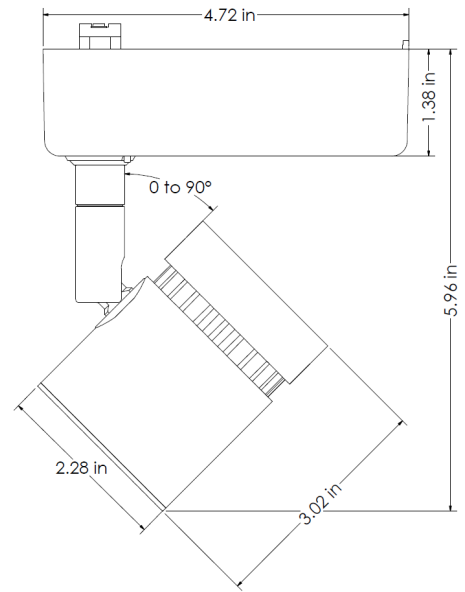
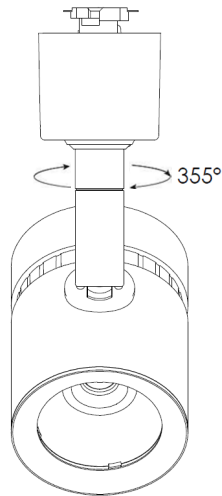
TRACK LED LIGHT

Cylinder Track Head | 1.7" Aperture | 4.7" Length

DIMENSIONS

AE-TL-IR-12

- Rotation up to 355°
- Tilt +/- 90°



ACCESSORIES

MOUNTING

ORDERING CODE		DESCRIPTION	PICTURE
T10016	-WH	Monopoint adapter Surface / wall mount Compatible with Juno system 1 Track head can be installed.	
	-BK		
T10017	-WH	Duopoint adapter Surface / wall mount Compatible with Juno system. 2 Track heads can be installed.	
	-BK		

TRACK LED LIGHT

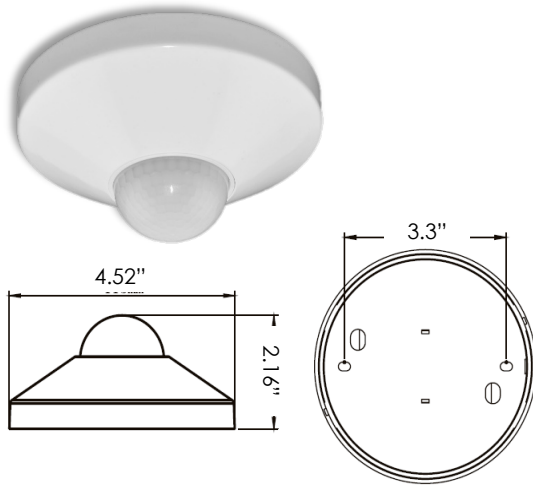
Cylinder Track Head | 1.7" Aperture | 4.7" Length

ROOM OCCUPANCY SENSOR

Ordered separately, field installed

PART NUMBER	DESCRIPTION
AE-CT-DT806	Line Voltage Motion Sensor
RC102	RC102 Remote Control

SPECIFICATIONS		
Input Voltage	120-277 Vac	
Power Frequency	50/60HZ	
Rated Load	At 120 Vac	800W
	At 277 Vac	1200W
Detection Range	3-10 Meters	
	9.8-32.75 Feet	
Standby Power	~0.9W	
Time Setting	10 sec to 30 min	
Light Control	10-2,000LUX	
Installation	Ceiling Mounted	



DIMMER COMPATIBILITY LIST

TRIAC/ELV Dimming

Brand	Model	Brand	Model
Leviton	6602-X	Lutron	SLV-600
	6681-X		S2-LX
	6683-X		GL-600H
	6684-X		NFTU-5A
	6633		DVLV-600P
	6674	Cooper	9530XXX
	IPI06-1LZ	Lightolier	MP600X
	700-X	Advance	SR150LED120
	705-X		

TRACK LED LIGHT

Cylinder Track Head | 1.7" Aperture | 4.7" Length

LUMEN ESTIMATE

Lumen output varies based on CCT and CRI. An estimate of lumen output of the various CCT/CRI combinations, use correction factors as per table below:

LUMEN ESTIMATE ADJUSTMENT FACTORS

CCT	2700K	3000K	3500K	4000K
90CRI	0.93	0.86	0.93	0.93

PHOTOMETRIC DATA

PART NUMBER		ZONAL LUMEN SUMMARY			POLAR LUMINOUS INTENSITY	CONE DISTRIBUTION			
AE-TL-IR12NFX30X1XX		Zone	Lumens	% Fixture	Direct Light	Center Beam Fc		Beam Width	
Wattage	14W	0-20°	496.59	39.7		1.7ft	1046 fc	0.6 ft	0.6 ft
CCT	3000K	0-30°	780.98	62.5		3.3ft	278 fc	1.2 ft	1.3 ft
Distribution	21°	0-40°	1063.16	85		5.0ft	121 fc	1.9 ft	1.9 ft
		0-60°	1181.72	94.5		6.7ft	67.4 fc	2.5 ft	2.5 ft
		0-80°	1202.33	96.1		8.3ft	43.9 fc	3.1 ft	3.2 ft
		0-90°	1210.01	96.8		10.0ft	30.2 fc	3.8 ft	3.8 ft
						■ Vert. Spread: 21.3° ■ Horiz. Spread: 21.5°			

PART NUMBER		ZONAL LUMEN SUMMARY			POLAR LUMINOUS INTENSITY	CONE DISTRIBUTION			
AE-TL-IR12FLX30X1XX		Zone	Lumens	% Fixture	Direct Light	Center Beam Fc		Beam Width	
Wattage	14W	0-20°	492.02	39.9		1.7ft	851 fc	0.8 ft	0.8 ft
CCT	3000K	0-30°	786.64	63.8		3.3ft	226 fc	1.6 ft	1.6 ft
Distribution	27°	0-40°	1064.47	86.3		5.0ft	98.4 fc	2.4 ft	2.4 ft
		0-60°	1178.06	95.5		6.7ft	54.8 fc	3.2 ft	3.2 ft
		0-80°	1195.34	96.9		8.3ft	35.7 fc	3.9 ft	4.0 ft
		0-90°	1201.59	97.4		10.0ft	24.6 fc	4.7 ft	4.8 ft
						■ Vert. Spread: 26.6° ■ Horiz. Spread: 26.9°			

PART NUMBER		ZONAL LUMEN SUMMARY			POLAR LUMINOUS INTENSITY	CONE DISTRIBUTION			
AE-TL-IR12VWF30X1XX		Zone	Lumens	% Fixture	Direct Light	Center Beam Fc		Beam Width	
Wattage	14W	0-20°	468.36	38.9		1.7ft	625 fc	1.1 ft	1.1 ft
CCT	3000K	0-30°	765.87	63.6		3.3ft	166 fc	2.2 ft	2.2 ft
Distribution	36°	0-40°	1036.21	86		5.0ft	72.2 fc	3.3 ft	3.3 ft
		0-60°	1149.14	95.4		6.7ft	40.2 fc	4.4 ft	4.4 ft
		0-80°	1167.96	97		8.3ft	26.2 fc	5.5 ft	5.5 ft
		0-90°	1173.57	97.4		10.0ft	18.1 fc	6.6 ft	6.6 ft
						■ Vert. Spread: 36.4° ■ Horiz. Spread: 36.4°			

PART NUMBER		ZONAL LUMEN SUMMARY			POLAR LUMINOUS INTENSITY	CONE DISTRIBUTION			
AE-RC-MBCA-25LBNXX		Zone	Lumens	% Fixture	Direct Light	Center Beam Fc		Beam Width	
Wattage	14W	0-20°	385.41	31.2		1.7ft	426 fc	2.1 ft	2.1 ft
CCT	3000K	0-30°	731.75	59.3		3.3ft	113 fc	4.0 ft	4.0 ft
Distribution	59°	0-40°	1041.44	84.4		5.0ft	49.3 fc	6.1 ft	6.1 ft
		0-60°	1166.39	94.5		6.7ft	27.4 fc	8.1 ft	8.2 ft
		0-80°	1193.91	96.7		8.3ft	17.9 fc	10.1 ft	10.1 ft
		0-90°	1200.76	97.3		10.0ft	12.3 fc	12.1 ft	12.2 ft
						■ Vert. Spread: 62.4° ■ Horiz. Spread: 62.6°			

TRACK LED LIGHT

Cylinder Track Head | 1.7" Aperture | 4.7" Length

OVERVIEW



Innovative Design

- Selected aluminum for better heat dissipation.
- Improved design extends LED and driver lifespan.



Multiple Options

- Variety of beam angles.
- Four CCTs available.
- Black, white, and silver finishes.



Mountings Available

- Choose from any of the popular track systems such as Juno, Halo, Lightolier, or Global.
- Surface mount with either monopoint or duopoint adapters.



Tests And Certifications

