

TRACK T1

TRACK ACCESSORIES & SYSTEM

DATE	
PROJECT NAME	
TYPE	
QTY	
NOTES	

DESCRIPTION



120V 50/60 Hz 20A Max



ERALUX Track 1 is compatible with Juno single circuit Adapters.

Track / Power Distribution System is suitable for retail, commercial and residential use.

Ships with one T0009 (end cap) installed Extruded aluminum "I" beam. Thermoplastic insulator. Two #12 AWG solid copper conductors.

LENGTH	PART NO.	LENGTH
2'	T1-2	512 mm (20.16")
4'	T1-4	1122 mm (44.17")
6'	T1-6	1732 mm (68.19")
8'	T1-8	2341 mm (92.17")
12'	T1-12	3581.4 mm(141")

ORDER CODE

Example: T1-2-WHT

FAMILY	LENGTH	FINISH
T1-		-
T1- ERALUX T1 single circuit Juno compatible track systems	2 2' track system	-WHT White Finish
	4 4' track system	-BLK Black Finish
	6 6' track system	-SLV Silver Finish
	8 8' track system	
	12 12' track system	

WARRANTY

SYSTEM WARRANTY – 3 YEARS

Eralux will warrant defective drivers, LEDs and boards for 5 years from the date of purchase. This warranty is valid only if the fixture is installed and used as per installation guides and specifications. If a defect is present, Eralux will send drivers and boards at no fee with a thorough replacement instructions along with instructions on the return of the defective parts back to Eralux.

DATE	
PROJECT NAME	
TYPE	
QTY	
NOTES	

TRACK COMPONENTS



MINI I CONNECTOR

T10001



T CONNECTOR

T10002
T10002R (Reverse)



L CONNECTOR

T10003



X CONNECTOR

T10004



FLOATING CANOPY

T10005



CONDUIT END FEED

T10006
T10006R (Reverse)



FLEXIBLE CONNECTOR

T10007



END FEED KIT + COVER

T10008



END CAP

T10009

PRODUCT ORDERING COLOR CODES

WHITE (-WHT), BLACK (-BLK), SILVER (-SLV)

DATE	
PROJECT NAME	
TYPE	
QTY	
NOTES	

TRACK COMPONENTS



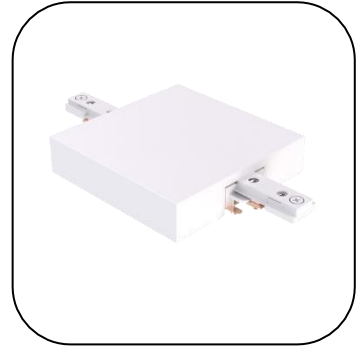
PENDANT LUMINAIRE ADAPTER, CHAIN

T10010



PENDANT LUMINAIRE ADAPTER, CORD

T10011



T-Bar Connector

T10012



T-Bar End Feed

T10013



Mounting Accessory For T-bar Grid Ceilings

T10014



Top Access End Feed

T10015

T10015R (Reverse)



Line Voltage Mono-Point Adapter

T10016



Duo-Point Adapters

T10017



Line Voltage Sloped Ceiling Adapter

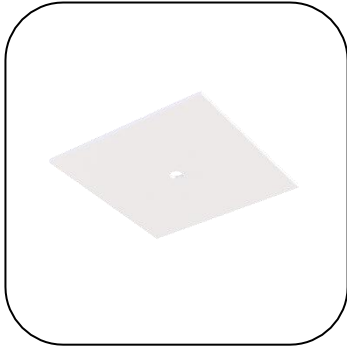
T10018

TRACK T1

TRACK ACCESSORIES & SYSTEM

DATE	
PROJECT NAME	
TYPE	
QTY	
NOTES	

TRACK COMPONENTS



Cover Plate

T10020



Single Circuit End Feed

T10021



Thin Single Circuit End Feed

T10026



Single Circuit In-Line Feed

T10023

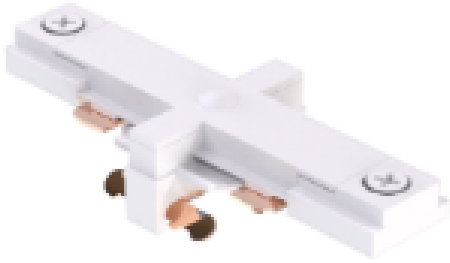
TRACK T10001

TRACK ACCESSORIES & SYSTEM

DATE	
PROJECT NAME	
TYPE	
QTY	
NOTES	

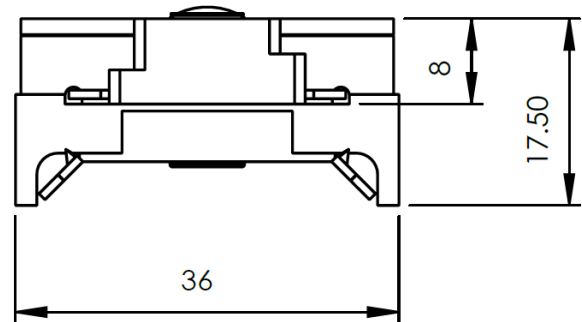
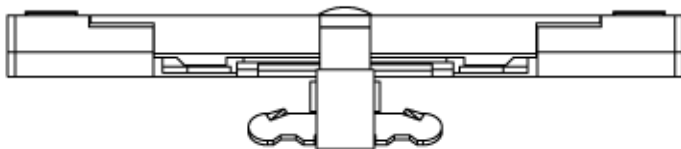
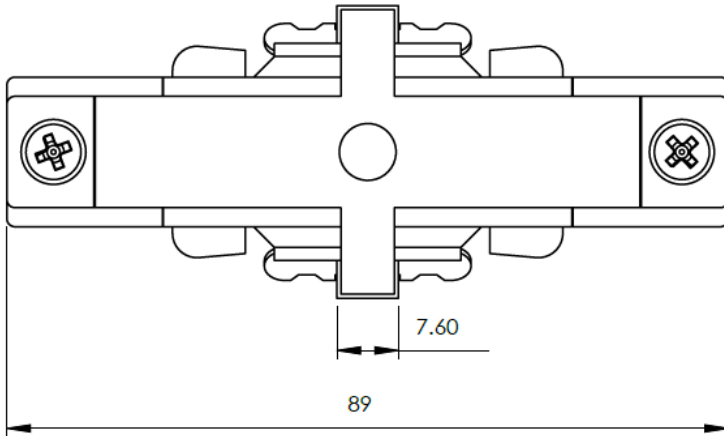
TRACK COMPONENTS

MINI I CONNECTOR



Color	Ordering Code
Black	T10001-BLK
White	T10001-WHT
Silver	T10001-SLV

DIMENSIONS (in mm)



TRACK T10002

TRACK ACCESSORIES & SYSTEM

DATE	
PROJECT NAME	
TYPE	
QTY	
NOTES	

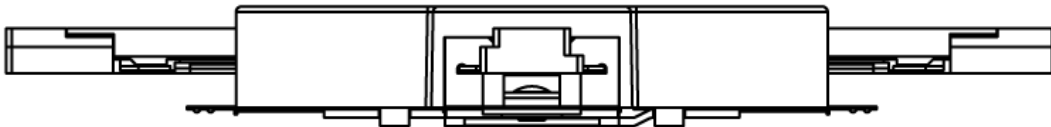
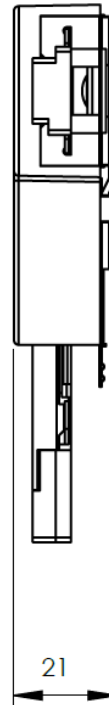
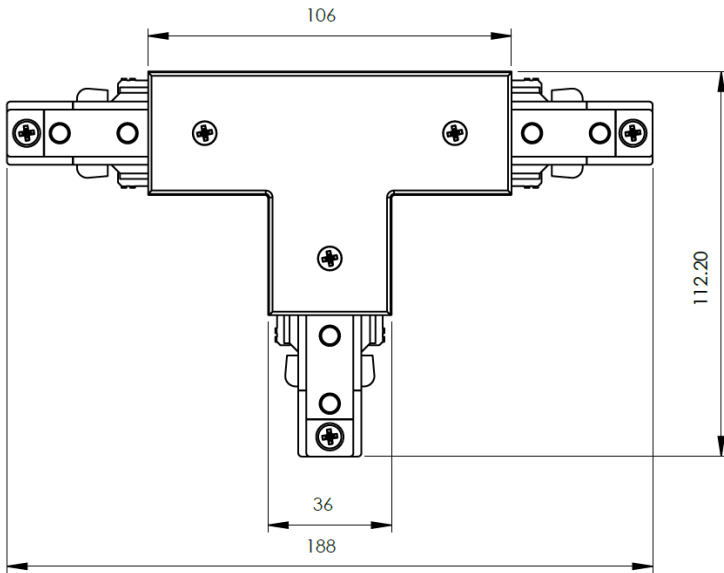
TRACK COMPONENTS

T CONNECTOR



Color	Ordering Code
Black	T10002-BLK
White	T10002-WHT
Silver	T10002-SLV

DIMENSIONS (in mm)



TRACK T10003

TRACK ACCESSORIES & SYSTEM

DATE	
PROJECT NAME	
TYPE	
QTY	
NOTES	

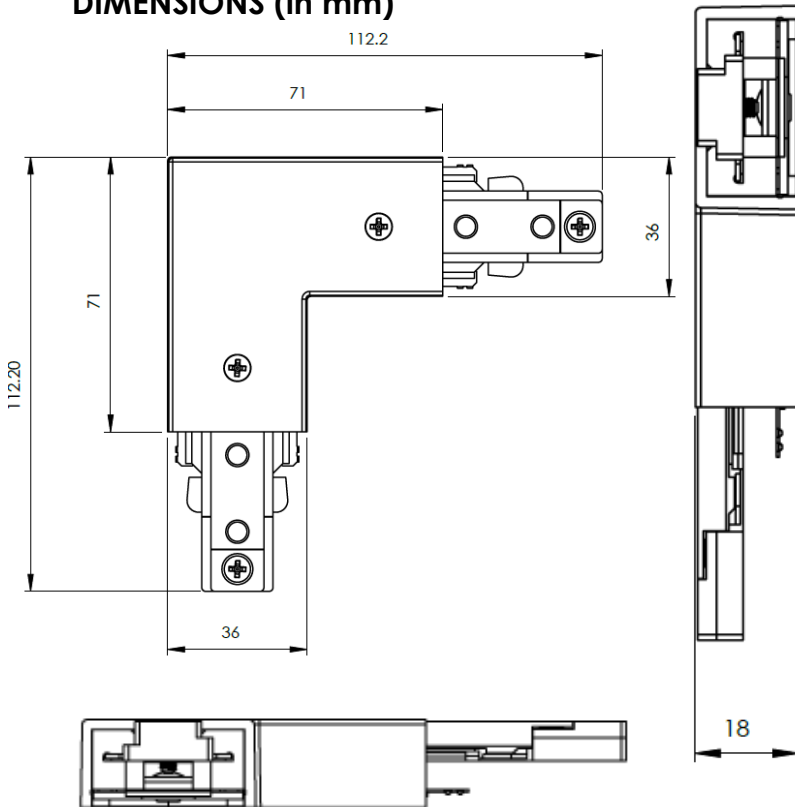
TRACK COMPONENTS

L CONNECTOR



Color	Ordering Code
Black	T10003-BLK
White	T10003-WHT
Silver	T10003-SLV

DIMENSIONS (in mm)



Color	Ordering Code
Black	AE-TS-LCONNECTOR-COVER-BK
White	AE-TS-LCONNECTOR-COVER-WHT

* L CONNECTOR + COVER → STRAIGHT CONNECTOR + POWER FEED *

TRACK T10004

TRACK ACCESSORIES & SYSTEM

DATE	
PROJECT NAME	
TYPE	
QTY	
NOTES	

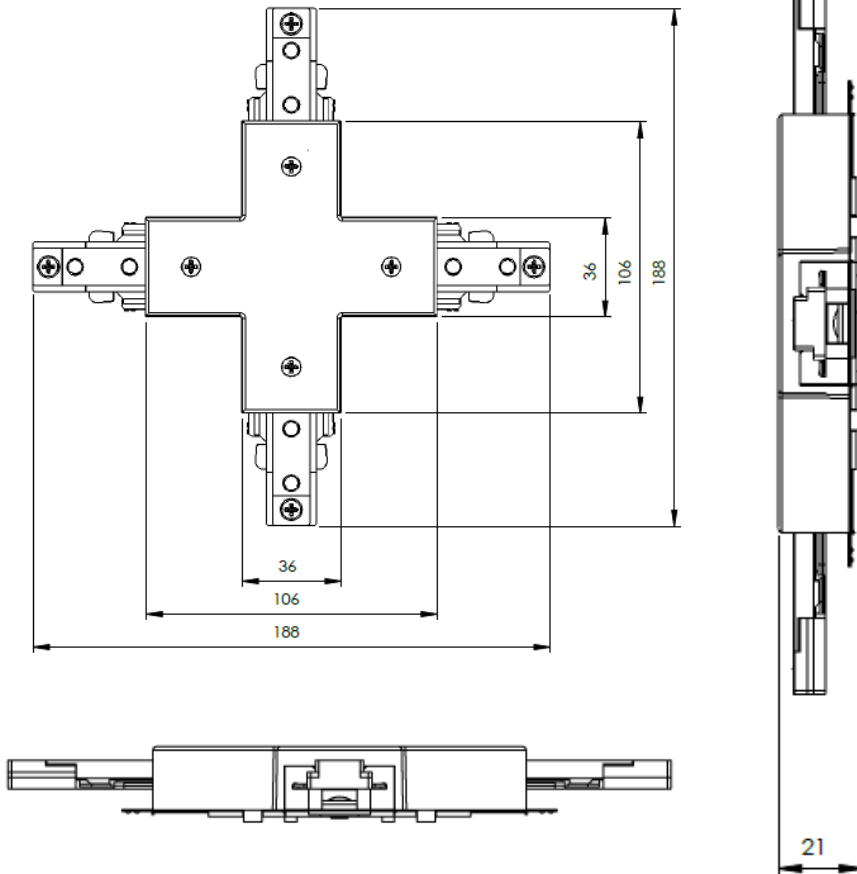
TRACK COMPONENTS

X CONNECTOR



Color	Ordering Code
Black	T10004-BLK
White	T10004-WHT
Silver	T10004-SLV

DIMENSIONS (in mm)



TRACK T10005

TRACK ACCESSORIES & SYSTEM

DATE	
PROJECT NAME	
TYPE	
QTY	
NOTES	

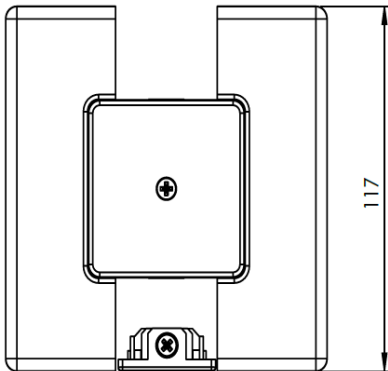
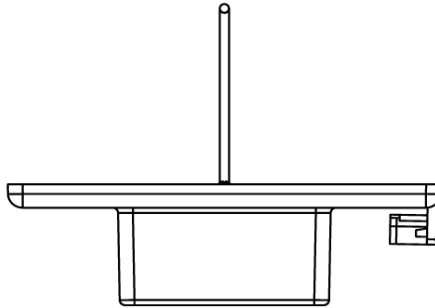
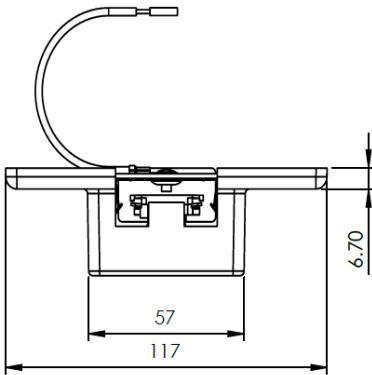
TRACK COMPONENTS

FLOATING CANOPY



Color	Ordering Code
Black	T10005-BLK
White	T10005-WHT
Silver	T10005-SLV

DIMENSIONS (in mm)



DATE	
PROJECT NAME	
TYPE	
QTY	
NOTES	

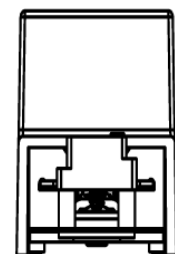
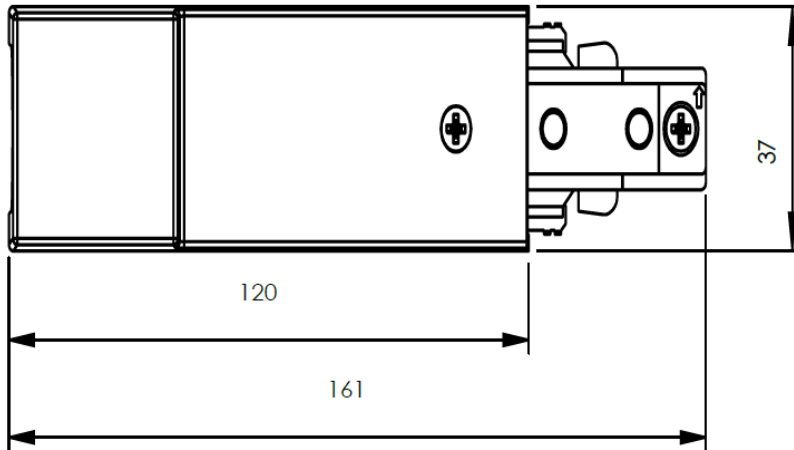
TRACK COMPONENTS

CONDUIT END FEED



Color	Ordering Code
Black	T10006-BLK
White	T10006-WHT
Silver	T10006-SLV

DIMENSIONS (in mm)



TRACK T10007

TRACK ACCESSORIES & SYSTEM

DATE	
PROJECT NAME	
TYPE	
QTY	
NOTES	

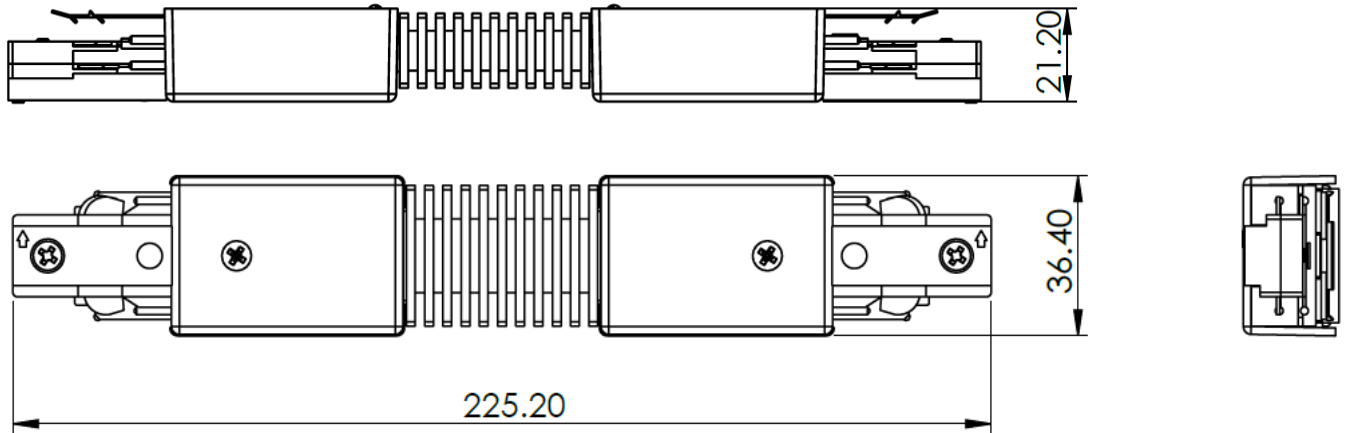
TRACK COMPONENTS

FLEXIBLE CONNECTOR



Color	Ordering Code
Black	T10007-BLK
White	T10007-WHT
Silver	T10007-SLV

DIMENSIONS (in mm)



TRACK T10008

TRACK ACCESSORIES & SYSTEM

DATE	
PROJECT NAME	
TYPE	
QTY	
NOTES	

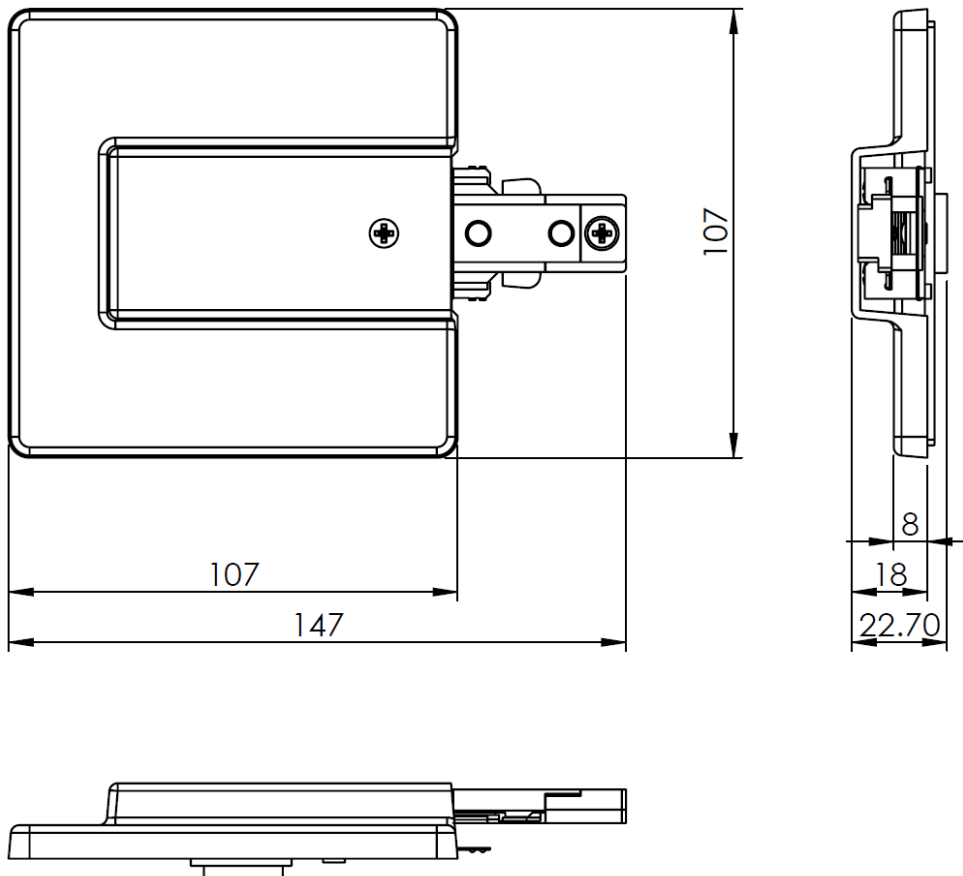
TRACK COMPONENTS

END FEED KIT + COVER



Color	Ordering Code
Black	T10008-BLK
White	T10008-WHT
Silver	T10008-SLV

DIMENSIONS (in mm)



TRACK T1

TRACK ACCESSORIES & SYSTEM

DATE	
PROJECT NAME	
TYPE	
QTY	
NOTES	

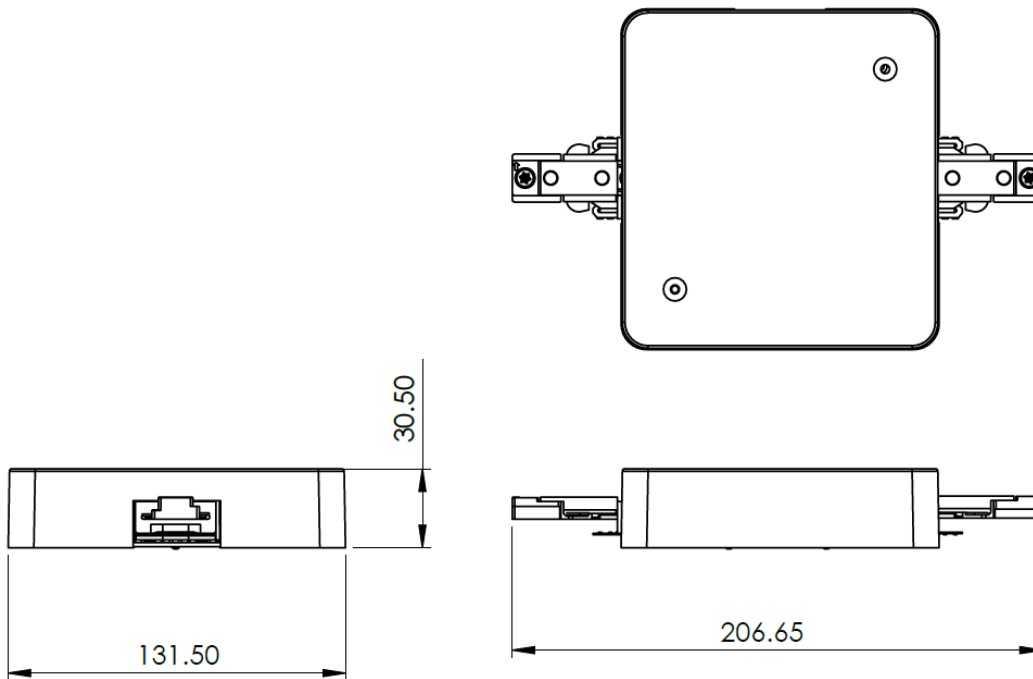
TRACK COMPONENTS

T-Bar Connector



Color	Ordering Code
Black	T10012-BLK
White	T10012-WHT
Silver	T10012-SLV

DIMENSIONS (in mm)



TRACK T10013

TRACK ACCESSORIES & SYSTEM

DATE	
PROJECT NAME	
TYPE	
QTY	
NOTES	

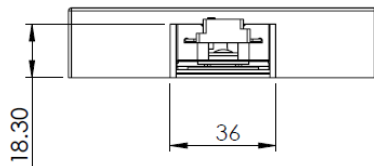
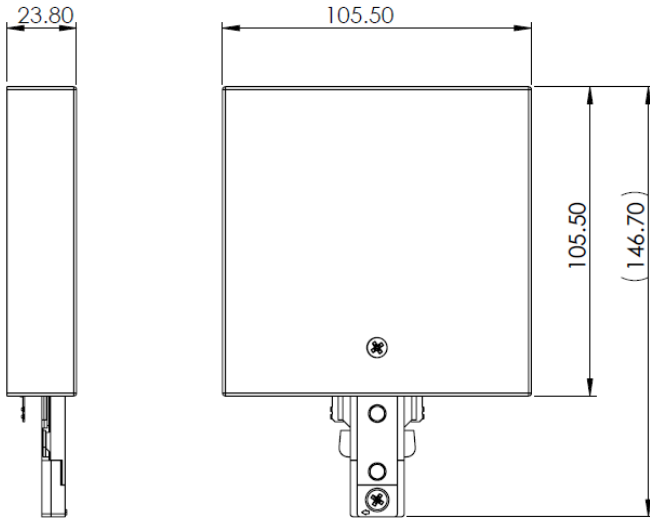
TRACK COMPONENTS

T-Bar End Feed



Color	Ordering Code
Black	T10013-BLK
White	T10013-WHT
Silver	T10013-SLV

DIMENSIONS (in mm)



TRACK T10015

TRACK ACCESSORIES & SYSTEM

DATE	
PROJECT NAME	
TYPE	
QTY	
NOTES	

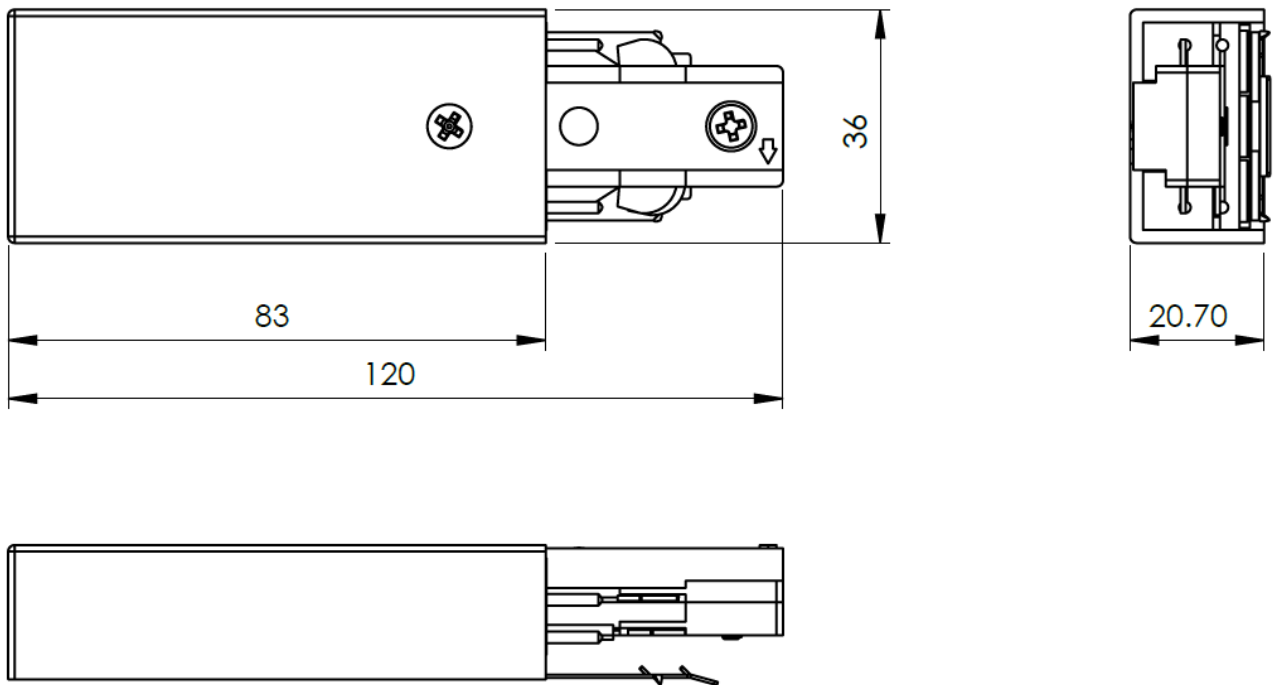
TRACK COMPONENTS

Top Access End Feed



Color	Ordering Code
Black	T10015-BLK
White	T10015-WHT
Silver	T10015-SLV

DIMENSIONS (in mm)



TRACK T10021

TRACK ACCESSORIES & SYSTEM

DATE	
PROJECT NAME	
TYPE	
QTY	
NOTES	

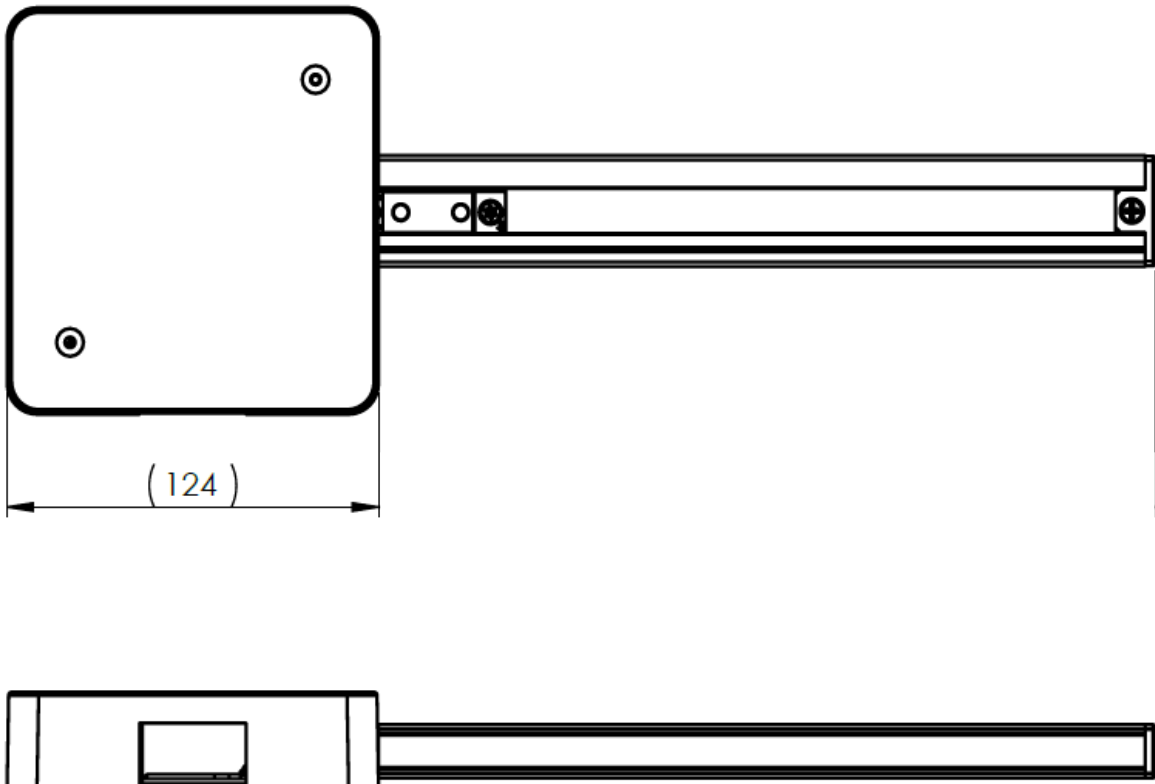
TRACK COMPONENTS

Single Circuit End Feed



Color	Ordering Code
Black	T10021-BLK
White	T10021-WHT
Silver	T10021-SLV

DIMENSIONS (in mm)



TRACK T10023

TRACK ACCESSORIES & SYSTEM

DATE	
PROJECT NAME	
TYPE	
QTY	
NOTES	

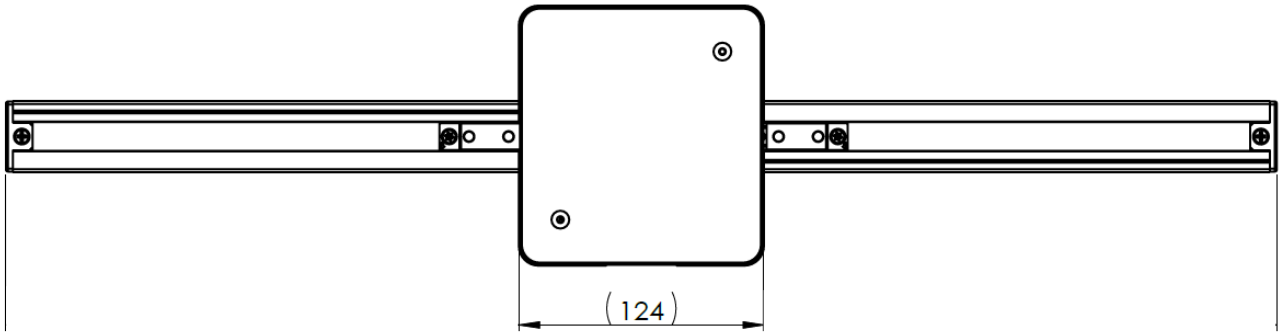
TRACK COMPONENTS

Single Circuit In-Line Feed



Color	Ordering Code
Black	T10023-BLK
White	T10023-WHT
Silver	T10023-SLV

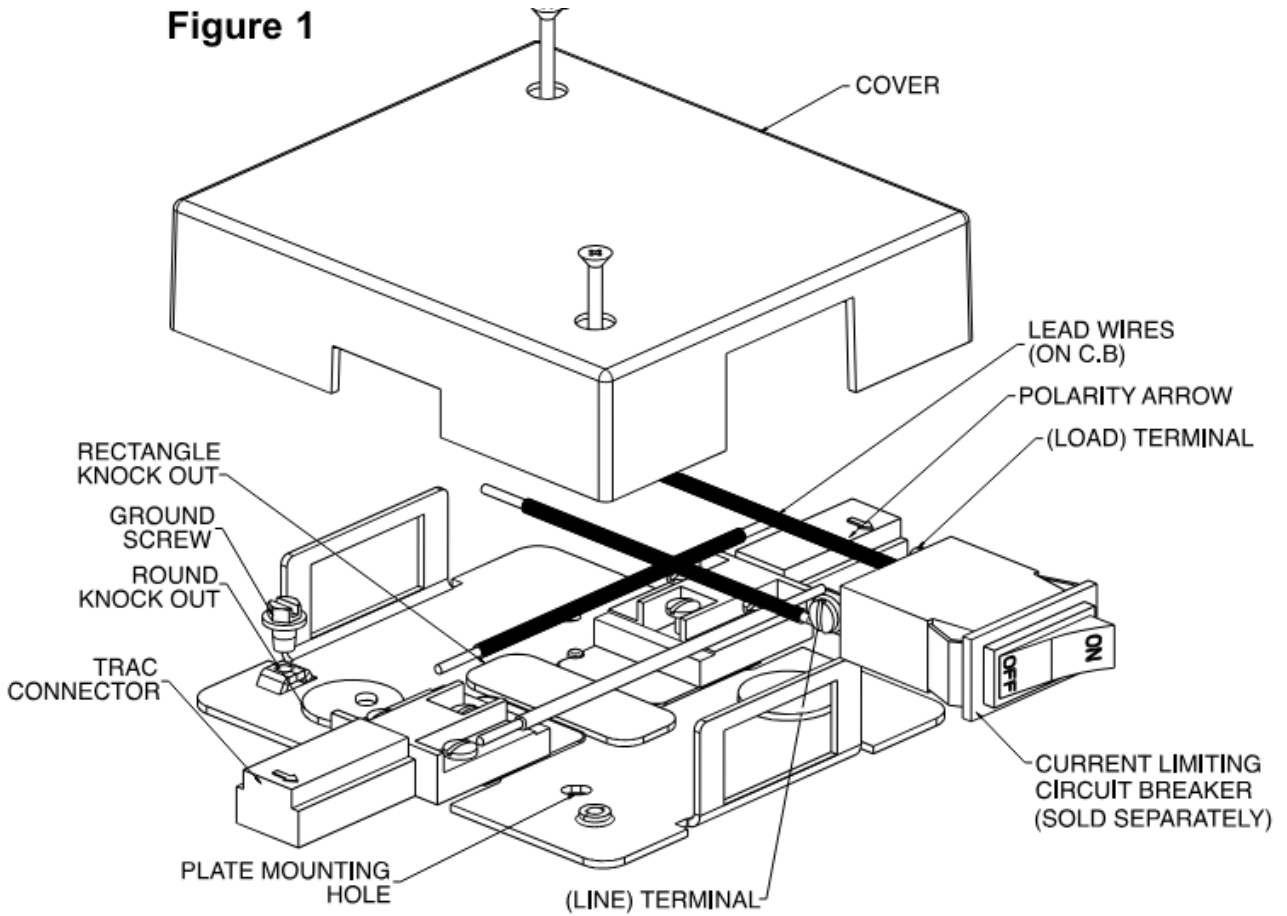
DIMENSIONS (in mm)



DATE	
PROJECT NAME	
TYPE	
QTY	
NOTES	

TRACK COMPONENTS

Figure 1



DATE	
PROJECT NAME	
TYPE	
QTY	
NOTES	

TRACK COMPONENTS ACCESSORIES



CURRENT LIMITER WHITE

PART NUMBER	CURRENT LIMIT
TC-T1-0176	1A
TC-T1-0177	2A
TC-T1-0178	3A
TC-T1-0202	5A
TC-T1-0179	6A
TC-T1-0173	10A
TC-T1-0174	14A
TC-T1-0175	15A



CURRENT LIMITER BLACK

PART NUMBER	CURRENT LIMIT
TC-T1-0203	4A
TC-T1-0204	5A

Current limiters are used to limit the number of track heads that can be installed on a track. It also helps avoiding overcurrent which can damage the fixtures or cause a fire.

The formula to find the current limiter necessary is $I=P/V$, where "I" is the current, "P" is the total power of all the fixtures on the track, and "V" is the input voltage.

Ex: if you have 10 fixtures of 30W, and the input voltage is 120V, your current limit should be at:

$$\frac{10 \times 30W}{120V} = 2.5A$$

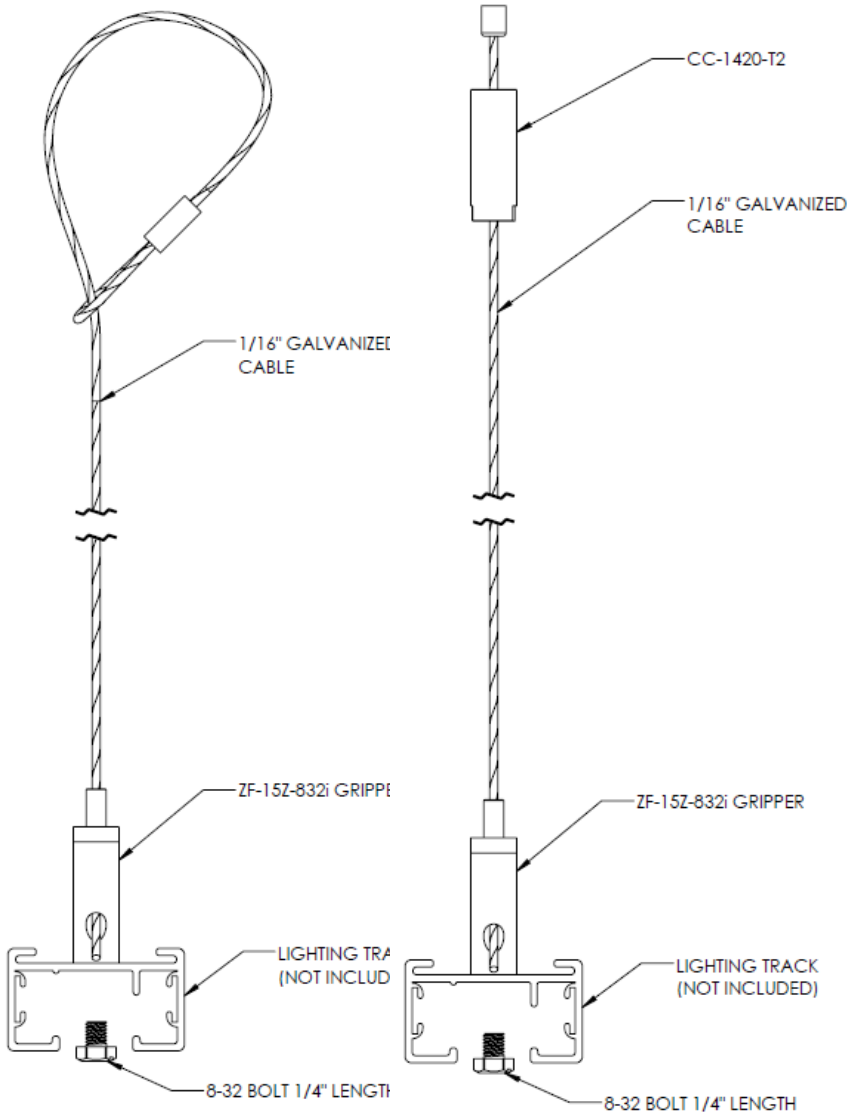
TRACK G-16TRK-SR

TRACK ACCESSORIES & SYSTEM

DATE	
PROJECT NAME	
TYPE	
QTY	
NOTES	

SUSPENSION TRACK WIRES

TRACK SYSTEM SUSPENSION WIRE	SUSPENSION TYPE	SUSPENSION WIRE LENGTH
G-16TRK-SR-	44 Looped cable	-150
G-16TRK-SR- 1/16" galv. cable, gripper & 8-32 bolt	CC Cable coupler	-150 150 inches length suspension wires



eralux® SUSPENSION TRACK BRACKET

TRACK ACCESSORIES & SYSTEM

DATE	
PROJECT NAME	
TYPE	
QTY	
NOTES	

This suspension track bracket are designed to suspend track systems from the ceilings. This kits comes with two brackets one for the track and one for the ceiling of 20 FT cable, gripper, and a screw to hold the bracket with the track



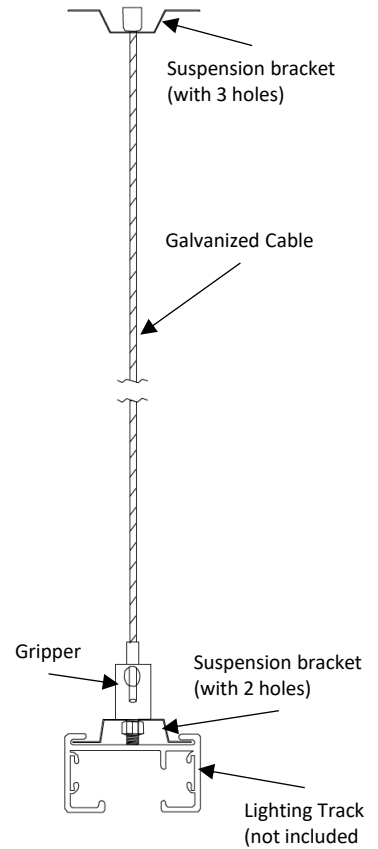
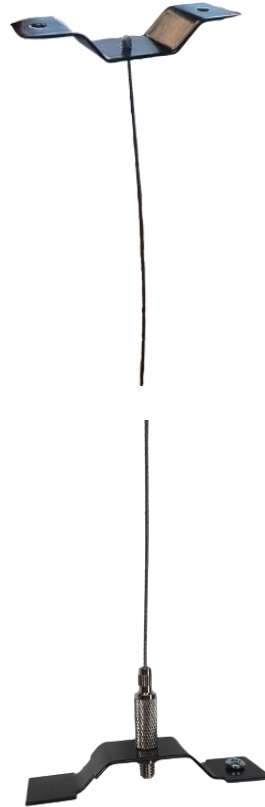
COMPATIBLE MOUNTING

MOUNTING

For suspended track systems

ERALUX TRACK SYSTEMS

T1
T2



ORDERING GUIDE

EXAMPLE: AE-TS-SUS-KIT-TRK-XXX

FAMILY NAME	FINISH
AE-TS-SUS-KIT-TRK	-
AE-TS-SUS-KIT-TRK Suspension bracket for suspending tracks. Track bracket kit; Two Suspension brackets, 20 FT galvanized cable, gripper and one screw.	- BLK Black finish bracket
	- WHT White finish bracket

TRACK T10027

TRACK ACCESSORIES & SYSTEM

DATE	
PROJECT NAME	
TYPE	
QTY	
NOTES	

STEM KITS FOR SUSPENSION



CANOPY

Color	Ordering Code
Black	T10027-BLK
White	T10027-WHT

STEM

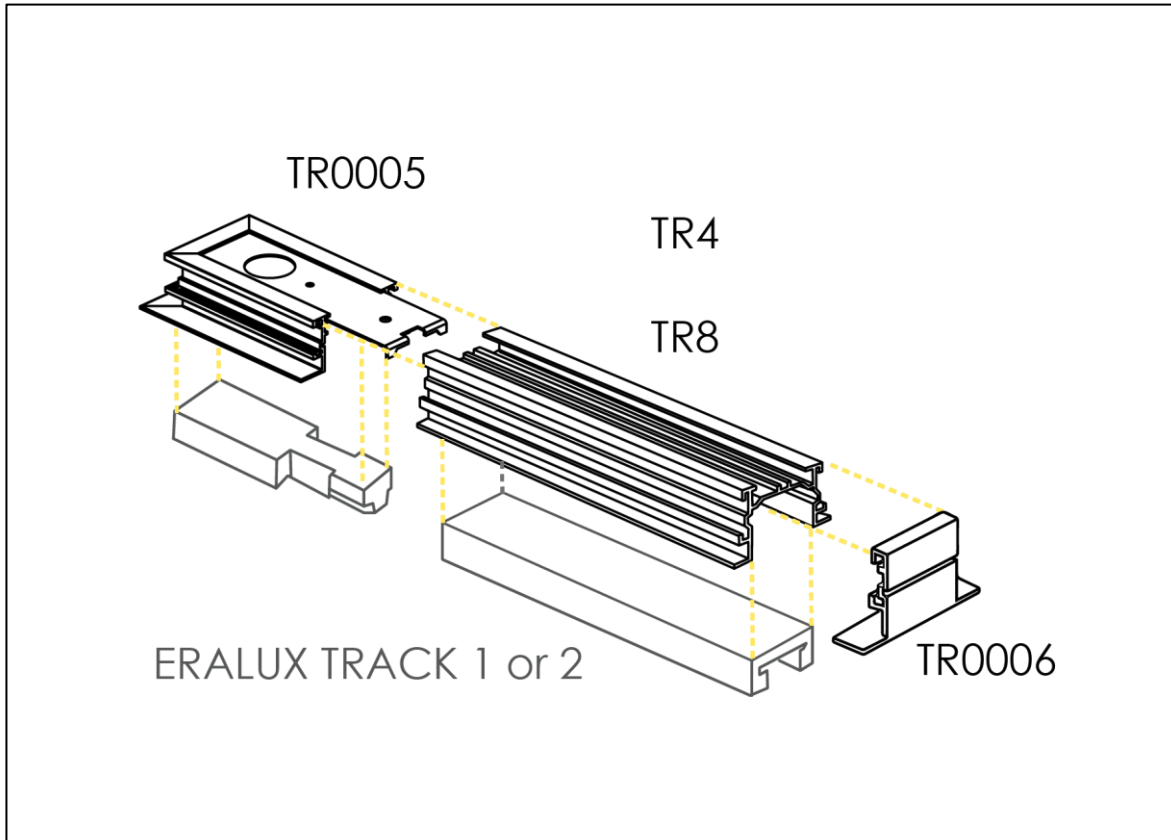
Ordering Code	Length
TS48-WHT	48"
TS48-BLK	48"
TS36-WHT	36"
TS36-BLK	36"
TS24-WHT	24"
TS24-BLK	24"
TS12-WHT	12"
TS12-BLK	12"

*Each product is ordered separately

DATE	
PROJECT NAME	
TYPE	
QTY	
NOTES	

RECESSED TRACK HOUSING

TRACK ACCESSORIES & CONNECTIONS



FAMILY	LENGTH	FINISH
TR-		-
TR- ERALUX TR reversed circuit Juno compatible track systems	4 4' Track System	-WHT White Finish
	8 8' Track System	-BLK Black Finish
	12 12' Track System	-SLV Silver Finish

DATE	
PROJECT NAME	
TYPE	
QTY	
NOTES	

RECESSED TRACK HOUSING

Track Components

RECESSED HOUSING FOR I CONNECTOR



Color	Ordering Code
Black	TR0001-BLK
White	TR0001-WHT
Silver	TR0001-SLV

RECESSED HOUSING FOR T CONNECTOR



Color	Ordering Code
Black	TR0002-BLK
White	TR0002-WHT
Silver	TR0002-SLV

RECESSED HOUSING FOR T CONNECTOR



Color	Ordering Code
Black	TR0003-BLK
White	TR0003-WHT
Silver	TR0003-SLV

DATE	
PROJECT NAME	
TYPE	
QTY	
NOTES	

RECESSED TRACK HOUSING

Track Components

RECESSED HOUSING FOR END FEED



Color	Ordering Code
Black	TR0005-BLK
White	TR0005-WHT
Silver	TR0005-SLV

RECESSED HOUSING FOR END PIECE



Color	Ordering Code
Black	TR0006-BLK
White	TR0006-WHT
Silver	TR0006-SLV