

# TRACK T1

TRACK ACCESSORIES & SYSTEM

DATE	
PROJECT NAME	
<b>TYPE</b>	
QTY	
NOTES	

## DESCRIPTION



120V 50/60 Hz 20A Max



ERALUX Track 1 is compatible with Juno single circuit Adapters.

Track / Power Distribution System is suitable for retail, commercial and residential use.

Ships with one T0009 (end cap) installed Extruded aluminum "I" beam. Thermoplastic insulator. Two #12 AWG solid copper conductors.

LENGTH	PART NO.	LENGTH
2'	T1-2	512 mm (20.16")
4'	T1-4	1122 mm (44.17")
6'	T1-6	1732 mm (68.19")
8'	T1-8	2341 mm (92.17")
12'	T1-12	3581.4 mm(141")

**Note:** For **12 feet Tracks** Please contact factory for shipping cost

## ORDER CODE

Example: T1-2-WHT

FAMILY	LENGTH	FINISH
<b>T1-</b>		-
<b>T1-</b> ERALUX T1 single circuit Juno compatible track systems	<b>2</b> 2' track system	<b>-WHT</b> White Finish
	<b>4</b> 4' track system	<b>-BLK</b> Black Finish
	<b>6</b> 6' track system	<b>-SLV</b> Silver Finish
	<b>8</b> 8' track system	
	<b>12</b> 12' track system	

## WARRANTY

### SYSTEM WARRANTY – 3 YEARS

Eralux will warrant defective drivers, LEDs and boards for 3 years from the date of purchase. This warranty is valid only if the fixture is installed and used as per installation guides and specifications. If a defect is present, Eralux will send drivers and boards at no fee with a thorough replacement instructions along with instructions on the return of the defective parts back to Eralux.

DATE	
PROJECT NAME	
<b>TYPE</b>	
QTY	
NOTES	

## TRACK COMPONENTS



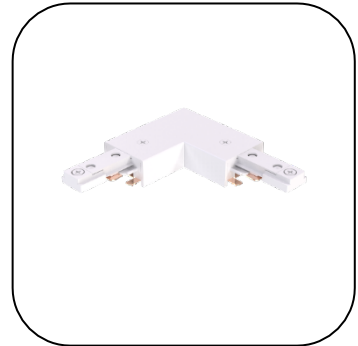
**MINI I CONNECTOR**

T10001



**T CONNECTOR**

T10002  
T10002R (Reverse)



**L CONNECTOR**

T10003



**X CONNECTOR**

T10004



**FLOATING CANOPY**

T10005



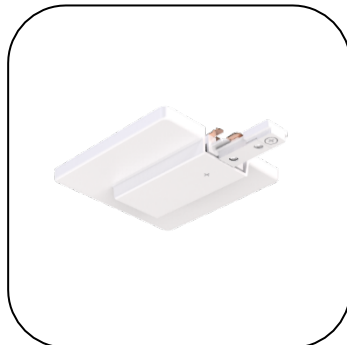
**CONDUIT END FEED**

T10006  
T10006R (Reverse)



**FLEXIBLE CONNECTOR**

T10007



**END FEED KIT + COVER**

T10008



**END CAP**

T10009

**PRODUCT ORDERING COLOR CODES**

**WHITE (-WHT), BLACK (-BLK), SILVER (-SLV)**

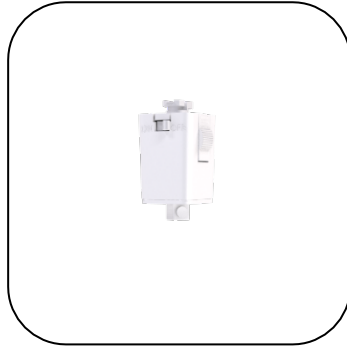
DATE	
PROJECT NAME	
<b>TYPE</b>	
QTY	
NOTES	

## TRACK COMPONENTS



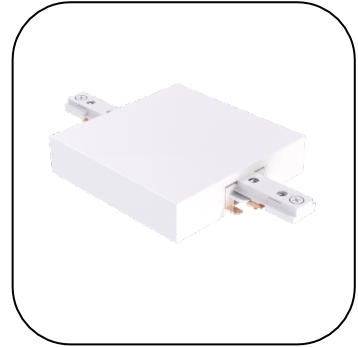
**PENDANT LUMINAIRE ADAPTER, CHAIN**

T10010



**PENDANT LUMINAIRE ADAPTER, CORD**

T10011



**T-Bar Connector**

T10012



**T-Bar End Feed**

T10013



**Mounting Accessory For T-bar Grid Ceilings**

T10014



**Top Access End Feed**

T10015

T10015R (Reverse)



**Line Voltage Mono-Point Adapter**

T10016



**Duo-Point Adapters**

T10017



**Line Voltage Sloped Ceiling Adapter**

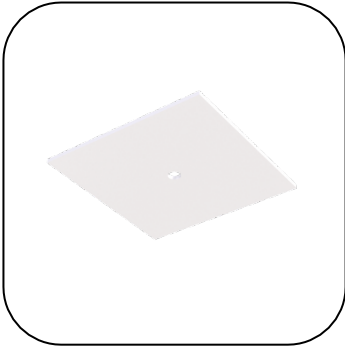
T10018

# TRACK T1

TRACK ACCESSORIES & SYSTEM

DATE	
PROJECT NAME	
<b>TYPE</b>	
QTY	
NOTES	

## TRACK COMPONENTS



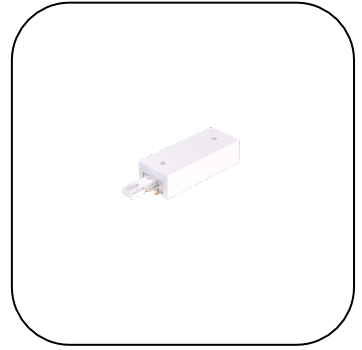
**Cover Plate**

T10020



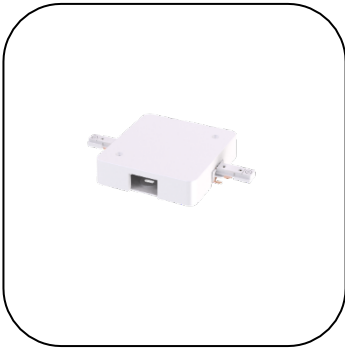
**Single Circuit End Feed**

T10021



**Thin Single Circuit End Feed**

T10026



**Single Circuit In-Line Feed**

T10023

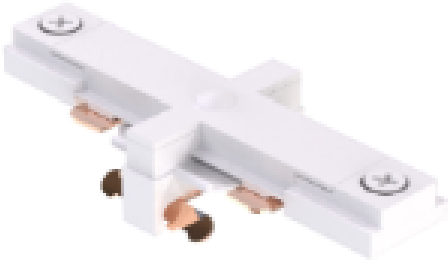
# TRACK T10001

TRACK ACCESSORIES & SYSTEM

DATE	
PROJECT NAME	
<b>TYPE</b>	
QTY	
NOTES	

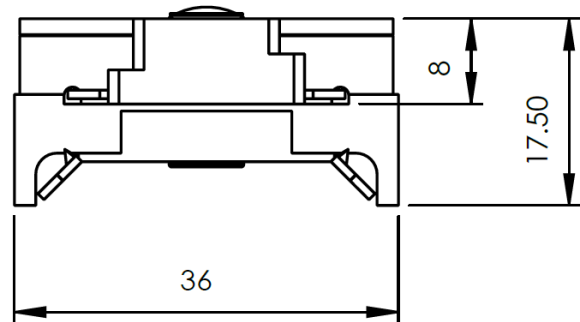
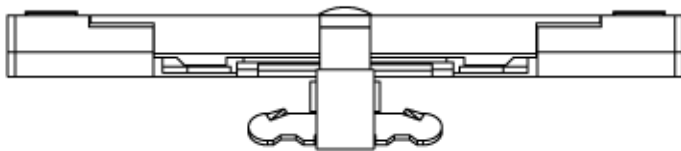
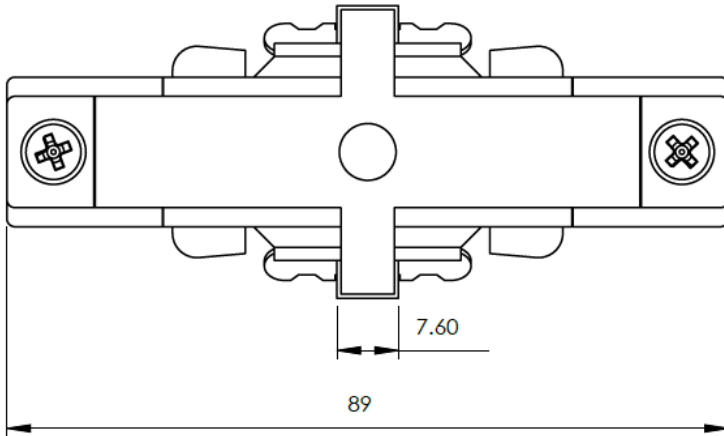
## TRACK COMPONENTS

### MINI I CONNECTOR



Color	Ordering Code
Black	T10001-BLK
White	T10001-WHT
Silver	T10001-SLV

### DIMENSIONS (in mm)



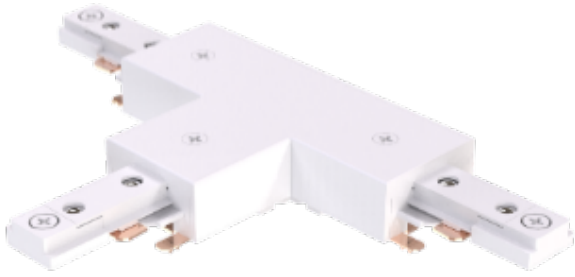
# TRACK T10002

TRACK ACCESSORIES & SYSTEM

DATE	
PROJECT NAME	
<b>TYPE</b>	
QTY	
NOTES	

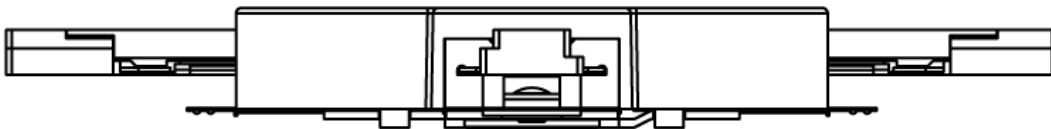
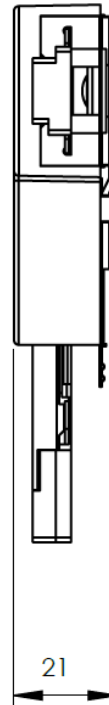
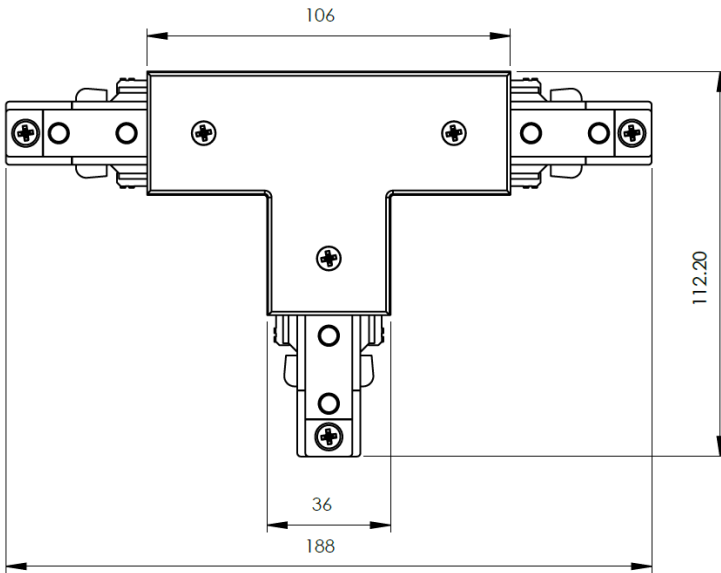
## TRACK COMPONENTS

### T CONNECTOR



Color	Ordering Code
Black	T10002-BLK
White	T10002-WHT
Silver	T10002-SLV

### DIMENSIONS (in mm)



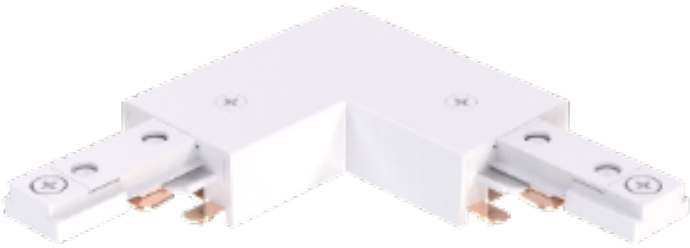
# TRACK T10003

TRACK ACCESSORIES & SYSTEM

DATE	
PROJECT NAME	
<b>TYPE</b>	
QTY	
NOTES	

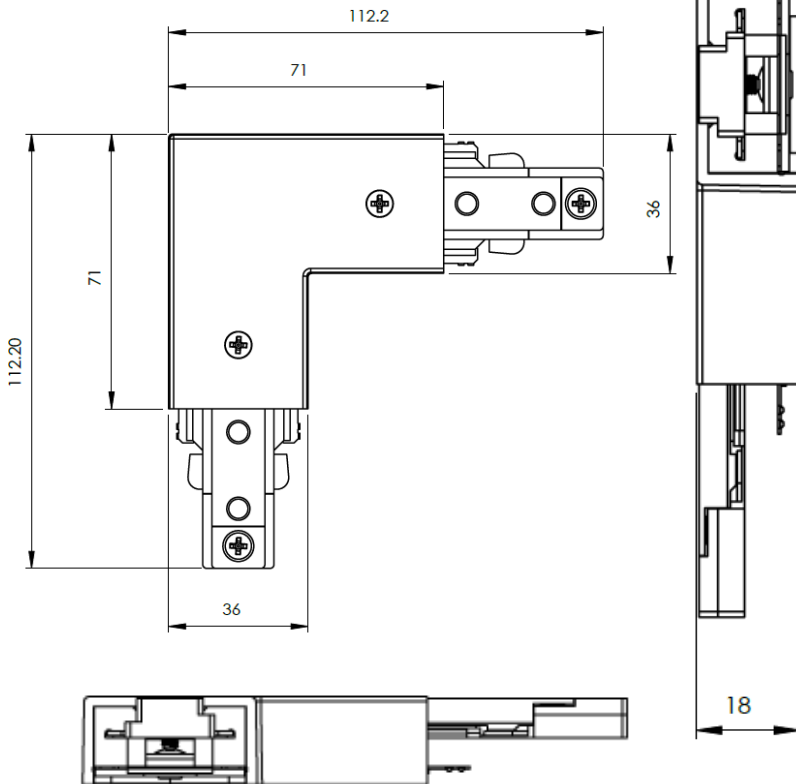
## TRACK COMPONENTS

### L CONNECTOR



Color	Ordering Code
Black	T10003-BLK
White	T10003-WHT
Silver	T10003-SLV

### DIMENSIONS (in mm)



Color	Ordering Code
Black	AE-TS-LCONNECTOR-COVER-BK
White	AE-TS-LCONNECTOR-COVER-WHT

\* L CONNECTOR + COVER → STRAIGHT CONNECTOR + POWER FEED \*

# TRACK T10004

TRACK ACCESSORIES & SYSTEM

DATE	
PROJECT NAME	
<b>TYPE</b>	
QTY	
NOTES	

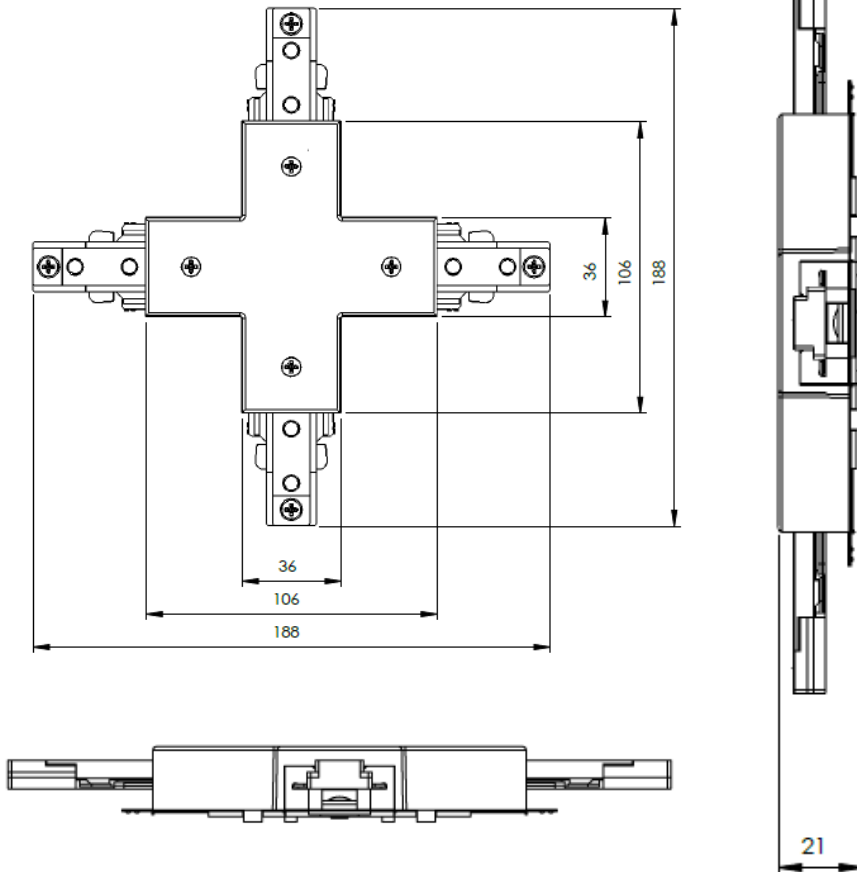
## TRACK COMPONENTS

### X CONNECTOR



Color	Ordering Code
Black	T10004-BLK
White	T10004-WHT
Silver	T10004-SLV

### DIMENSIONS (in mm)





# TRACK T10005

TRACK ACCESSORIES & SYSTEM

DATE	
PROJECT NAME	
<b>TYPE</b>	
QTY	
NOTES	

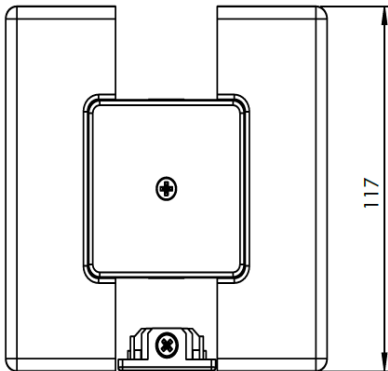
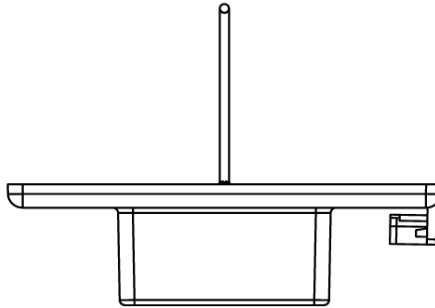
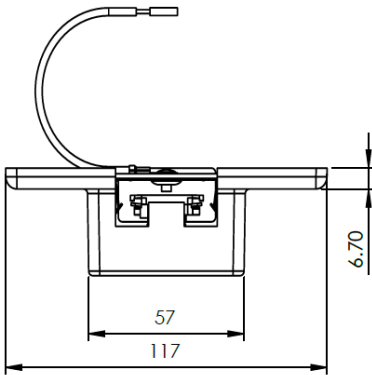
## TRACK COMPONENTS

### FLOATING CANOPY



Color	Ordering Code
Black	T10005-BLK
White	T10005-WHT
Silver	T10005-SLV

### DIMENSIONS (in mm)



# TRACK T1

TRACK ACCESSORIES & SYSTEM

DATE	
PROJECT NAME	
<b>TYPE</b>	
QTY	
NOTES	

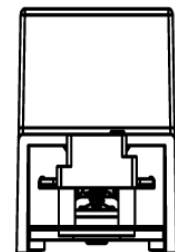
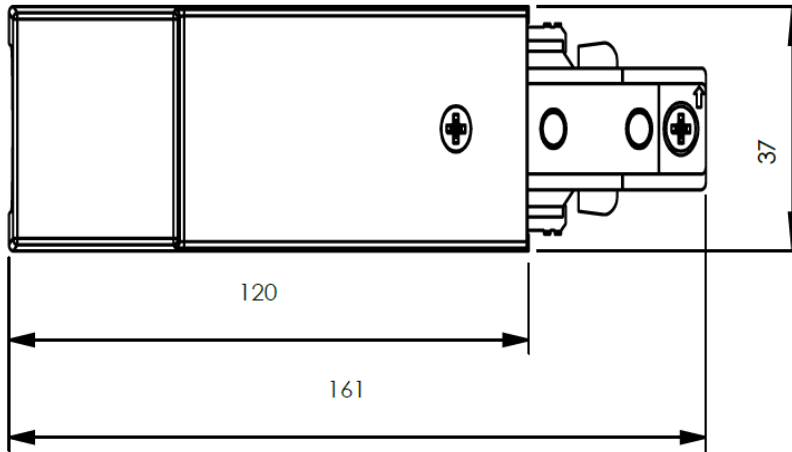
## TRACK COMPONENTS

### CONDUIT END FEED



Color	Ordering Code
Black	T10006-BLK
White	T10006-WHT
Silver	T10006-SLV

### DIMENSIONS (in mm)



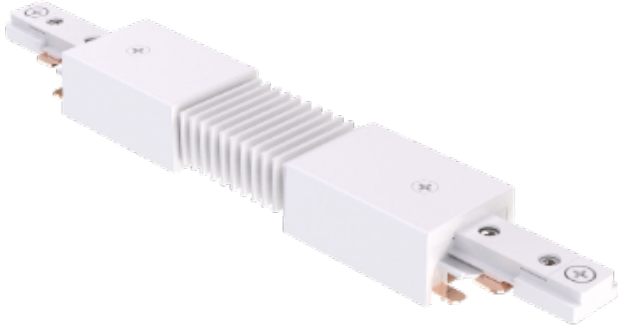
# TRACK T10007

TRACK ACCESSORIES & SYSTEM

DATE	
PROJECT NAME	
<b>TYPE</b>	
QTY	
NOTES	

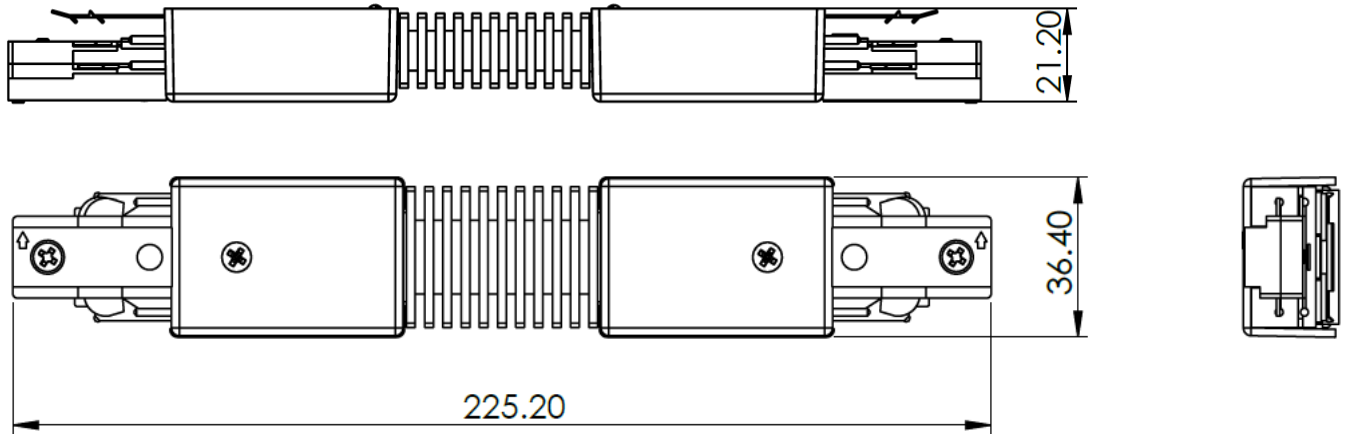
## TRACK COMPONENTS

### FLEXIBLE CONNECTOR



Color	Ordering Code
Black	T10007-BLK
White	T10007-WHT
Silver	T10007-SLV

### DIMENSIONS (in mm)



# TRACK T10008

TRACK ACCESSORIES & SYSTEM

DATE	
PROJECT NAME	
<b>TYPE</b>	
QTY	
NOTES	

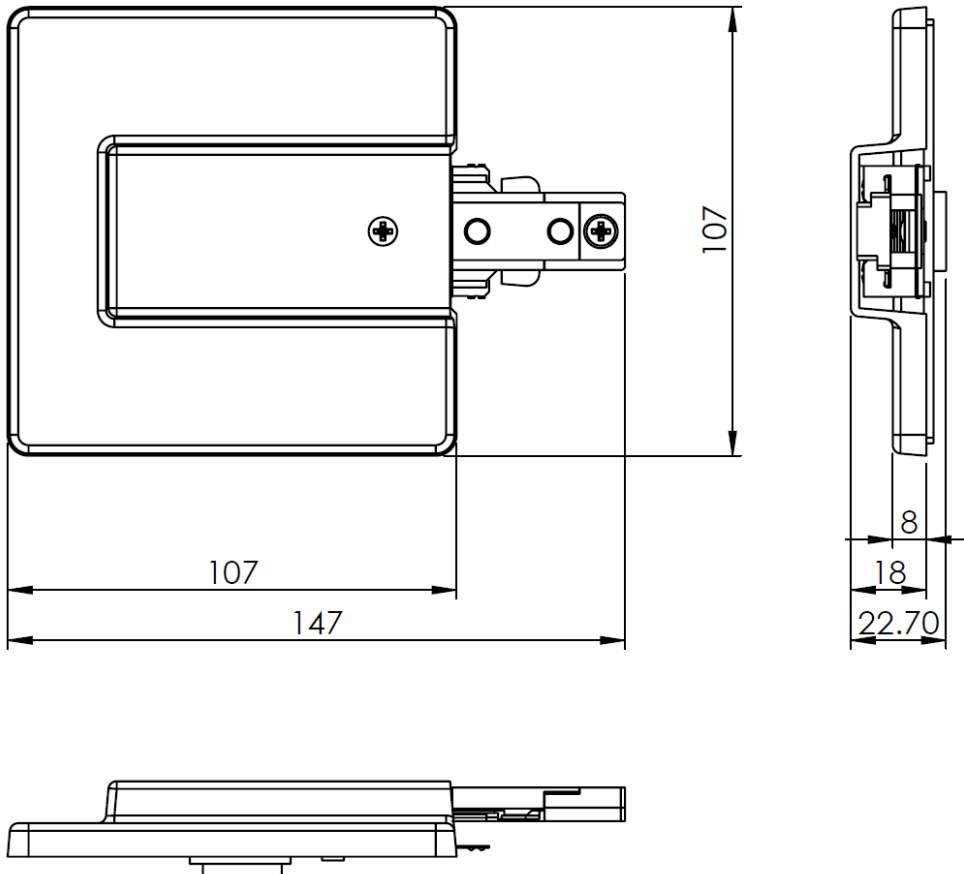
## TRACK COMPONENTS

### END FEED KIT + COVER



Color	Ordering Code
Black	T10008-BLK
White	T10008-WHT
Silver	T10008-SLV

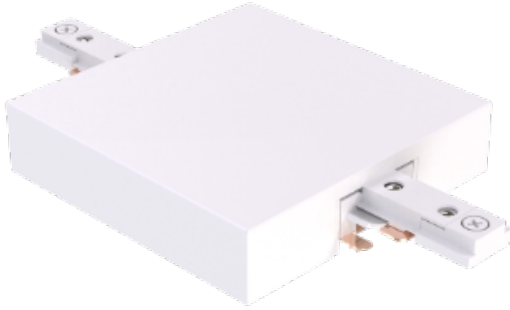
### DIMENSIONS (in mm)



DATE	
PROJECT NAME	
<b>TYPE</b>	
QTY	
NOTES	

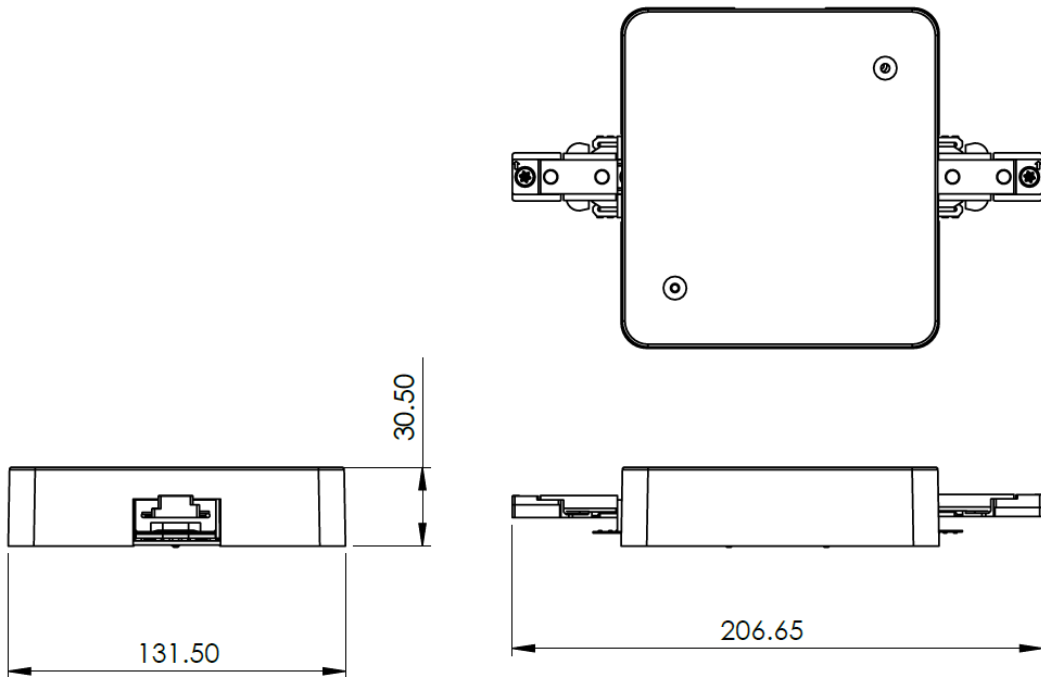
## TRACK COMPONENTS

### T-Bar Connector



Color	Ordering Code
Black	T10012-BLK
White	T10012-WHT
Silver	T10012-SLV

### DIMENSIONS (in mm)



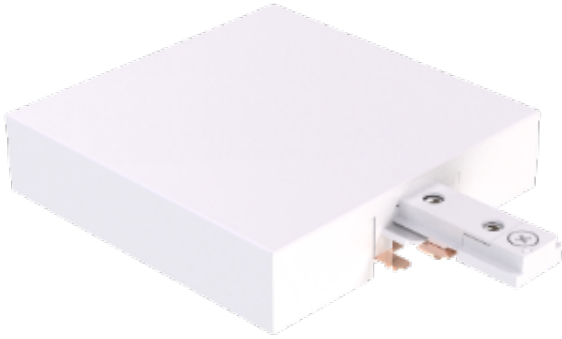
# TRACK T10013

TRACK ACCESSORIES & SYSTEM

DATE	
PROJECT NAME	
<b>TYPE</b>	
QTY	
NOTES	

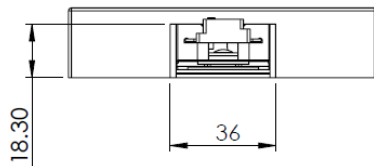
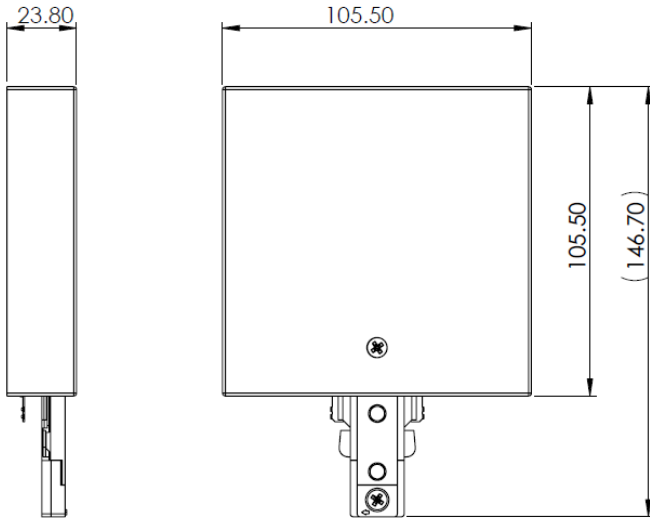
## TRACK COMPONENTS

### T-Bar End Feed



Color	Ordering Code
Black	T10013-BLK
White	T10013-WHT
Silver	T10013-SLV

### DIMENSIONS (in mm)



# TRACK T10015

TRACK ACCESSORIES & SYSTEM

DATE	
PROJECT NAME	
<b>TYPE</b>	
QTY	
NOTES	

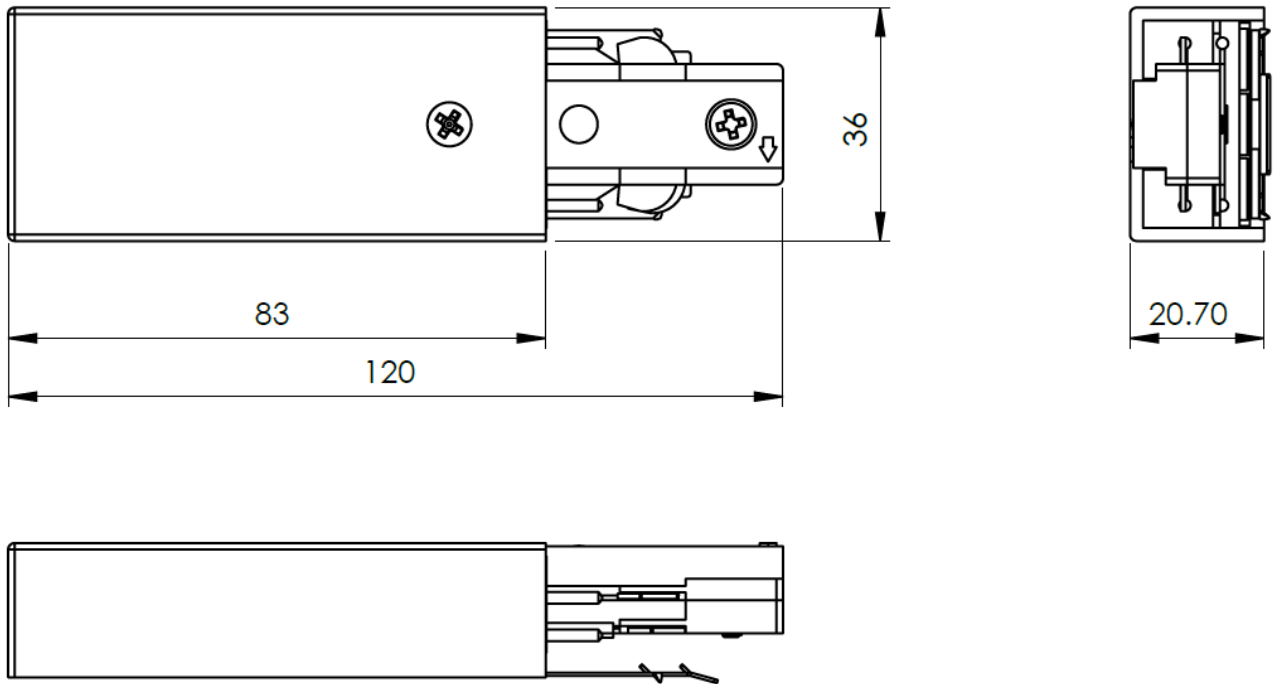
## TRACK COMPONENTS

### Top Access End Feed



Color	Ordering Code
Black	T10015-BLK
White	T10015-WHT
Silver	T10015-SLV

### DIMENSIONS (in mm)



# TRACK T10021

TRACK ACCESSORIES & SYSTEM

DATE	
PROJECT NAME	
<b>TYPE</b>	
QTY	
NOTES	

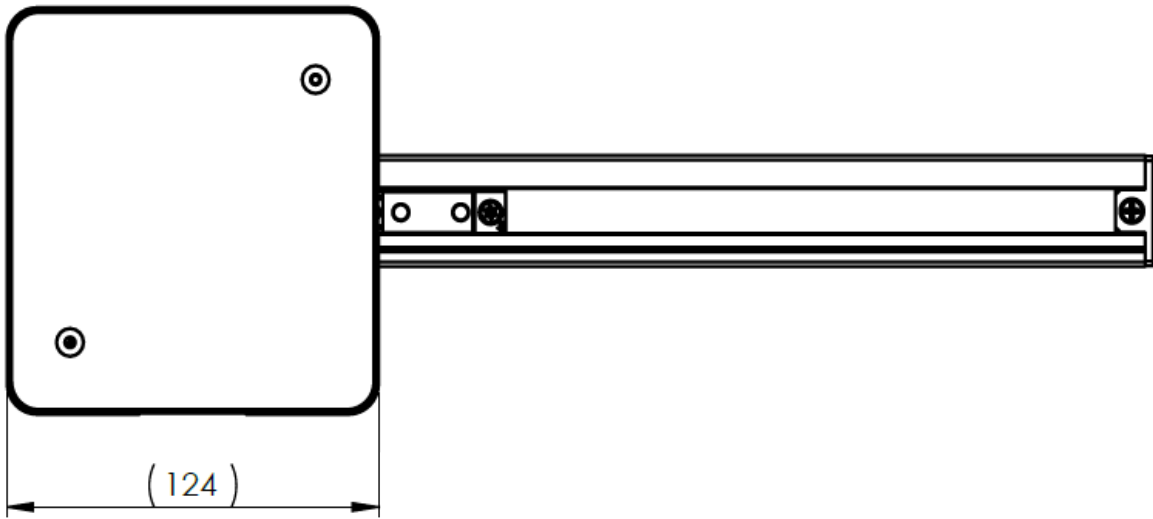
## TRACK COMPONENTS

### Single Circuit End Feed



Color	Ordering Code
Black	T10021-BLK
White	T10021-WHT
Silver	T10021-SLV

## DIMENSIONS (in mm)





# TRACK T10023

TRACK ACCESSORIES & SYSTEM

DATE	
PROJECT NAME	
<b>TYPE</b>	
QTY	
NOTES	

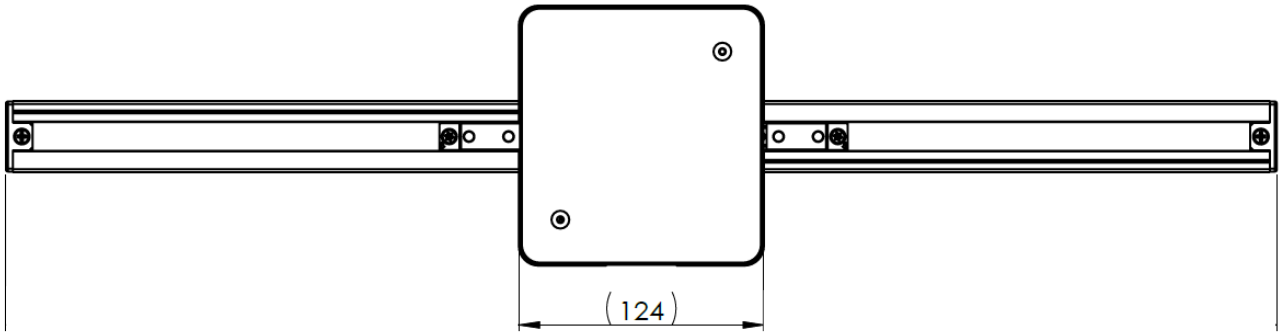
## TRACK COMPONENTS

### Single Circuit In-Line Feed



Color	Ordering Code
Black	T10023-BLK
White	T10023-WHT
Silver	T10023-SLV

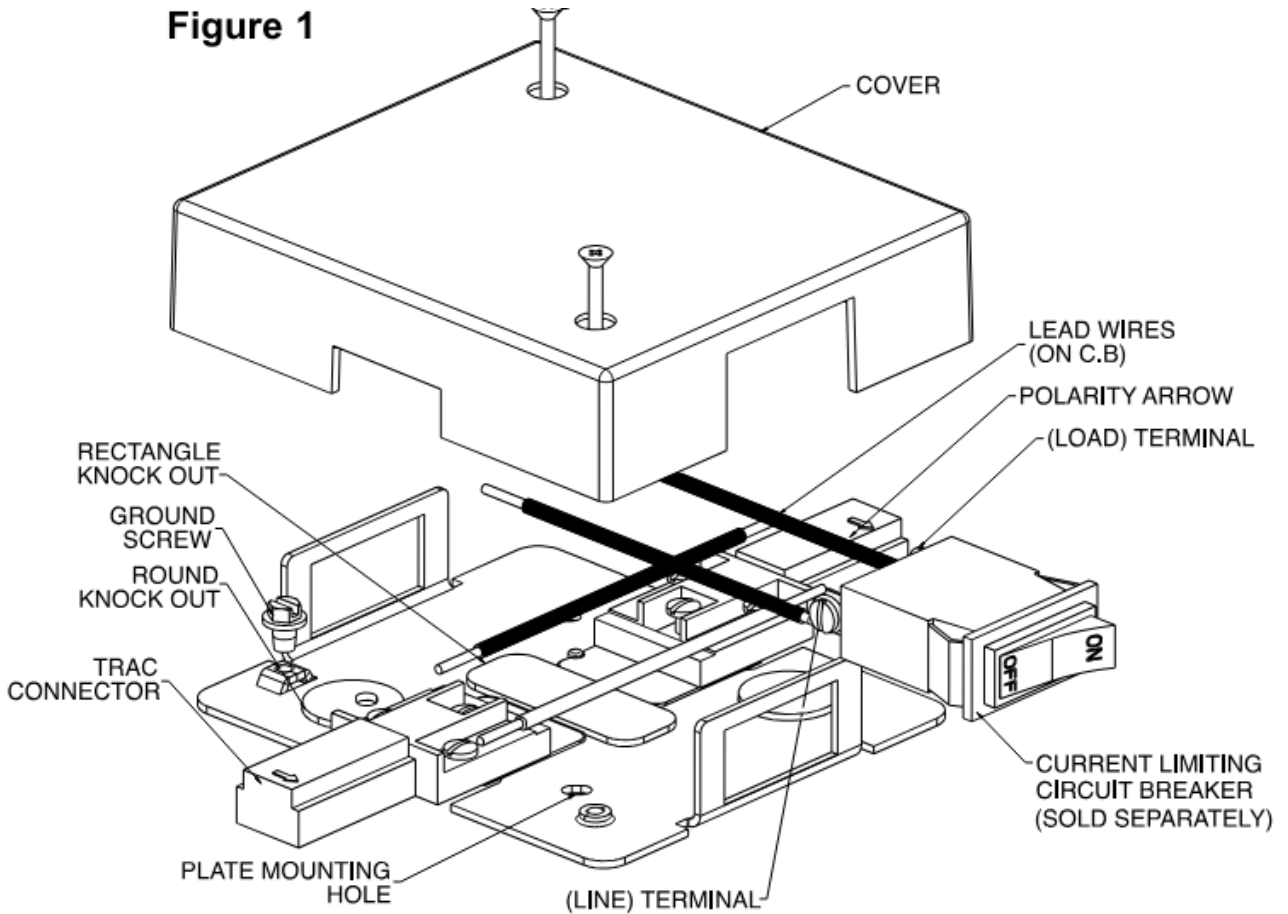
## DIMENSIONS (in mm)



DATE	
PROJECT NAME	
<b>TYPE</b>	
QTY	
NOTES	

## TRACK COMPONENTS

**Figure 1**



DATE	
PROJECT NAME	
<b>TYPE</b>	
QTY	
NOTES	

## TRACK COMPONENTS ACCESSORIES



**CURRENT LIMITER WHITE**

PART NUMBER	CURRENT LIMIT
TC-T1-0176	1A
TC-T1-0177	2A
TC-T1-0178	3A
TC-T1-0202	5A
TC-T1-0179	6A
TC-T1-0173	10A
TC-T1-0174	14A
TC-T1-0175	15A



**CURRENT LIMITER BLACK**

PART NUMBER	CURRENT LIMIT
TC-T1-0203	4A
TC-T1-0204	5A

Current limiters are used to limit the number of track heads that can be installed on a track. It also helps avoiding overcurrent which can damage the fixtures or cause a fire.

The formula to find the current limiter necessary is  $I=P/V$ , where "I" is the current, "P" is the total power of all the fixtures on the track, and "V" is the input voltage.

Ex: if you have 10 fixtures of 30W, and the input voltage is 120V, your current limit should be at:

$$\frac{10 \times 30W}{120V} = 2.5A$$

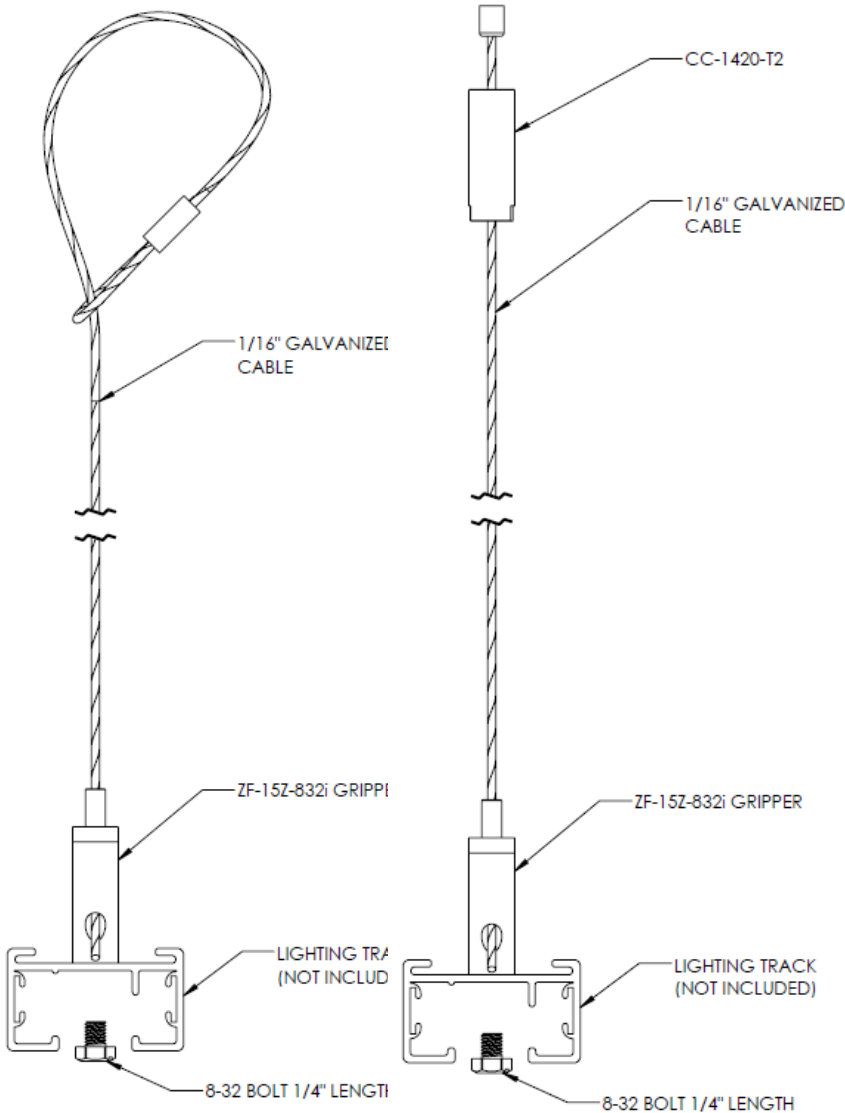
# TRACK G-16TRK-SR

TRACK ACCESSORIES & SYSTEM

DATE	
PROJECT NAME	
<b>TYPE</b>	
QTY	
NOTES	

## SUSPENSION TRACK WIRES

TRACK SYSTEM SUSPENSION WIRE	SUSPENSION TYPE	SUSPENSION WIRE LENGTH
<b>G-16TRK-SR-</b>	<b>44</b> Looped cable	<b>-150</b>
<b>G-16TRK-SR-</b> 1/16" galv. cable, gripper & 8-32 bolt	<b>CC</b> Cable coupler	<b>-150</b> 150 inches length suspension wires



# eralux® SUSPENSION TRACK BRACKET

TRACK ACCESSORIES & SYSTEM

DATE	
PROJECT NAME	
<b>TYPE</b>	
QTY	
NOTES	

This suspension track bracket are designed to suspend track systems from the ceilings. This kits comes with two brackets one for the track and one for the ceiling of 20 FT cable, gripper, and a screw to hold the bracket with the track



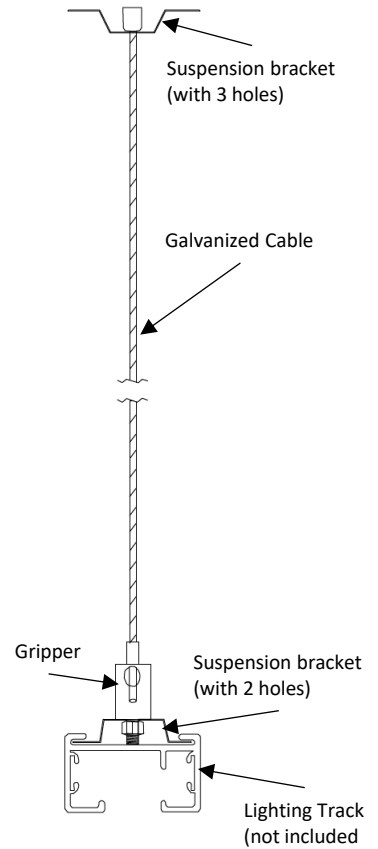
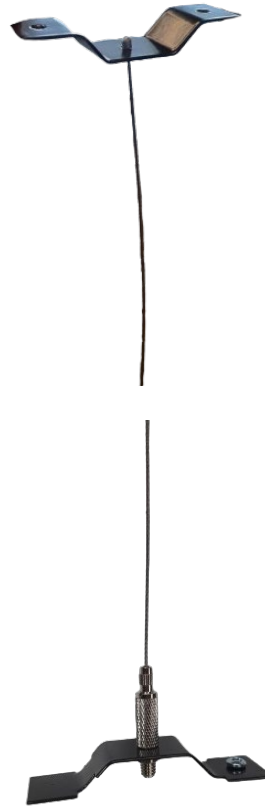
## COMPATIBLE MOUNTING

### MOUNTING

For suspended track systems

### ERALUX TRACK SYSTEMS

T1  
T2



## ORDERING GUIDE

EXAMPLE: AE-TS-SUS-KIT-TRK-XXX

FAMILY NAME	FINISH
<b>AE-TS-SUS-KIT-TRK</b>	-
<b>AE-TS-SUS-KIT-TRK</b> Suspension bracket for suspending tracks. Track bracket kit; Two Suspension brackets, 20 FT galvanized cable, gripper and one screw.	<b>-BLK</b> Black finish bracket
	<b>-WHT</b> White finish bracket

# TRACK T10027

TRACK ACCESSORIES & SYSTEM

DATE	
PROJECT NAME	
<b>TYPE</b>	
QTY	
NOTES	

## STEM KITS FOR SUSPENSION



## CANOPY

Color	Ordering Code
Black	T10027-BLK
White	T10027-WHT

## STEM

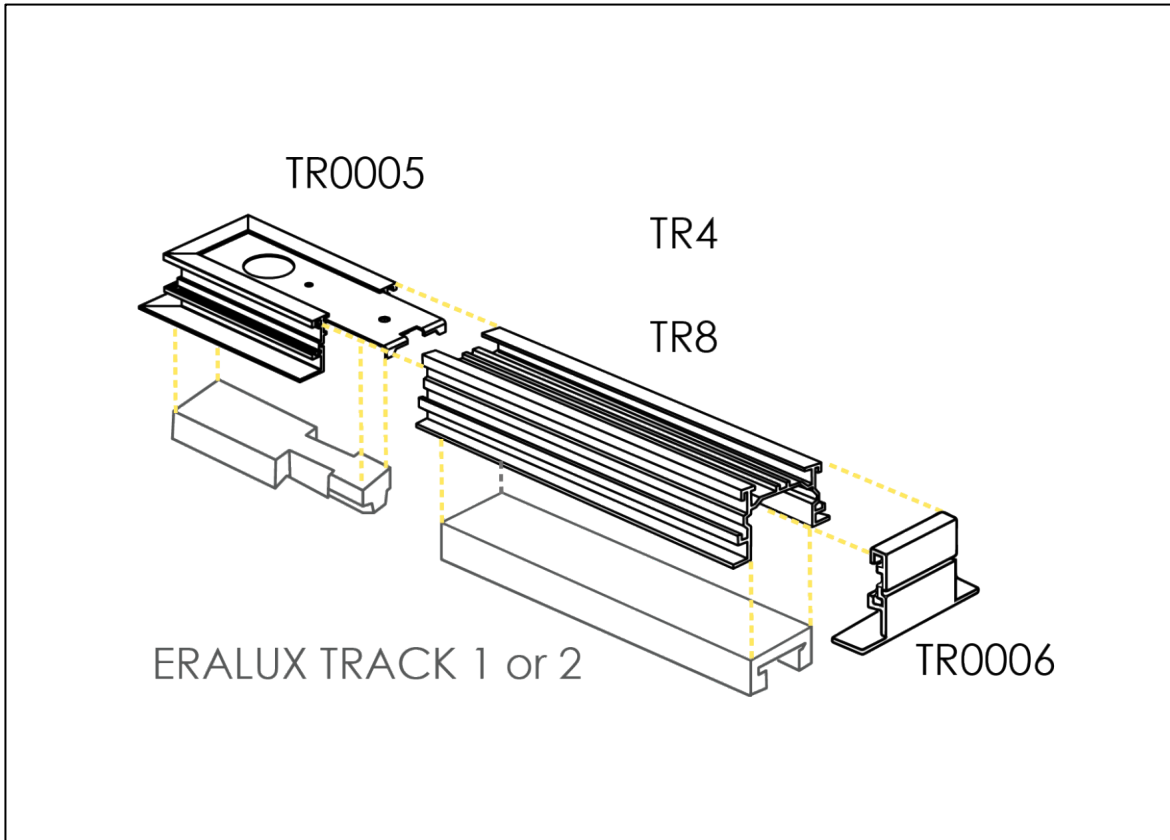
Ordering Code	Length
TS48-WHT	48"
TS48-BLK	48"
TS36-WHT	36"
TS36-BLK	36"
TS24-WHT	24"
TS24-BLK	24"
TS12-WHT	12"
TS12-BLK	12"

\*Each product is ordered separately

DATE	
PROJECT NAME	
<b>TYPE</b>	
QTY	
NOTES	

## RECESSED TRACK HOUSING

### TRACK ACCESSORIES & CONNECTIONS



FAMILY	LENGTH	FINISH
TR-		-
TR- ERALUX TR reversed circuit Juno compatible track systems	4 4' Track System	-WHT White Finish
	8 8' Track System	-BLK Black Finish
	12 12' Track System	-SLV Silver Finish

DATE	
PROJECT NAME	
<b>TYPE</b>	
QTY	
NOTES	

## RECESSED TRACK HOUSING

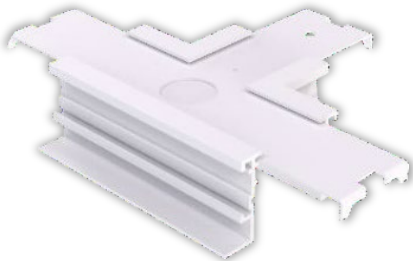
### Track Components

#### RECESSED HOUSING FOR I CONNECTOR



Color	Ordering Code
Black	TR0001-BLK
White	TR0001-WHT
Silver	TR0001-SLV

#### RECESSED HOUSING FOR T CONNECTOR



Color	Ordering Code
Black	TR0002-BLK
White	TR0002-WHT
Silver	TR0002-SLV

#### RECESSED HOUSING FOR T CONNECTOR



Color	Ordering Code
Black	TR0003-BLK
White	TR0003-WHT
Silver	TR0003-SLV



DATE	
PROJECT NAME	
<b>TYPE</b>	
QTY	
NOTES	

## RECESSED TRACK HOUSING

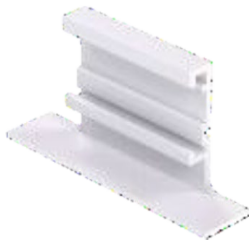
### Track Components

#### RECESSED HOUSING FOR END FEED



Color	Ordering Code
Black	TR0005-BLK
White	TR0005-WHT
Silver	TR0005-SLV

#### RECESSED HOUSING FOR END PIECE



Color	Ordering Code
Black	TR0006-BLK
White	TR0006-WHT
Silver	TR0006-SLV