



### IMPORTANT SAFETY INSTRUCTION

Must read prior to attempting installation. Always turn off main power before installation. Installation must be carried out by a trained and knowledgeable electrician ONLY.

When installing or using the track system, basic safety precautions MUST always be followed, including the following:

1. Do not install this lighting system in a damp or wet location.
2. Ensure the appropriate track connector is matched up with its compatible track rail.
3. Do not install any part of the track system less than **5 feet** above the floor.
4. Do not install any luminaire assembly closer than **6 inches** from any curtain, or similar combustible material.
5. Do not attempt to energize anything other than lighting track luminaires on the track. To reduce the risk of fire and electric shock, do not attempt to connect power tools, extension cords, appliances, and the like to the track.
6. Do not exceed the nominal supply voltage or amperage ratings.
7. Turn off the power at fuse or circuit breaker box before installation or any maintenance work.
8. Wear rubber soled shoes including any other recommended PPE and work on a sturdy wooden or non-conductive ladder.
9. Product must be mounted in locations and at heights in compliance with National Electrical Code and local building codes. **For indoor use only.**
10. Installing contrary to instructions may cause unsafe conditions.
11. Consult a qualified electrician before installation.
12. To avoid hazards to children, account for all parts and properly dispose of all packing materials.
13. Call the Technical Support department at ERALUX at 1-647-696-0898 with any installation questions.



### IMPORTANT

This equipment is intended to be installed only by qualified personnel. The installation must be made in accordance with the current edition of the National Electrical Code and all applicable state/provinces and local building codes. The final installation must be approved by the appropriate, qualified electrical/ building inspector(s). Improper installation may result in a fire or electrical hazard. Be sure the electrical power to the circuit has been disconnected before installing this electrical system.



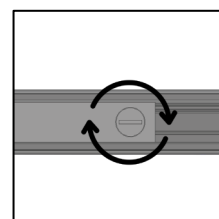
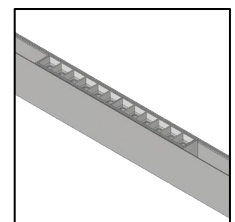
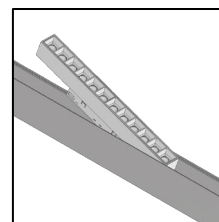
### WARNING

Risk of fire. Most dwellings built before 1985 have supply wire rated at 60°C.

Consult a qualified electrician before installation.

### IMPORTANT SAFETY INSTRUCTION

- To install:
  - A. Insert the fixture into the track channel, then push until it clicks into place. The fixture should sit flush with the track.
- To remove linear track head:
  - A. Slide a finger between the track head and the track.
  - B. Gently pull the track head away from the track, one end at a time.
- To remove pendant track head:
  - A. Rotate the locking slot to release the track head
  - B. While the slot is rotated, gently pull out the track head, one end at a time.

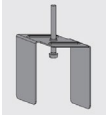




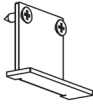
# JUPITER ST8/ST18 RECESSED MOUNTING - EN

INSTALLATION GUIDE

## INSTALL INSTRUCTIONS – CLAMP



S-9500/111



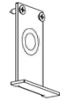
JR10009



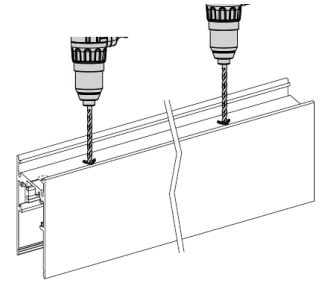
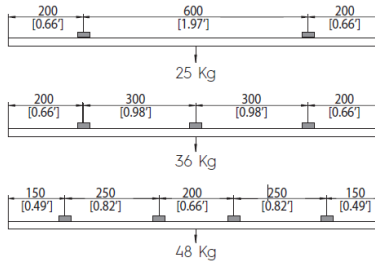
S-9500/112



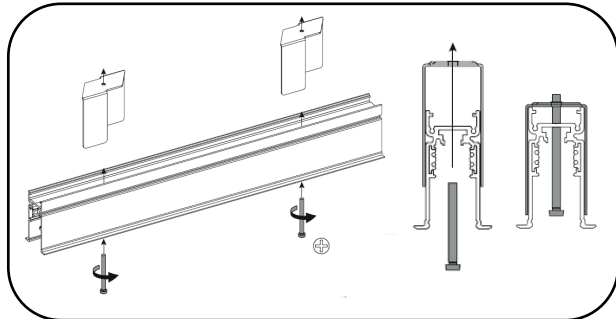
JR20009



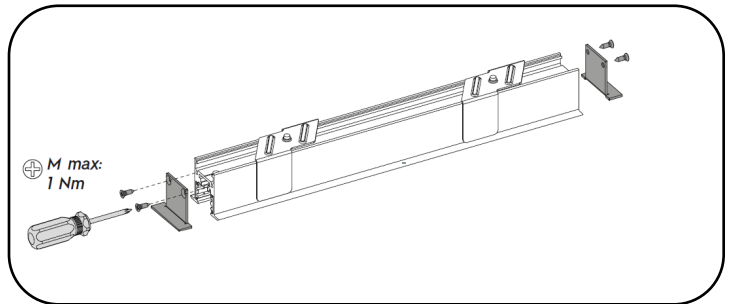
JR20009H



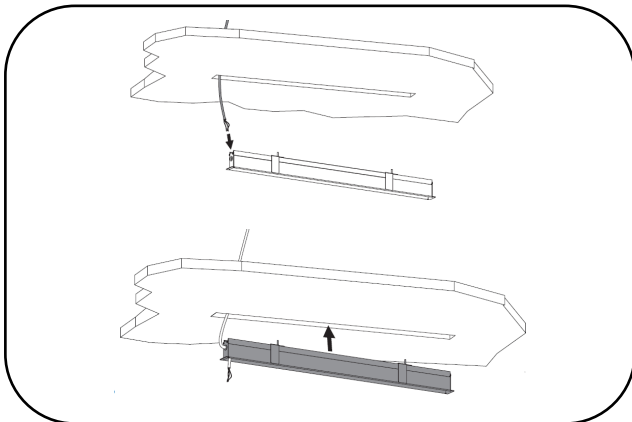
- 1 Drill  $\varnothing 0.18''$  (4.5 mm) holes into top surface of track according to distances above.



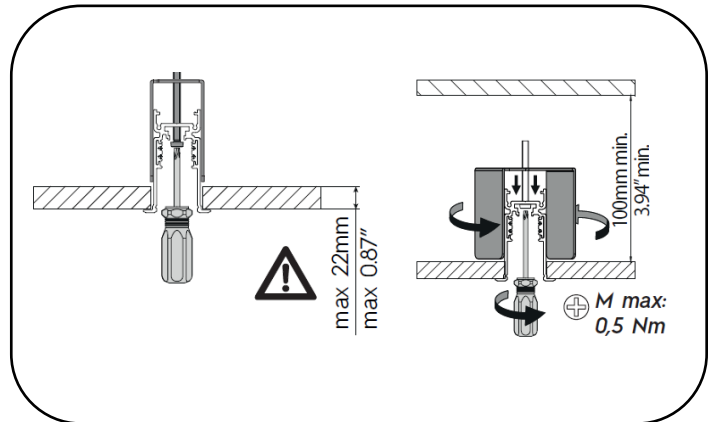
- 2 Attach the brackets onto the top surface of the track using M4 screws.



- 3 Install end caps using screws provided. Ensure the end cap with hole is installed on the end through which the power cord will be fed.



- 4 Connect the power cord then insert the track into the ceiling.



- 5 Unscrew the screws slightly to rotate the mounting bracket into the open position.

**Caution : ERALUX is not responsible for the structural integrity of any support structure used by installers or others, relative to product installation.**



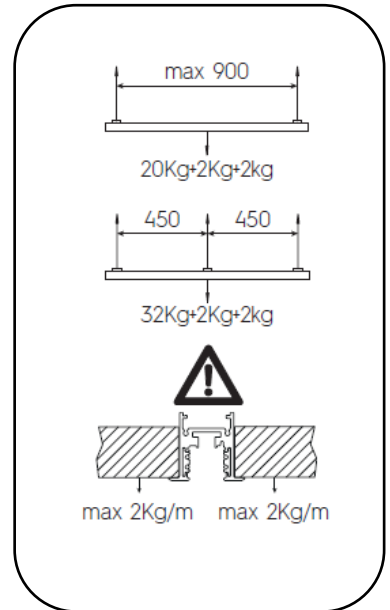
# JUPITER ST8/ST18 RECESSED MOUNTING - EN

INSTALLATION GUIDE

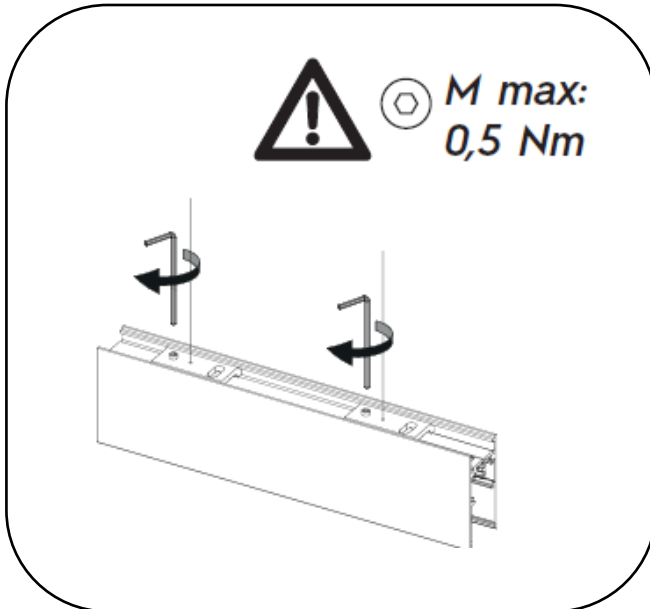
## INSTALL INSTRUCTIONS – RIGID SUSPENSION



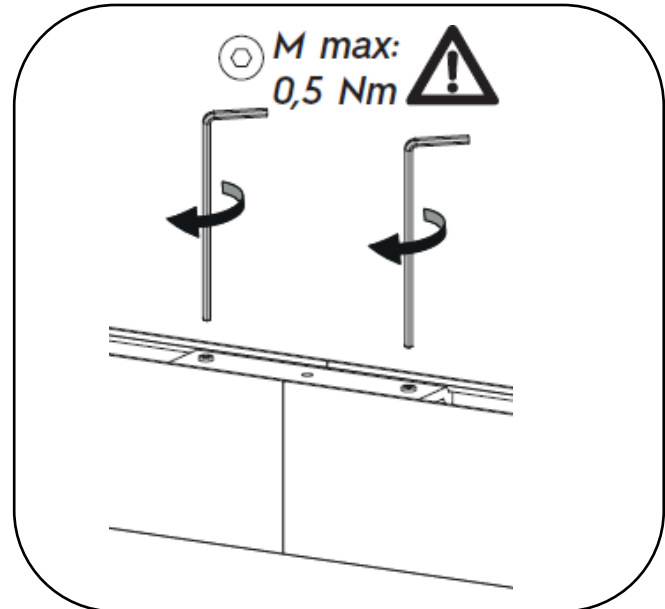
9500-KIT1-5



## INDIVIDUAL TRACK



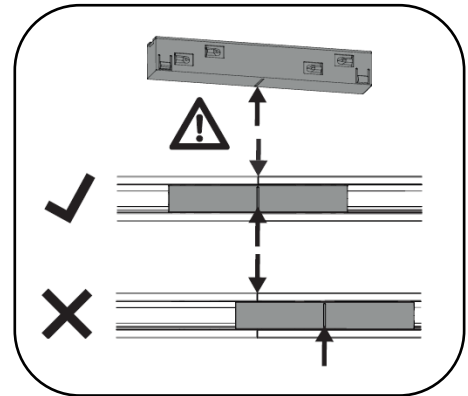
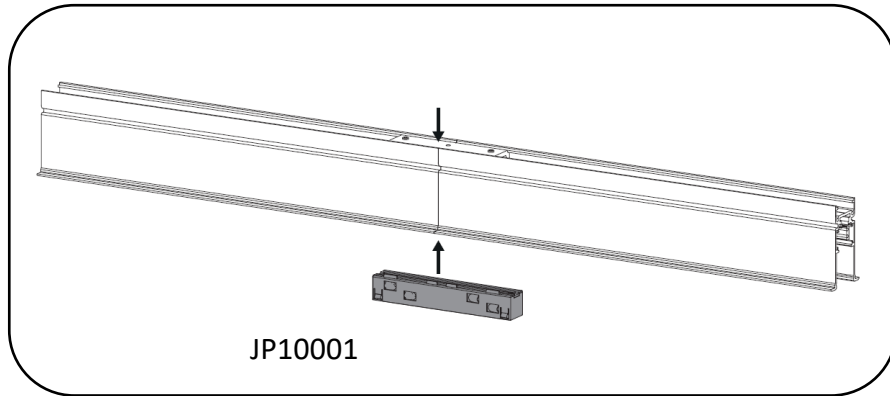
## CONTINUOUS ROW



Tighten set screws using an Allen key to secure brackets to track.

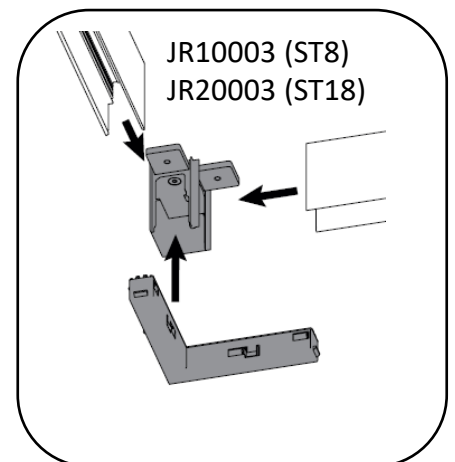
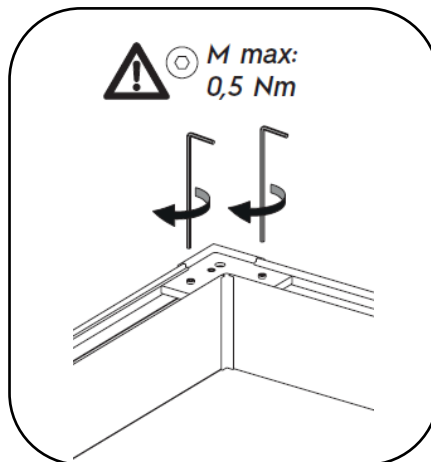
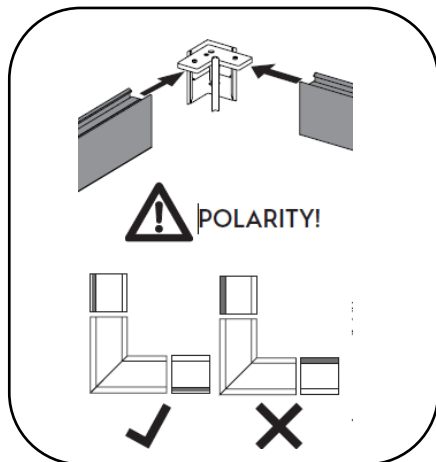
Caution : ERALUX is not responsible for the structural integrity of any support structure used by installers or others, relative to product installation.

## I CONNECTION



- 1 Make sure the centre of the I connector lines up with the centre of the bracket.

## L CONNECTION



- 1 Secure the connector housing to the tracks using an Allen key. Ensure the tracks are properly oriented with respect to their polarity.
- 2 Insert the connector.

**Caution : ERALUX is not responsible for the structural integrity of any support structure used by installers or others, relative to product installation.**