



IMPORTANT SAFETY INSTRUCTION

Must read prior to attempting installation. Always turn off main power before installation. Installation must be carried out by a trained and knowledgeable electrician ONLY.

When installing or using the track system, basic safety precautions MUST always be followed, including the following:

1. Do not install this lighting system in a damp or wet location.
2. Ensure the appropriate track connector is matched up with its compatible track rail.
3. Do not install any part of the track system less than **5 feet** above the floor.
4. Do not install any luminaire assembly closer than **6 inches** from any curtain, or similar combustible material.
5. Do not attempt to energize anything other than lighting track luminaires on the track. To reduce the risk of fire and electric shock, do not attempt to connect power tools, extension cords, appliances, and the like to the track.
6. Do not exceed the nominal supply voltage or amperage ratings.
7. Turn off the power at fuse or circuit breaker box before installation or any maintenance work.
8. Wear rubber soled shoes including any other recommended PPE and work on a sturdy wooden or non-conductive ladder.
9. Product must be mounted in locations and at heights in compliance with National Electrical Code and local building codes. **For indoor use only.**
10. Installing contrary to instructions may cause unsafe conditions.
11. Consult a qualified electrician before installation.
12. To avoid hazards to children, account for all parts and properly dispose of all packing materials.
13. Call the Technical Support department at ERALUX at 1-647-696-0898 with any installation questions.



IMPORTANT

This equipment is intended to be installed only by qualified personnel. The installation must be made in accordance with the current edition of the National Electrical Code and all applicable state/provinces and local building codes. The final installation must be approved by the appropriate, qualified electrical/ building inspector(s). Improper installation may result in a fire or electrical hazard. Be sure the electrical power to the circuit has been disconnected before installing this electrical system.



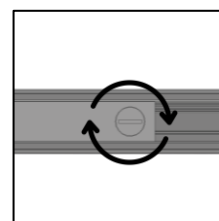
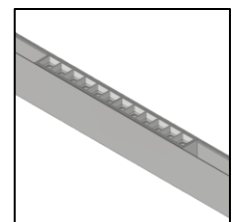
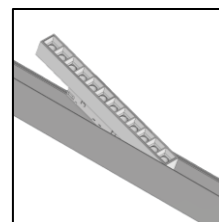
WARNING

Risk of fire. Most dwellings built before 1985 have supply wire rated at 60°C.

Consult a qualified electrician before installation.

IMPORTANT SAFETY INSTRUCTION

- To install:
 - A. Insert the fixture into the track channel, then push until it clicks into place. The fixture should sit flush with the track.
- To remove linear track head:
 - A. Slide a finger between the track head and the track.
 - B. Gently pull the track head away from the track, one end at a time.
- To remove pendant track head:
 - A. Rotate the locking slot to release the track head
 - B. While the slot is rotated, gently pull out the track head, one end at a time.





JUPITER ST2/ST6 SURFACE MOUNTING - EN

INSTALLATION GUIDE

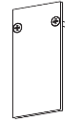
INSTALL INSTRUCTIONS - SCREW



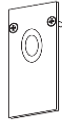
JR10009



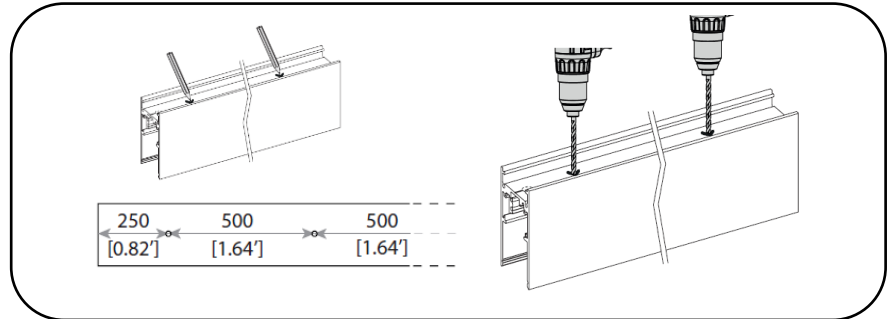
JR10009H



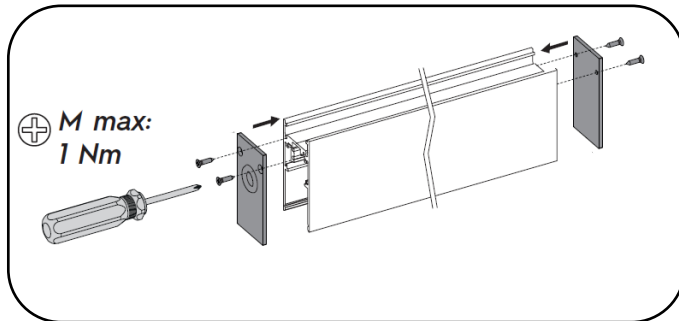
JR20009



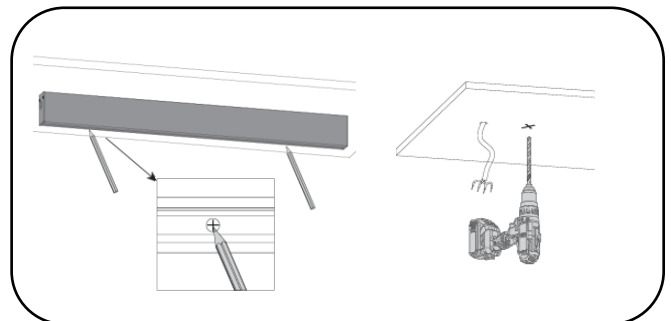
JS20009H



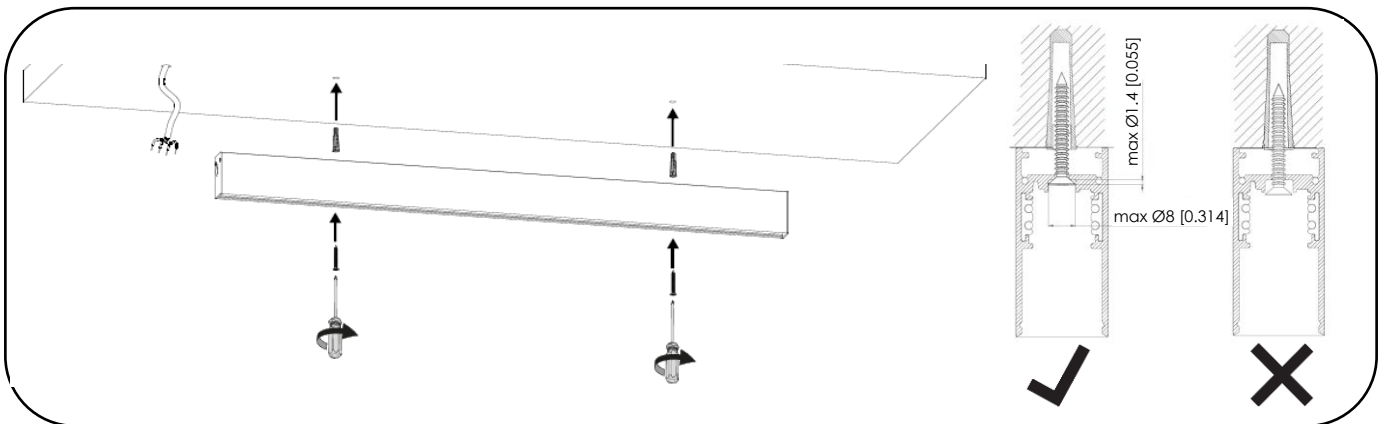
- 1 Measure and drill 4.5mm holes into top surface of track according to distances above.



- 2 Install end caps using screws provided. If using, ensure the end cap with hole is installed on the end through which the power cord will be fed.



- 3 Position track at install location. Mark position of holes and drill.



- 4 Install the track on the ceiling using screws and anchors. Ensure not to surpass the given size limits.

Caution : ERALUX is not responsible for the structural integrity of any support structure used by installers or others, relative to product installation.



JUPITER ST2/ST6 SURFACE MOUNTING - EN

INSTALLATION GUIDE

INSTALL INSTRUCTIONS – CLAMP



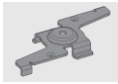
S-9500/114



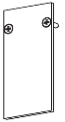
JS10009



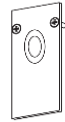
JS10009H



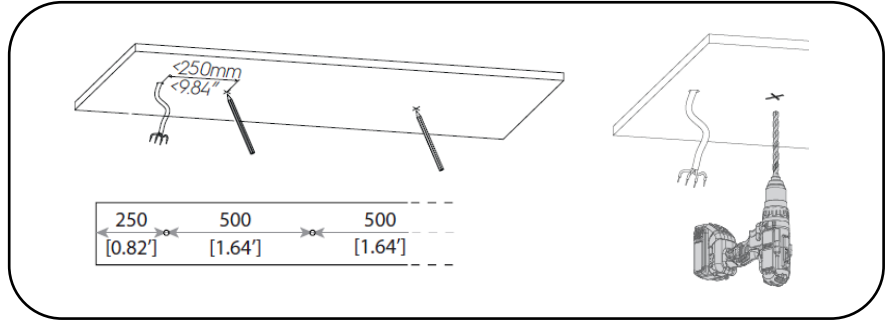
S-9500/114



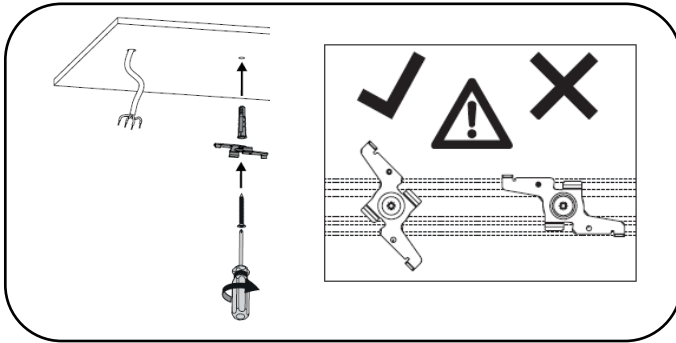
JS20009



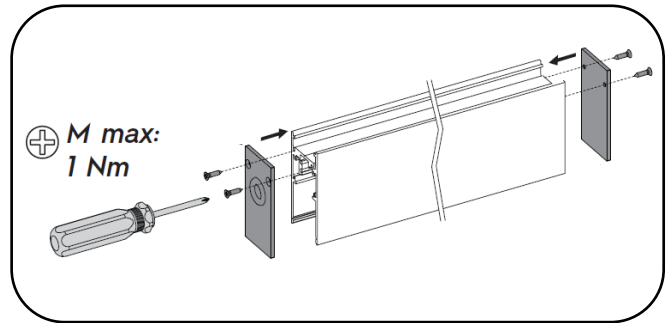
JS20009H



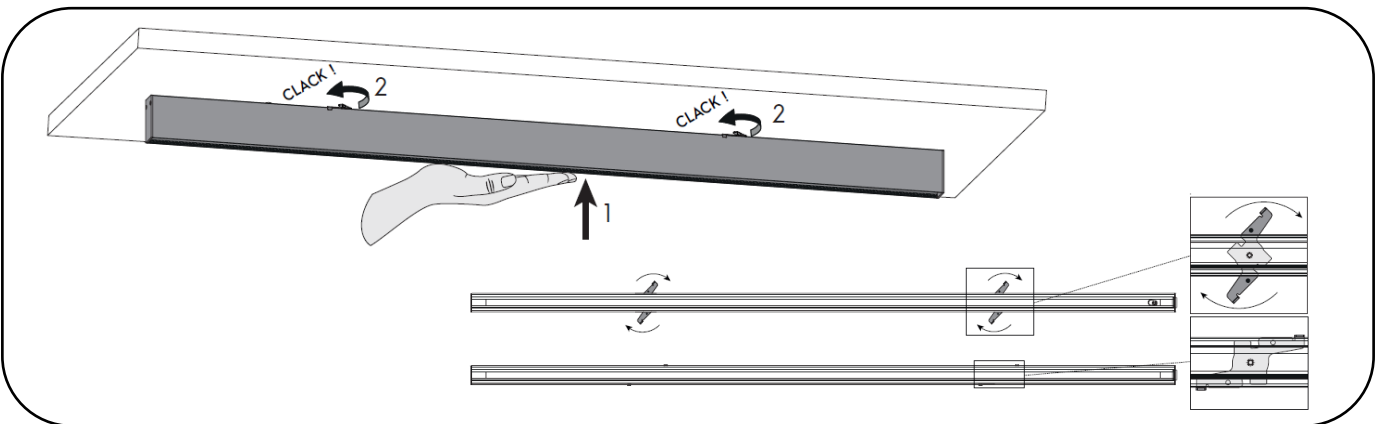
- 1 Drill holes into ceiling according to distances indicated.



- 2 Install clamps. Rotate them into the open position.



- 3 Install end caps using screws provided. If using, ensure the end cap with hole is installed on the end through which the power cord will be fed.



- 4 Install the tracks by pushing them into the clamps. Rotate the clamps to the closed position.

Caution : ERALUX is not responsible for the structural integrity of any support structure used by installers or others, relative to product installation.



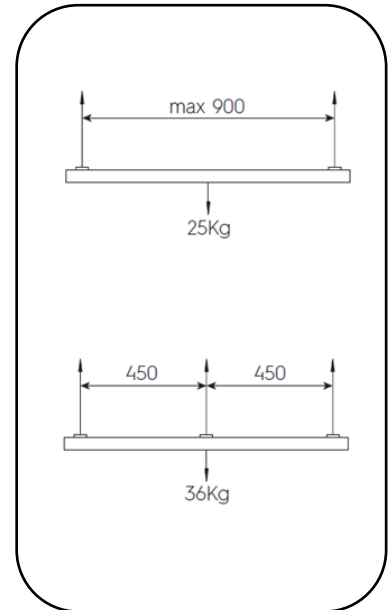
JUPITER ST2/ST6 SUSPENSION MOUNTING - EN

INSTALLATION GUIDE

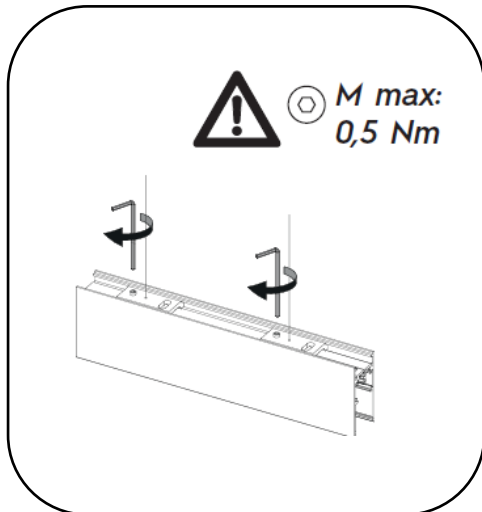
INSTALL INSTRUCTIONS – SUSPENSION KIT



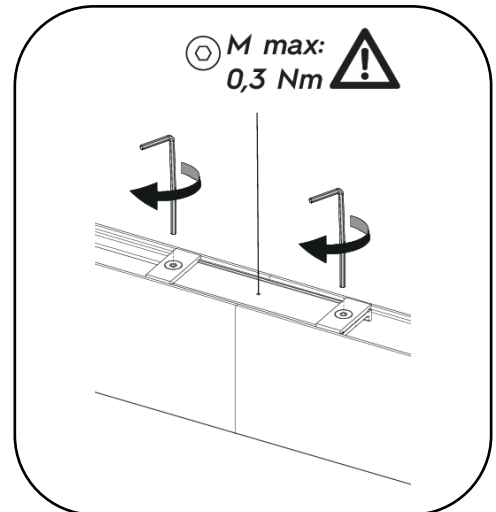
9500-KIT1-5



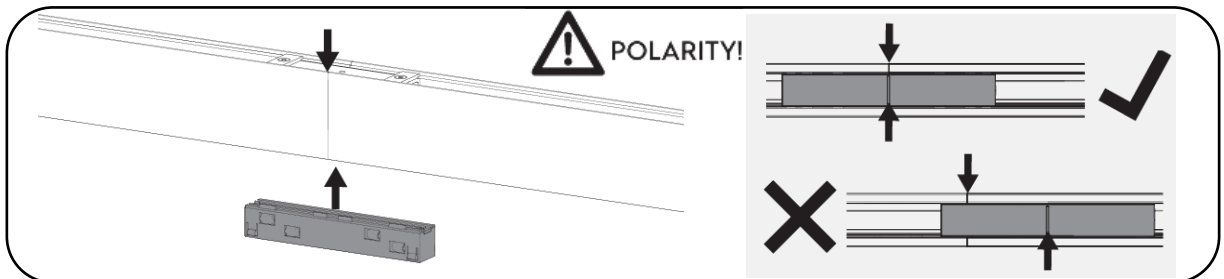
INDIVIDUAL TRACK



CONTINUOUS ROW



Tighten set screws using an Allen key to secure brackets to track.



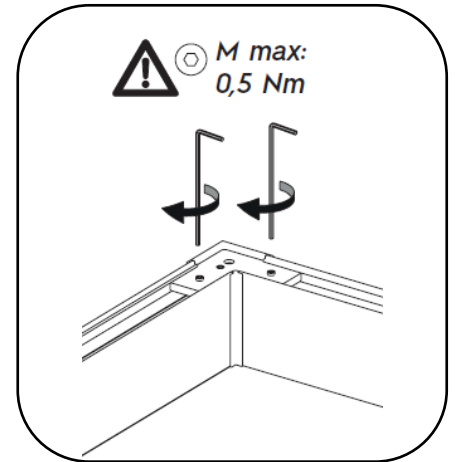
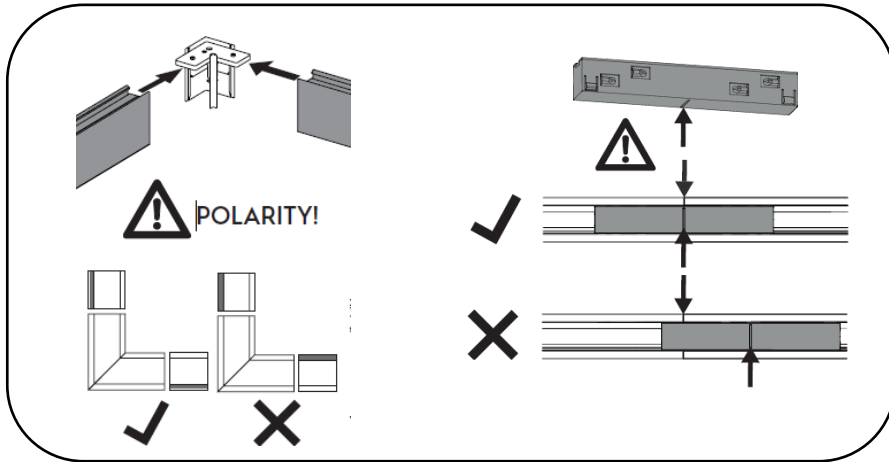
Caution : ERALUX is not responsible for the structural integrity of any support structure used by installers or others, relative to product installation.



JUPITER ST2/ST6 CONNECTIONS - EN

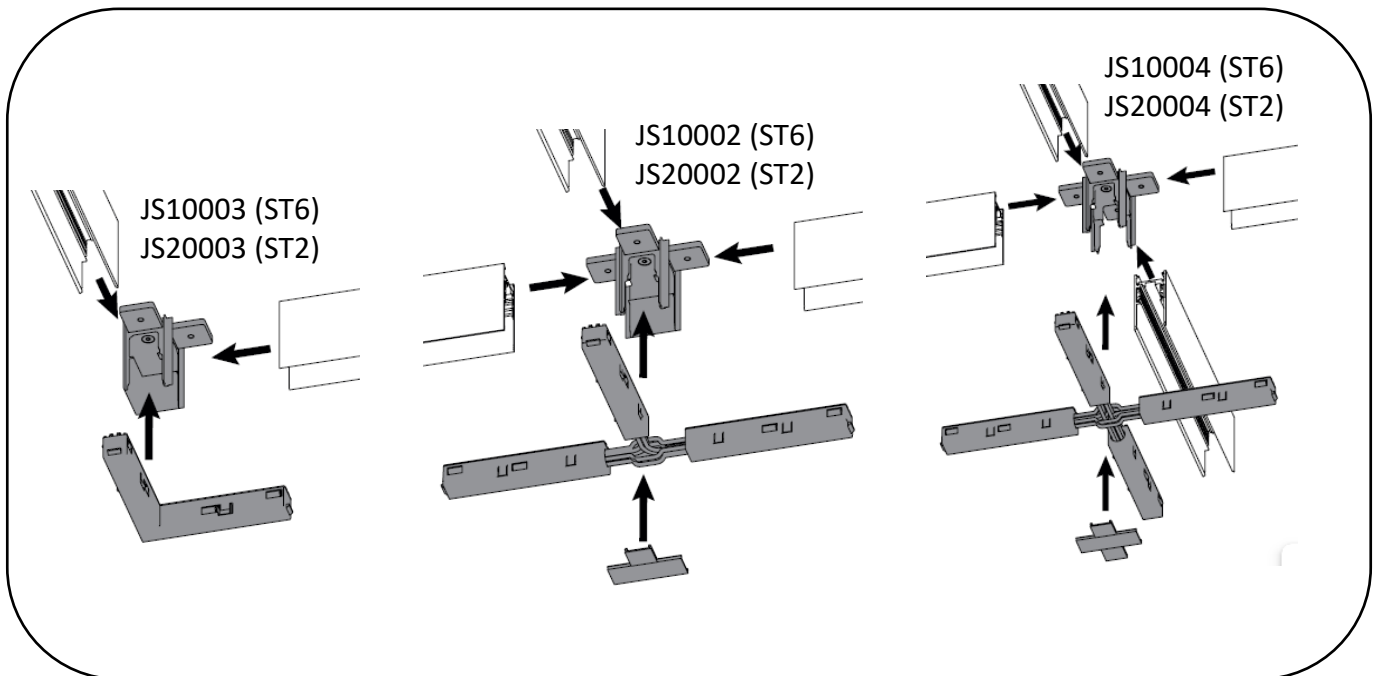
INSTALLATION GUIDE

INSTALL INSTRUCTIONS



- 1 Secure the connector housing to the tracks using an Allen key. Ensure the tracks are properly oriented with respect to their polarity. If using an I-connector, ensure the centre of the connector is aligned with the joint between the tracks.

PART NUMBERS



Caution : ERALUX is not responsible for the structural integrity of any support structure used by installers or others, relative to product installation.