

KEPLER PLUS

TRACK LED LIGHT

Cylinder Track Head | 1.5" Aperture

The KEPLER PLUS is designed as a sleek alternative to the traditional track light. It distinguishes itself with its slim, baffle reflector and compact look, variety of optical options, and a series of accessories to adapt to every possible scenario. This product comes standard at 90 CRI. The Kepler is an easy addition to your next project, available in black, white and silver finishes, it will brighten you space by providing 1053 lumens.

Applications: Art Galleries | Show Rooms | Retail Stores | Hospitality.

DATE	QTY	ACC. QTY	TYPE
PROJECT			
PN			
ACCESSORY PN			
NOTES			

DYNAMIC MENU	
Order Information	Page 2
Dimensions	Page 3
Accessories	Page 3
Photometric Data	Page 5

[Install Instruction link](#)

SPECIFICATIONS

Input Voltage	120V
Power Factor	>0.9
Total Harmonic Distortion	<20%
Dimming Page 4	TRIAC dimming
CRI	90 CRI
CCT	<div style="display: flex; gap: 10px;"> <div style="border: 1px solid black; border-radius: 50%; width: 20px; height: 20px; background-color: #fff9c4; display: flex; align-items: center; justify-content: center;">30K</div> <div style="border: 1px solid black; border-radius: 50%; width: 20px; height: 20px; background-color: #bbdefb; display: flex; align-items: center; justify-content: center;">40K</div> </div>
Efficacy	~78-83 lm/W
Power	13.5 W 1053 lm
Ambient Temperature Range	-10°C to 35°C
Mounting Adapter	Juno Halo Global Lightolier
Mounting Options	Track System Monopoint
Fixture Finish	Black White Silver
Distribution	Narrow Flood Wide



PRODUCT CERTIFICATIONS



SYSTEM WARRANTY – 5 YEARS

Eralux will warrant defective drivers, LEDs and boards for 5 years from the date of purchase. This warranty is valid only if the fixture is installed and used as per installation guides and specifications. If a defect is present, Eralux will send drivers and boards at no fee with a thorough replacement instructions along with instructions on the return of the defective parts back to Eralux.

LUMEN MAINTENANCE – L70 at 50,000 hours

Rated for 70% initial lumen output at 50,000 hours of operation, operated at 25°C ambient temperature; per guidelines published by the Illuminating Engineering Society (IES).

TRACK LED LIGHT

Cylinder Track Head | 1.5" Aperture



ORDERING GUIDE

AE-TL-KPP-12		P			
AE-TL-KPP-12 ERALUX Kepler Track Head 120Vac Input 13.5 W 1053 lm	NF Narrow Flood 25° FL Flood 35° WF Wide Flood 55°	P Premium 90 CRI	30 3000K 40 4000K	J1 Juno H1 Halo G1 Global L1 Lightolier	BK Black powder coat WH White powder coat SV Silver powder Coat
Fixture Family	Distribution	CRI	CCT	Adapter	Finish



ORDERING GUIDE-ACCESSORIES

Ordered separately

T10016 Monopoint Mounting T10017 Duopoint Mounting	-BK Black -WH White
Mounting	Finish

ORDERING GUIDE- TRACK SYSTEM

Track system and components are ordered with the track head if needed.

Refer to the links below for more information

T1
ERALUX Track T1
Compatible with Juno system-1 circuit

T2
ERALUX Track T2
Compatible with Juno system-2 circuit

H1
ERALUX Track H1
Compatible with Halo system-1 circuit

- 2** 2ft track
- 4** 4ft track
- 6** 6ft track
- 8** 8ft track
- 12** 12ft track
- 0001** Mini I Connector
- 0002** T Connector
- 0003** L Connector
- 0004** X Connector
- 0015** End Feed

-BK
Black Finish

-WH
White Finish

Track System	Components	Finish	PN	QTY
--------------	------------	--------	----	-----

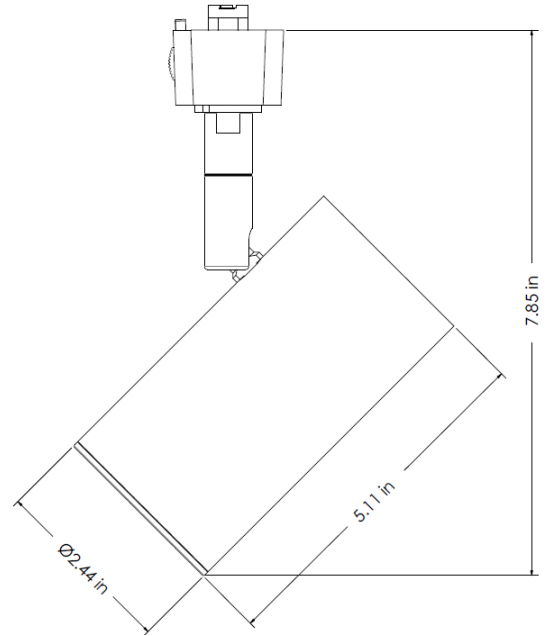
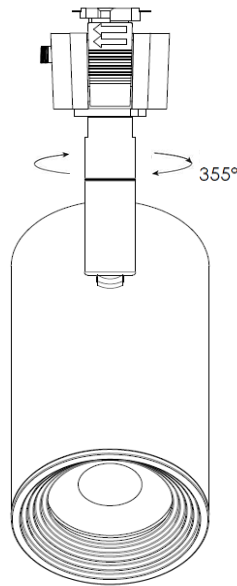
TRACK LED LIGHT

Cylinder Track Head | 1.5" Aperture

DIMENSIONS

AE-TL-KPP-12

- Rotation up to 355°
- Tilt +/- 90°



ACCESSORIES

MOUNTING

ORDERING CODE		DESCRIPTION	PICTURE
T10016	-WH	Monopoint adapter Surface / wall mount Compatible with Juno system 1 Track head can be installed.	
	-BK		
T10017	-WH	Duopoint adapter Surface / wall mount Compatible with Juno system. 2 Track heads can be installed.	
	-BK		

TRACK LED LIGHT

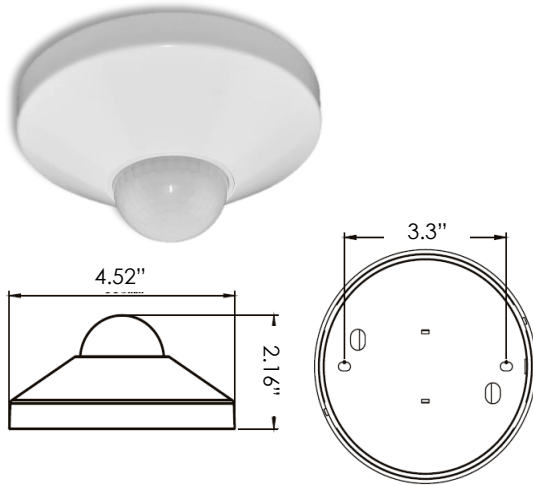
Cylinder Track Head | 1.5" Aperture

ROOM OCCUPANCY SENSOR

Ordered separately, field installed

PART NUMBER	DESCRIPTION
AE-CT-DT806	Detecta - Room Occupancy Sensor
RC102	RC102 Remote Control

SPECIFICATIONS		
Input Voltage	120-277 Vac	
Power Frequency	50/60HZ	
Rated Load	At 120 Vac	800W
	At 277 Vac	1200W
Detection Range	3-10 Meters	
	9.8-32.75 Feet	
Standby Power	~0.9W	
Time Setting	10 sec to 30 min	
Light Control	10-2,000LUX	
Installation	Ceiling Mounted	



DIMMER COMPATIBILITY LIST

TRIAC/ELV Dimming

Brand	Model	Brand	Model
Leviton	6602-X	Lutron	SLV-600X
	6681-X		S2-LX
	6683-X		GL-600H
	6684-X		NFTU-5A
	700-X	Cooper	DVLV-600P
	705-X		9530XXX
	6633		Lightolier
	6674	Advance	SR150LED120
	IPI06-1LZ		

LUMEN ESTIMATE

Lumen output varies based on CCT and CRI. An estimate of lumen output of the various CCT/CRI combinations, use correction factors as per table below:

LUMEN ESTIMATE ADJUSTMENT FACTORS

CCT	3000K	3500K	4000K
PREMIUM (90CRI)	0.8	0.86	0.93

PHOTOMETRIC DATA

PART NUMBER		ZONAL LUMEN SUMMARY			POLAR LUMINOUS INTENSITY	CONE DISTRIBUTION			
AE-TL-KPP-12NFP30X1XX		Zone	Lumens	% Fixture	Direct Light	Center Beam Fc	Beam Width		
Wattage	13.5W	0-20°	863.06	69.90		1.7ft	1746 fc	0.7 ft	0.7 ft
CCT	3000K	0-30°	1089.13	88.20		3.3ft	463 fc	1.4 ft	1.4 ft
Distribution	25°	0-40°	1157.42	93.80		5.0ft	202 fc	2.1 ft	2.1 ft
CBCP	5080	0-60°	1196.81	97.00		6.7ft	112 fc	2.7 ft	2.8 ft
		0-80°	1207.47	97.80		8.3ft	73.2 fc	3.4 ft	3.4 ft
		0-90°	1211.22	98.10	10.0ft	50.5 fc	4.1 ft	4.1 ft	
						■ Vert. Spread: 23.2° ■ Horiz. Spread: 23.4°			

PART NUMBER		ZONAL LUMEN SUMMARY			POLAR LUMINOUS INTENSITY	CONE DISTRIBUTION			
AE-TL-KPP-12FLP30X1XX		Zone	Lumens	% Fixture	Direct Light	Center Beam Fc	Beam Width		
Wattage	13.5W	0-20°	654.21	56.00		1.7ft	905 fc	1.1 ft	1.1 ft
CCT	3000K	0-30°	938.55	80.30		3.3ft	240 fc	2.0 ft	2.1 ft
Distribution	35°	0-40°	1064.35	91.00		5.0ft	105 fc	3.1 ft	3.1 ft
CBCP	2620	0-60°	1128.95	96.60		6.7ft	58.3 fc	4.1 ft	4.2 ft
		0-80°	1143.33	97.80		8.3ft	38 fc	5.1 ft	5.2 ft
		0-90°	1147.11	98.10	10.0ft	26.2 fc	6.2 ft	6.2 ft	
						■ Vert. Spread: 34.4° ■ Horiz. Spread: 34.7°			

PART NUMBER		ZONAL LUMEN SUMMARY			POLAR LUMINOUS INTENSITY	CONE DISTRIBUTION			
AE-TL-KPP-12WFP30X1XX		Zone	Lumens	% Fixture	Direct Light	Center Beam Fc	Beam Width		
Wattage	13.5W	0-20°	457.97	39.90		1.7ft	467 fc	1.7 ft	1.8 ft
CCT	3000K	0-30°	814.43	71.00		3.3ft	124 fc	3.4 ft	3.4 ft
Distribution	55°	0-40°	1016.03	88.60		5.0ft	54 fc	5.1 ft	5.2 ft
CBCP	1350	0-60°	1104.92	96.30		6.7ft	30.1 fc	6.9 ft	6.9 ft
		0-80°	1122.41	97.80		8.3ft	19.6 fc	8.5 ft	8.6 ft
		0-90°	1126.9	98.20	10.0ft	13.5 fc	10.3 ft	10.3 ft	
						■ Vert. Spread: 54.4° ■ Horiz. Spread: 54.7°			

KEPLER PLUS

eralux®

TRACK LED LIGHT

Cylinder Track Head | 1.5" Aperture

OVERVIEW



Innovative Design

- Die cast aluminum housing for better heat dissipation.
- Baffle reflector for minimizing glare.
- Improved design extends LED and driver lifespan.
- Longer and higher power than Kepler



Multiple Options

- 25°, 35° or 55° beam angle
- Two CCTs available.
- Black, white, and silver finishes.



Mountings Available

- Choose from any of the popular track systems such as Juno, Halo, Global or Lightolier.
- Surface mount with either monopoint or duopoint adapters.



Tests And Certifications

