

# KEPLER PLUS

## TRACK LED LIGHT

### Cylinder Track Head | 1.5" Aperture

The KEPLER PLUS is designed as a sleek alternative to the traditional track light. It distinguishes itself with its slim, baffle reflector and compact look, variety of optical options, and a series of accessories to adapt to every possible scenario. This product comes standard at 90 CRI. The Kepler is an easy addition to your next project, available in black, white and silver finishes, it will brighten you space by providing 1260 lumens.

Applications: Art Galleries | Show Rooms | Retail Stores | Hospitality

|              | DATE | QTY | ACC. QTY | TYPE |
|--------------|------|-----|----------|------|
| PROJECT      |      |     |          |      |
| PN           |      |     |          |      |
| ACCESSORY PN |      |     |          |      |
| NOTES        |      |     |          |      |

| <b>DYNAMIC MENU</b> |                        |
|---------------------|------------------------|
| Order Information   | <a href="#">Page 2</a> |
| Dimensions          | <a href="#">Page 3</a> |
| Accessories         | <a href="#">Page 3</a> |
| Photometric Data    | <a href="#">Page 5</a> |

[Install Instruction link](#)



### SPECIFICATIONS

|                                |   |
|--------------------------------|---|
| Input Voltage                  | 120V  |
| Power Factor                   | >0.9  |
| Total Harmonic Distortion      | <20%  |
| Dimming <a href="#">Page 4</a> | TRIAC dimming   |
| CRI                            | 90 CRI  |
| CCT                            | <div style="display: flex; gap: 10px;"> <div style="border: 1px solid black; border-radius: 50%; width: 20px; height: 20px; background-color: #fff9c4; display: flex; align-items: center; justify-content: center;">30K</div> <div style="border: 1px solid black; border-radius: 50%; width: 20px; height: 20px; background-color: #e0e0e0; display: flex; align-items: center; justify-content: center;">35K</div> <div style="border: 1px solid black; border-radius: 50%; width: 20px; height: 20px; background-color: #e0f7fa; display: flex; align-items: center; justify-content: center;">40K</div> </div> |
| Efficacy                       | ~82-95 lm/W   |
| Power                          | 14.3 W   1260 lm  |
| Ambient Temperature Range      | -10°C to 35°C   |
| Mounting Adapter               | Juno   Halo   Global   Lightolier   |
| Mounting Options               | Track System   Monopoint  |
| Fixture Finish                 | Black   White   Silver  |
|                                | Narrow   Flood   Wide   |
| Distribution                   |   |

### PRODUCT CERTIFICATIONS



### SYSTEM WARRANTY – 5 YEARS

Eralux will warrant defective drivers, LEDs and boards for 5 years from the date of purchase. This warranty is valid only if the fixture is installed and used as per installation guides and specifications. If a defect is present, Eralux will send drivers and boards at no fee with a thorough replacement instructions along with instructions on the return of the defective parts back to Eralux.

### LUMEN MAINTENANCE – L70 at 50,000 hours

Rated for 70% initial lumen output at 50,000 hours of operation, operated at 25°C ambient temperature; per guidelines published by the Illuminating Engineering Society (IES).

## TRACK LED LIGHT

Cylinder Track Head | 1.5" Aperture

### ORDERING GUIDE

|   |   |                               |  |  |   |
|---|---|-------------------------------|--|--|---|
| <b>AE-TL-KPP-12</b>   |   | <b>P</b>                      |  |  |   |
| <b>AE-TL-KPP-12</b><br>ERALUX Kepler Plus Track Head<br><br>120Vac Input<br>14.3W   1260 lm | <b>NF</b><br>Narrow Flood<br>23°<br><b>FL</b><br>Flood<br>34°<br><b>WF</b><br>Wide Flood<br>55° | <b>P</b><br>Premium<br>90 CRI | <b>30</b><br>3000K<br><b>35</b><br>3500K<br><b>40</b><br>4000K | <b>J1</b><br>Juno<br><b>H1</b><br>Halo<br><b>G1</b><br>Global<br><b>L1</b><br>Lightolier | <b>BK</b><br>Black powder coat<br><b>WH</b><br>White powder coat<br><b>SV</b><br>Silver powder coat |
| <b>Fixture Family</b>   | <b>Distribution</b>   | <b>CRI</b>                    | <b>CCT</b>   | <b>Adapter</b>   | <b>Finish</b>   |

### ORDERING GUIDE - ACCESSORIES

Ordered separately

|   |   |
|---|---|
|   |   |
| <b>T10016</b><br>Monopoint Mounting<br><b>T10017</b><br>Duopoint Mounting | <b>-BLK</b><br>Black<br><b>-WHT</b><br>White<br><b>-SLV</b><br>Silver |
| <b>Mounting</b>   | <b>Finish</b>   |

### ORDERING GUIDE - TRACK SYSTEM

Track system and components are ordered with the track head if needed.

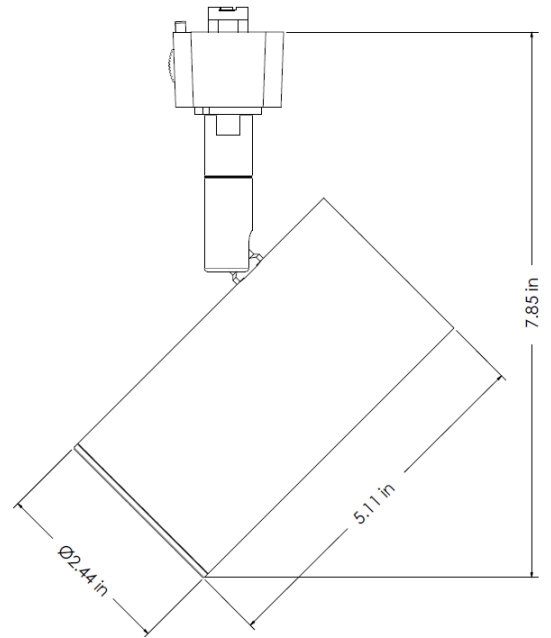
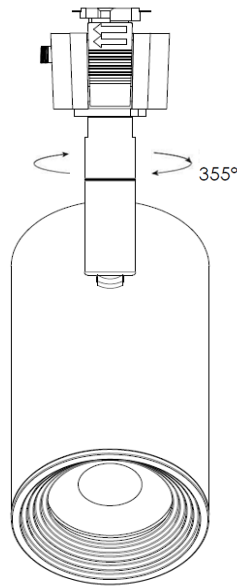
Refer to the links below for more information

|   |   |                             |           |            |
|---|---|-----------------------------|-----------|------------|
| <b>T1</b><br>ERALUX Track T1<br>Compatible with Juno system-1 circuit | <b>-2</b> 2ft track<br><b>-4</b> 4ft track<br><b>-6</b> 6ft track<br><b>-8</b> 8ft track<br><b>-12</b> 12ft track                     | <b>-BK</b><br>Black Finish  |           |            |
| <b>T2</b><br>ERALUX Track T2<br>Compatible with Juno system-2 circuit | <b>0001</b> Mini I Connector<br><b>0002</b> T Connector<br><b>0003</b> L Connector<br><b>0004</b> X Connector<br><b>0015</b> End Feed | <b>-WH</b><br>White Finish  |           |            |
| <b>H1</b><br>ERALUX Track H1<br>Compatible with Halo system-1 circuit |   | <b>-SV</b><br>Silver Finish |           |            |
| <b>TRACK SYSTEM</b>   | <b>Track System</b>   | <b>Finish</b>               | <b>PN</b> | <b>QTY</b> |

#### DIMENSIONS

AE-TL-KPP-12

- Rotation up to 355°
- Tilt +/- 90°



#### ACCESSORIES

#### MOUNTING

| ORDERING CODE |     | DESCRIPTION   | PICTURE |
|---------------|-----|---|---------|
| T10016        | -WH | Monopoint adapter<br>Surface / wall mount<br>Compatible with Juno system<br>1 Track head can be installed.  |         |
|               | -BK |   |         |
| T10017        | -WH | Duopoint adapter<br>Surface / wall mount<br>Compatible with Juno system.<br>2 Track heads can be installed. |         |
|               | -BK |   |         |

## TRACK LED LIGHT

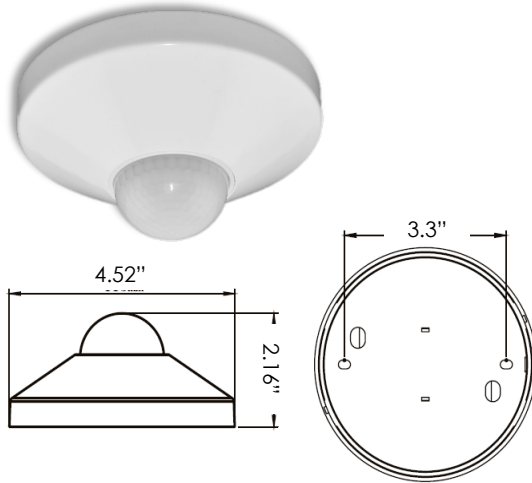
Cylinder Track Head | 1.5" Aperture

### ROOM OCCUPANCY SENSOR

Ordered separately, field installed

| PART NUMBER | DESCRIPTION                     |
|-------------|---------------------------------|
| AE-CT-DT806 | Detecta - Room Occupancy Sensor |
| RC102       | RC102 Remote Control            |

| SPECIFICATIONS         |                  |       |
|------------------------|------------------|-------|
| <b>Input Voltage</b>   | 120-277 Vac      |       |
| <b>Power Frequency</b> | 50/60HZ          |       |
| <b>Rated Load</b>      | At 120 Vac       | 800W  |
|                        | At 277 Vac       | 1200W |
| <b>Detection Range</b> | 3-10 Meters      |       |
|                        | 9.8-32.75 Feet   |       |
| <b>Standby Power</b>   | ~0.9W            |       |
| <b>Time Setting</b>    | 10 sec to 30 min |       |
| <b>Light Control</b>   | 10-2,000LUX      |       |
| <b>Installation</b>    | Ceiling Mounted  |       |



### DIMMER COMPATIBILITY LIST

TRIAC/ELV Dimming

| Brand   | Model     | Brand   | Model       |
|---------|-----------|---------|-------------|
| Leviton | 6602-X    | Lutron  | SLV-600X    |
|         | 6681-X    |         | S2-LX       |
|         | 6683-X    |         | GL-600H     |
|         | 6684-X    |         | NFTU-5A     |
|         | 700-X     | Cooper  | DVLV-600P   |
|         | 705-X     |         | 9530XXX     |
|         | 6633      |         | Lightolier  |
|         | 6674      | Advance | SR150LED120 |
|         | IPI06-1LZ |         |             |

### LUMEN ESTIMATE

Lumen output varies based on CCT and CRI. An estimate of lumen output of the various CCT/CRI combinations, use correction factors as per table below:

#### LUMEN ESTIMATE ADJUSTMENT FACTORS

| CCT             | 3000K | 3500K | 4000K |
|-----------------|-------|-------|-------|
| PREMIUM (90CRI) | 0.8   | 0.86  | 0.93  |

### PHOTOMETRIC DATA

| PART NUMBER           |       | ZONAL LUMEN SUMMARY |         |           | POLAR LUMINOUS INTENSITY | CONE DISTRIBUTION                               |            |        |        |
|-----------------------|-------|---------------------|---------|-----------|--------------------------|---|------------|--------|--------|
| AE-TL-KPP-12NFP30X1XX |       | Zone                | Lumens  | % Fixture | Direct Light             | Center Beam Fc                                  | Beam Width |        |        |
| Wattage               | 14.3W | 0-20°               | 876     | 68.3      |                          | 2.5ft   | 825 fc     | 1.0 ft | 1.0 ft |
| CCT                   | 3000K | 0-30°               | 1115.92 | 87.1      |                          | 5.0ft   | 206 fc     | 2.1 ft | 2.1 ft |
| Distribution          | 23°   | 0-40°               | 1189.79 | 92.8      |                          | 7.5ft   | 91.6 fc    | 3.1 ft | 3.1 ft |
| CBCP                  | 5160  | 0-60°               | 1231.33 | 96.1      |                          | 10.0ft  | 51.5 fc    | 4.1 ft | 4.1 ft |
|                       |       | 0-80°               | 1245.42 | 97.2      |                          | 12.5ft  | 33 fc      | 5.1 ft | 5.2 ft |
|                       |       | 0-90°               | 1250.66 | 97.6      | 15.0ft                   | 22.9 fc   | 6.2 ft     | 6.2 ft |        |
|                       |       |                     |         |           |                          | ■ Vert. Spread: 23.2°<br>■ Horiz. Spread: 23.3° |            |        |        |

| PART NUMBER           |       | ZONAL LUMEN SUMMARY |         |           | POLAR LUMINOUS INTENSITY | CONE DISTRIBUTION                               |            |        |        |
|-----------------------|-------|---------------------|---------|-----------|--------------------------|---|------------|--------|--------|
| AE-TL-KPP-12FLP30X1XX |       | Zone                | Lumens  | % Fixture | Direct Light             | Center Beam Fc                                  | Beam Width |        |        |
| Wattage               | 14.3W | 0-20°               | 687.16  | 55.2      |                          | 2.5ft   | 440 fc     | 1.6 ft | 1.6 ft |
| CCT                   | 3000K | 0-30°               | 986.89  | 79.3      |                          | 5.0ft   | 110 fc     | 3.1 ft | 3.1 ft |
| Distribution          | 34°   | 0-40°               | 1119.21 | 89.9      |                          | 7.5ft   | 48.9 fc    | 4.7 ft | 4.7 ft |
| CBCP                  | 2760  | 0-60°               | 1186.78 | 95.3      |                          | 10.0ft  | 27.5 fc    | 6.3 ft | 6.2 ft |
|                       |       | 0-80°               | 1206.04 | 96.9      |                          | 12.5ft  | 17.6 fc    | 7.8 ft | 7.8 ft |
|                       |       | 0-90°               | 1211.63 | 97.3      | 15.0ft                   | 12.2 fc   | 9.4 ft     | 9.3 ft |        |
|                       |       |                     |         |           |                          | ■ Vert. Spread: 34.7°<br>■ Horiz. Spread: 34.4° |            |        |        |

| PART NUMBER           |       | ZONAL LUMEN SUMMARY |         |           | POLAR LUMINOUS INTENSITY | CONE DISTRIBUTION                               |            |         |         |
|-----------------------|-------|---------------------|---------|-----------|--------------------------|---|------------|---------|---------|
| AE-TL-KPP-12WFP30X1XX |       | Zone                | Lumens  | % Fixture | Direct Light             | Center Beam Fc                                  | Beam Width |         |         |
| Wattage               | 14.3W | 0-20°               | 475     | 39.5      |                          | 2.5ft   | 221 fc     | 2.6 ft  | 2.6 ft  |
| CCT                   | 3000K | 0-30°               | 849.24  | 70.7      |                          | 5.0ft   | 55.2 fc    | 5.2 ft  | 5.2 ft  |
| Distribution          | 55°   | 0-40°               | 1055.25 | 87.8      |                          | 7.5ft   | 24.5 fc    | 7.9 ft  | 7.9 ft  |
| CBCP                  | 1380  | 0-60°               | 1141.14 | 94.9      |                          | 10.0ft  | 13.8 fc    | 10.5 ft | 10.5 ft |
|                       |       | 0-80°               | 1163.02 | 96.8      |                          | 12.5ft  | 8.83 fc    | 13.1 ft | 13.1 ft |
|                       |       | 0-90°               | 1168.77 | 97.2      | 15.0ft                   | 6.13 fc   | 15.7 ft    | 15.7 ft |         |
|                       |       |                     |         |           |                          | ■ Vert. Spread: 55.3°<br>■ Horiz. Spread: 55.3° |            |         |         |

#### OVERVIEW



#### Innovative Design

- Die-cast aluminum housing for better heat dissipation.
- Baffle reflector to minimize glare.
- Improved design extends LED and driver lifespan.



#### Multiple Options

- 23°, 34° or 55° beam angle
- Three CCTs available: 30/35/40K
- Black, white, and silver finishes.



#### Mountings Available

- Choose from any of the popular track systems such as Juno, Halo, Global or Lightolier.
- Surface mount with either monopoint or duopoint adapters.



#### Tests And Certifications

