

# KEPLER

## TRACK LED LIGHT

### Cylinder Track Head | 1.5" Aperture

The KEPLER is designed as a sleek alternative to the traditional track light. It distinguishes itself with its slim, baffle reflector and compact look, variety of optical options, and a series of accessories to adapt to every possible scenario. This product comes standard at 90 CRI. The Kepler is an easy addition to your next project, available in black, white and silver finishes, it will brighten you space by providing 750 lumens.

Applications: Art Galleries | Show Rooms | Retail Stores | Hospitality

	DATE	QTY	ACC. QTY	TYPE
PROJECT				
PN				
ACCESSORY PN				
NOTES				



### DYNAMIC MENU

Order Information	<a href="#">Page 2</a>
Dimensions	<a href="#">Page 3</a>
Accessories	<a href="#">Page 3</a>
Photometric Data	<a href="#">Page 5</a>

[Install Instruction link](#)

### SPECIFICATIONS

Input Voltage	120V
Power Factor	>0.9
Total Harmonic Distortion	<20%T
Dimming <a href="#">Page 4</a>	TRIAC dimming
CRI	90 CRI
CCT & Color	<div style="display: flex; gap: 10px;"> <div style="border: 1px solid black; border-radius: 50%; width: 20px; height: 20px; background-color: #ffff00; display: flex; align-items: center; justify-content: center;">30K</div> <div style="border: 1px solid black; border-radius: 50%; width: 20px; height: 20px; background-color: #add8e6; display: flex; align-items: center; justify-content: center;">40K</div> <div style="border: 1px solid black; border-radius: 50%; width: 20px; height: 20px; background-color: #800080; display: flex; align-items: center; justify-content: center;">MG</div> <div style="border: 1px solid black; border-radius: 50%; width: 20px; height: 20px; background-color: #ff0000; display: flex; align-items: center; justify-content: center;">RD</div> </div>
Efficacy	~69-80 lm/W
Power	10 W   750 lm
Ambient Temperature Range	-10°C to 35°C
Mounting Adapter	Juno   Halo   Lightolier
Mounting Options	Track System   Monopoint
Fixture Finish	Black   White   Silver
Distribution	Flood   Wide   Very Wide 



### PRODUCT CERTIFICATIONS



### SYSTEM WARRANTY – 5 YEARS

Eralux will warrant defective drivers, LEDs and boards for 5 years from the date of purchase. This warranty is valid only if the fixture is installed and used as per installation guides and specifications. If a defect is present, Eralux will send drivers and boards at no fee with a thorough replacement instructions along with instructions on the return of the defective parts back to Eralux.

### LUMEN MAINTENANCE – L70 at 50,000 hours

Rated for 70% initial lumen output at 50,000 hours of operation, operated at 25°C ambient temperature; per guidelines published by the Illuminating Engineering Society (IES).

## TRACK LED LIGHT

Cylinder Track Head | 1.5" Aperture



### ORDERING GUIDE

<b>AE-TL-KP-12</b>				
--------------------	--	--	--	--

**AE-TL-KP-12**  
ERALUX Kepler  
Track Head

120Vac Input  
10 W | 750 lm

**FL**  
Flood  
25°

**WF**

Wide Flood  
35°

**VF**

Very Wide Flood  
55°

**P30**  
3000K  
Premium  
90 CRI

**P40**  
4000K  
Premium  
90 CRI

**MG<sup>1</sup>**  
Magenta

**RD<sup>1</sup>**  
RED

**J1**

Juno

**H1**

Halo

**L1**

Lightolier

**BK**  
Black powder coat

**WH**

White powder coat

**SV**

Silver powder coat

Fixture Family

Distribution

CCT & Color

Adapter

Finish



### ORDERING GUIDE-ACCESSORIES

Ordered separately

#### NOTES

- Magenta and Red lights are only available in Wide Flood, and Black/White finish

--	--

**T10016**

Monopoint Mounting

**T10017**

Duopoint Mounting

**-BLK**

Black

**-WHT**

White

**-SLV**

Silver

Mounting

Finish



### ORDERING GUIDE- TRACK SYSTEM

Track system and components are ordered with the track head if needed.

Refer to the links below for more information

**T1**  
[ERALUX Track T1](#)  
Compatible with Juno system-1 circuit

**T2**  
[ERALUX Track T2](#)  
Compatible with Juno system-2 circuit

**H1**  
[ERALUX Track H1](#)  
Compatible with Halo system-1 circuit

**-2** 2ft track  
**-4** 4ft track  
**-6** 6ft track  
**-8** 8ft track  
**-12** 12ft track  
**0001** Mini I Connector  
**0002** T Connector  
**0003** L Connector  
**0004** X Connector  
**0015** End Feed

**-BK**  
Black Finish

**-WH**  
White Finish

**-SV**  
Silver Finish


TRACK SYSTEM

Track System

Finish

PN

QTY

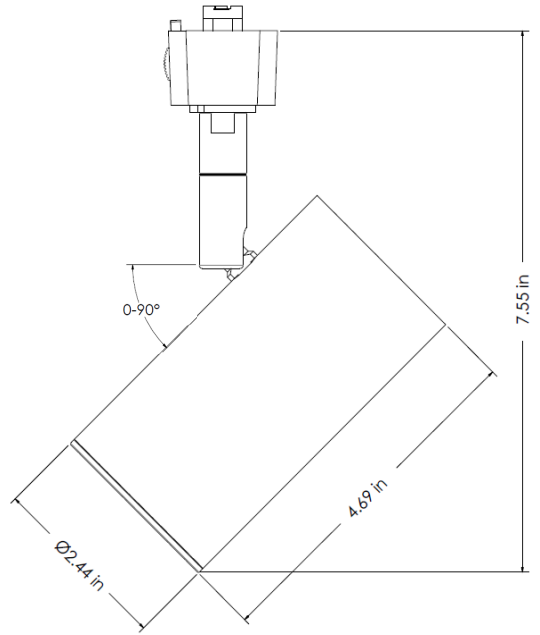
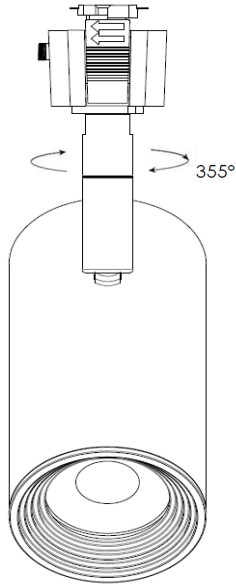
## TRACK LED LIGHT

Cylinder Track Head | 1.5" Aperture

### DIMENSIONS

AE-TL-KP-12

- Rotation up to 355°
- Tilt +/- 90°



### ACCESSORIES

#### MOUNTING

ORDERING CODE		DESCRIPTION	PICTURE
T10016	-WH	Monopoint adapter Surface / wall mount Compatible with Juno system 1 Track head can be installed.	
	-BK		
T10017	-WH	Duopoint adapter Surface / wall mount Compatible with Juno system. 2 Track heads can be installed.	
	-BK		

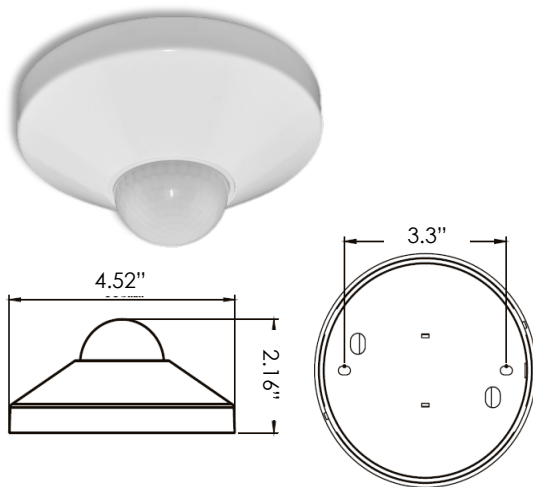
## TRACK LED LIGHT

Cylinder Track Head | 1.5" Aperture

### ROOM OCCUPANCY SENSOR

Ordered separately, field installed

PART NUMBER	DESCRIPTION
AE-CT-DT806	Detecta - Room Occupancy Sensor
RC102	RC102 Remote Control



SPECIFICATIONS		
Input Voltage	120-277 Vac	
Power Frequency	50/60HZ	
Rated Load	At 120 Vac	800W
	At 277 Vac	1200W
Detection Range	3-10 Meters	
	9.8-32.75 Feet	
Standby Power	~0.9W	
Time Setting	10 sec to 30 min	
Light Control	10-2,000LUX	
Installation	Ceiling Mounted	

### DIMMER COMPATIBILITY LIST

TRIAC/ELV Dimming

Brand	Model
Leviton	IPL06
Lutron	CTCL-153P
	DVELV-300P-WH
	N-600-AL

### LUMEN ESTIMATE

Lumen output varies based on CCT and CRI. An estimate of lumen output of the various CCT/CRI combinations, use correction factors as per table below:

#### LUMEN ESTIMATE ADJUSTMENT FACTORS

CCT	3000K	3500K	4000K
PREMIUM (90CRI)	0.8	0.86	0.93

### PHOTOMETRIC DATA

PART NUMBER		ZONAL LUMEN SUMMARY			POLAR LUMINOUS INTENSITY	CONE DISTRIBUTION			
AE-TL-KP-12FLP30X1XX		Zone	Lumens	% Fixture	Direct Light	Center Beam Fc	Beam Width		
Wattage	10W	0-20°	488.49	63.90		1.7ft	961 fc	0.7 ft	0.7 ft
CCT	3000K	0-30°	640.47	83.80		3.3ft	255 fc	1.4 ft	1.4 ft
Distribution	25°	0-40°	691.10	90.40		5.0ft	111 fc	2.1 ft	2.1 ft
CBCP	2780	0-60°	718.08	94.00		6.7ft	61.9 fc	2.8 ft	2.8 ft
		0-80°	729.80	95.50		8.3ft	40.3 fc	3.5 ft	3.5 ft
		0-90°	734.73	96.10	10.0ft	27.8 fc	4.2 ft	4.2 ft	
						■ Vert. Spread: 23.9° ■ Horiz. Spread: 23.9°			

PART NUMBER		ZONAL LUMEN SUMMARY			POLAR LUMINOUS INTENSITY	CONE DISTRIBUTION			
AE-TL-KP-12WFP30X1XX		Zone	Lumens	% Fixture	Direct Light	Center Beam Fc	Beam Width		
Wattage	10W	0-20°	386.20	53.30		1.7ft	551 fc	1.0 ft	1.0 ft
CCT	3000K	0-30°	558.29	77.00		3.3ft	146 fc	2.0 ft	2.0 ft
Distribution	35°	0-40°	635.61	87.70		5.0ft	63.7 fc	3.0 ft	3.0 ft
CBCP	1590	0-60°	673.25	92.90		6.7ft	35.5 fc	4.1 ft	4.0 ft
		0-80°	687.90	94.90		8.3ft	23.1 fc	5.0 ft	5.0 ft
		0-90°	693.33	95.60	10.0ft	15.9 fc	6.1 ft	6.0 ft	
						■ Vert. Spread: 33.7° ■ Horiz. Spread: 33.4°			

PART NUMBER		ZONAL LUMEN SUMMARY			POLAR LUMINOUS INTENSITY	CONE DISTRIBUTION			
AE-TL-CDM-12HVP30X1XX		Zone	Lumens	% Fixture	Direct Light	Center Beam Fc	Beam Width		
Wattage	10W	0-20°	275.21	39.2		1.7ft	290 fc	1.7 ft	1.7 ft
CCT	3000K	0-30°	483.84	68.9		3.3ft	77.1 fc	3.3 ft	3.3 ft
Distribution	55°	0-40°	596.92	85		5.0ft	33.6 fc	5.0 ft	4.9 ft
CBCP	840	0-60°	643.9	91.7		6.7ft	18.7 fc	6.8 ft	6.6 ft
		0-80°	661.24	94.2		8.3ft	12.2 fc	8.4 ft	8.2 ft
		0-90°	667.24	95	10.0ft	8.39 fc	10.1 ft	9.9 ft	
						■ Vert. Spread: 53.5° ■ Horiz. Spread: 52.6°			

#### OVERVIEW



#### Innovative Design

- Die-cast aluminum housing for better heat dissipation.
- Baffle reflector for minimizing glare.
- Improved design extends LED and driver lifespan.



#### Multiple Options

- 25°, 35° or 55° beam angle
- Two CCTs available.
- Red & Magenta led colors available
- Black, white, and silver finishes.



#### Mountings Available

- Choose from any of the popular track systems such as Juno, Halo or Lightolier.
- Surface mount with either monopoint or duopoint adapters.



#### Tests And Certifications

