

KINETA MAX

LED COMMERCIAL DOWNLIGHT

RECESSED DOWNLIGHT



eralux®



The KINETA Max LED downlight are the ideal recessed downlight for any retrofit or new construction project. The spring-action housing clips facilitate the installation process. The KINETA MAX separates itself from competitor downlights by having a super modular design with round and square, adjustable and fixed options. Replacing LED modules, mounting rings, beam lens and reflectors with no need for tools.

DATE

PROJECT
NAME

TYPE

QTY

ORDERING
CODE

AE-DL-KN-5 - - - -UV - - -X - - -

OPERATING & ELECTRICAL

INPUT VOLTAGE 120-277 Vac

POWER FACTOR >0.9

TOTAL HARMONIC DISTORTION (THD) <20%

PERFORMANCE

LUMENS PER WATT 80 LPW at 90CRI

BEAM ANGLE 15°, 24°, 38°, 55°

DIMMING 0-10V external dimming
(Dim down to 10%)
Triac Dual dimming

MECHANICAL & HOUSING

HOUSING Brushed metal

LENS PMMA and high transmittance lens

FINISH Brushed metal providing an elegant finish

POWER SUPPLY Factory wired electronic LED driver

LED BOARD COB

SPRING Stainless steel spring-action clips

APPLICATION CONDITION

AMBIENT TEMPERATURE RANGE -10 °C to 40°C

PROTECTION IP20/IP44

COMPATIBLE MOUNTING

MOUNTING Recessed

WARRANTY

SYSTEM WARRANTY – 5 YEARS

Eralux will warrant defective drivers, LEDs and boards for 5 years from the date of purchase. This warranty is valid only if the fixture is installed and used as per installation guides and specifications. If a defect is present, Eralux will send drivers and boards at no fee with a thorough replacement instructions along with instructions on the return of the defective parts back to Eralux.

LUMEN MAINTENANCE – L70 at 50,000 hours

Rated for 70% initial lumen output at 50,000 hours of operation, operated at 25°C ambient temperature; per guidelines published by the Illuminating Engineering Society (IES).

KINETA MAX

LED COMMERCIAL DOWNLIGHT
RECESSED DOWNLIGHT

DATE	
PROJECT NAME	
TYPE	
QTY	
ORDERING CODE	AE-DL-KN-5 - - -UV - -X - - -

ORDERING GUIDE

EXAMPLE: AE-DL-KN-5-RA1BK-UV-35W-X-30-15

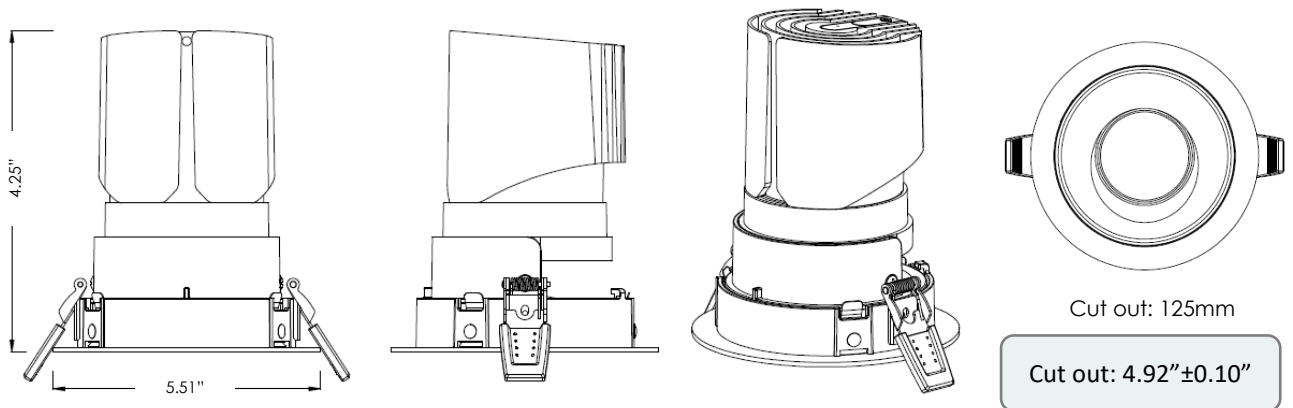
FIXTURE FAMILY	SIZE	REFLECTOR	REFLECTORS FINISH	VOLTAGE	POWER	CONTROLS	CCT	BEAM	TRIM
AE-DL-KN	-5	-		-UV	-	-X	-	-	-
AE-DL-KN ERALUX KINETA Series recessed downlight	-5 5 inches	-RA1* Round	BK Black	-UV 120-277 V	-30W 30 watts; 2,605 lumens	-X 0-10V external dimming & Triac Dual dimming	-27 2700K CCT	-15 15° Beam angle	-WHT White Trim
			WH White				-30 3000K CCT	-24 24° Beam angle	-BKT Black Trim
		-SA1* Square Adjustable	SP Specular bright silver		-35 3500K CCT		-38 38° Beam angle	-BK-TL** Black Trimless Finish	
		-RF1 Round Fixed	DF Diffused matt silver		-40 4000K CCT		-55 55° Beam angle	-WH-TL** White Trimless Finish	

*Maximum tilt angle is 30° for adjustable reflectors.

**Trimless Finish only available in Round and Round Fixed.

PRODUCT DIMENSIONS

AE-DL-KN-5-RA1XX-UV-30W-X-XX-XX

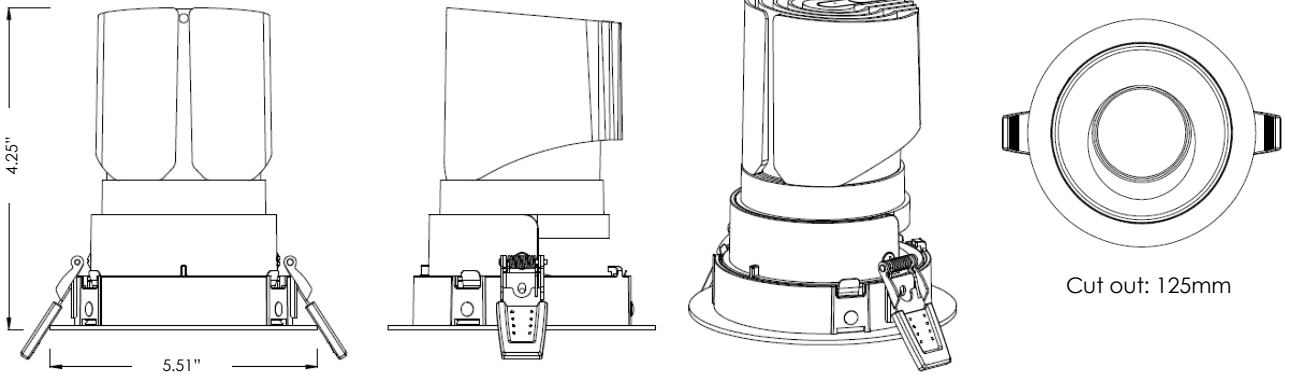


KINETA MAX

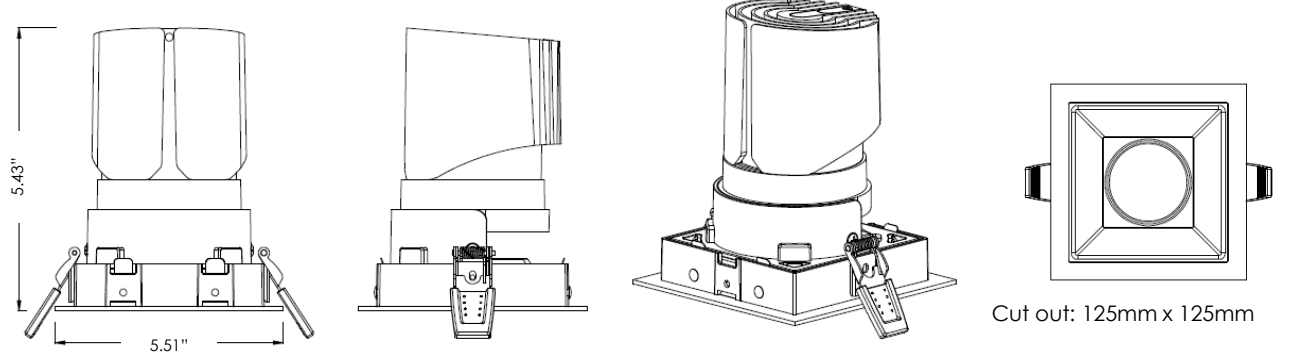
LED COMMERCIAL DOWNLIGHT
RECESSED DOWNLIGHT

DATE	
PROJECT NAME	
TYPE	
QTY	
ORDERING CODE	AE-DL-KN-5 - - -UV - -X - - -

AE-DL-KN-5-RF1XX-UV-30W-X-XX-XX

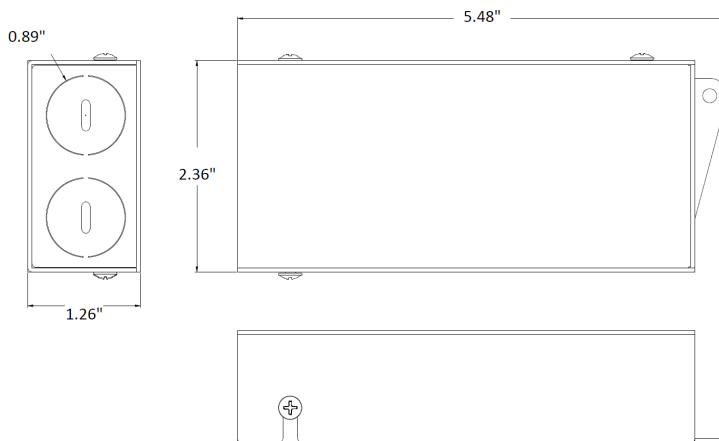


AE-DL-KN-5-SA1XX-UV-30W-X-XX-XX



DIMENSIONS

Accompanied Junction Box



KINETA MAX

LED COMMERCIAL DOWNLIGHT
RECESSED DOWNLIGHT

DATE	
PROJECT NAME	
TYPE	
QTY	
ORDERING CODE	AE-DL-KN-5 - - -UV - -X - - -

ACCESSORIES

Ordered separately, field installed

NEW CONSTRUCTION UNIVERSAL FRAME KIT

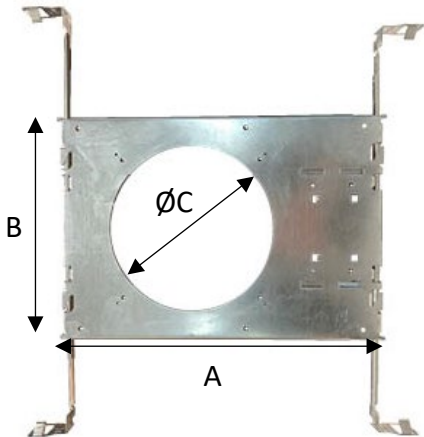


MATERIAL 22-gauge galvanized steel housing

MOUNTING T-bar or drywall ceilings
Up to 1.5" thick

Ordering Code AE-DL-FRKT-05-UNV (round)
AE-DL-FRKT-UNA-05-UNV (square)

FRAME KIT DIMENSIONS



DIMENSIONS

	A	
4" Round	A	12.75" [324 mm]
	B	8.63" [219 mm]
	C	Ø 4.50" [114 mm]
5" Round	A	12.75" [324 mm]
	B	8.63" [219 mm]
	C	Ø 5.57" [114 mm]
6" Round	A	12.75" [324mm]
	B	8.63" [219 mm]
	C	Ø 6.37" [162 mm]
8" Round	A	12.75" [324mm]
	B	8.63" [219 mm]
	C	Ø 7.25" [184 mm]

DATE	
PROJECT NAME	
TYPE	
QTY	
ORDERING CODE	AE-DL-KN-5 - - -UV - -X - - -

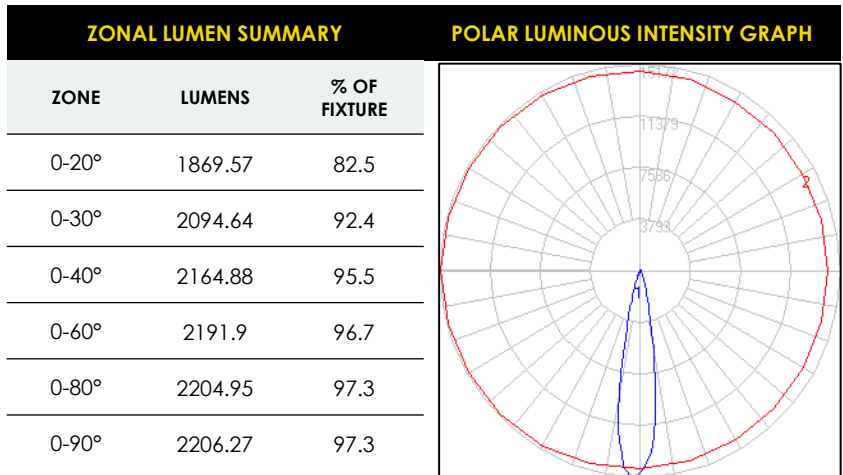
LUMEN ESTIMATE

Lumen output varies based on CCT and CRI. An estimate of lumen output of the various CCT/CRI combinations, use correction factors as per table below:

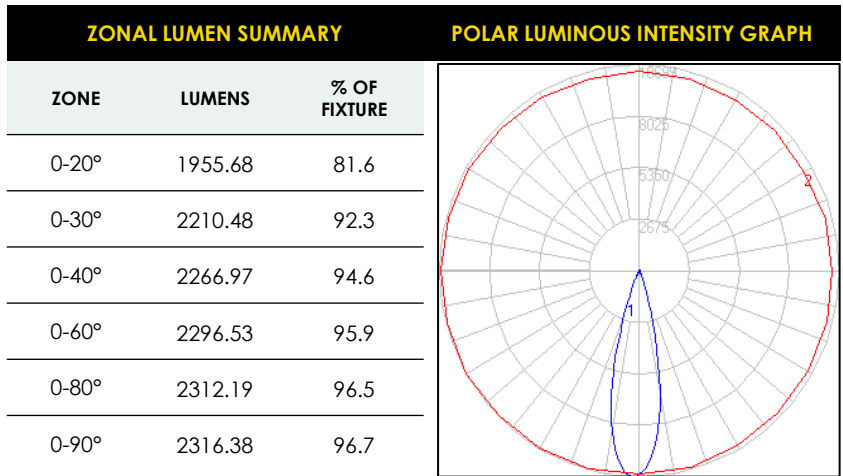
LUMEN ESTIMATE ADJUSTMENT FACTORS				
CCT	2700K	3000K	3500K	4000K
NORMAL (90CRI)	.95	1.03	1.05	1.02

PHOTOMETRIC DATA

AE-DL-KN-5-RA1BK-UV-30W-X-30-15
Round Adjustable
15° Beam Angle



AE-DL-KN-4-RA1XX-UV-25W-X-30-24
Round Adjustable
24° Beam Angle



KINETA MAX

LED COMMERCIAL DOWNLIGHT
RECESSED DOWNLIGHT

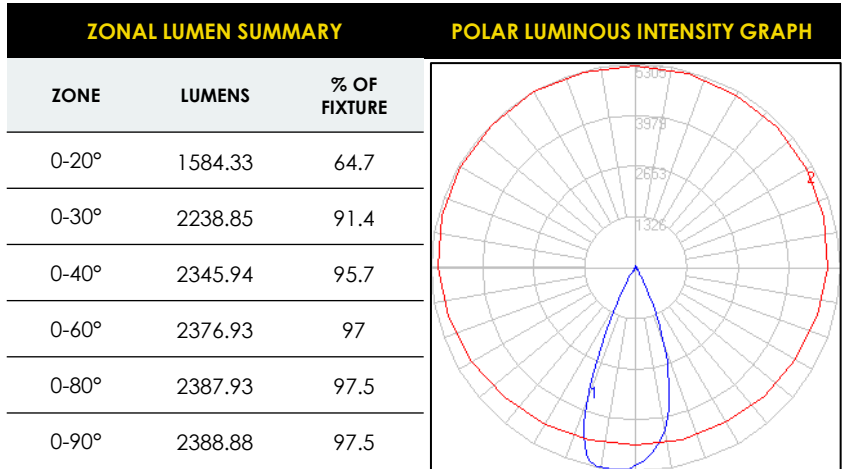
DATE	
PROJECT NAME	
TYPE	
QTY	
ORDERING CODE	AE-DL-KN-5 - - -UV - -X - - -

PHOTOMETRIC DATA

AE-DL-KN-4-RA1XX-UV-W-X-30-38

Round Adjustable

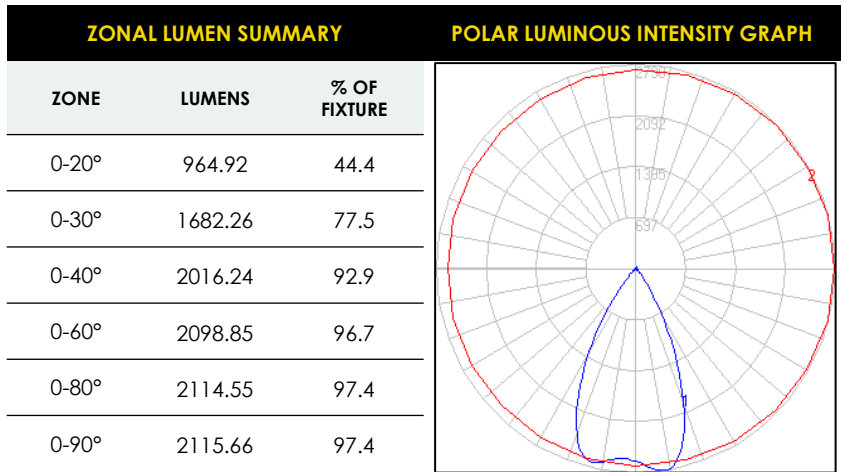
38° Beam Angle



AE-DL-KN-4-RA1XX-UV-25W-X-30-55

Round Adjustable

55° Beam Angle

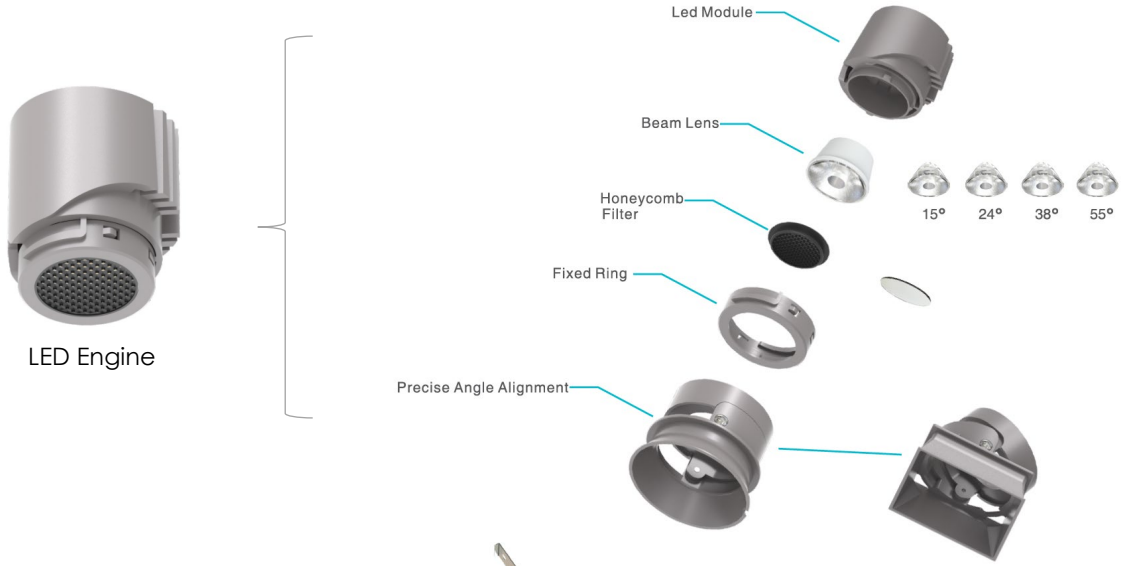


KINETA MAX

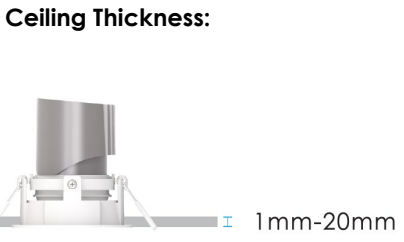
LED COMMERCIAL DOWNLIGHT
RECESSED DOWNLIGHT

DATE	
PROJECT NAME	
TYPE	
QTY	
ORDERING CODE	AE-DL-KN-5 - - -UV - -X - - -

PRODUCT ASSEMBLY GUIDE



Reflector Options: Diffuse matt silver Black Specular bright silver



KINETA MAX

LED COMMERCIAL DOWNLIGHT
RECESSED DOWNLIGHT

DATE	
PROJECT NAME	
TYPE	
QTY	
ORDERING CODE	AE-DL-KN-5 - - -UV - -X - - -

OVERVIEW



SUPER MODULAR DESIGN

Unique super modular design making the assemble and disassemble process toolless and effortless. Lens changing and trim changing can be easily done in just one minute.

FLEXIBLE HEADS

One engine module fits for both fixed and adjustable heads, in both round and square shapes, making KINETA MAX fit for any kinds of projects and customizable space lighting.

VARIOUS REFLECTORS

Reflectors are available in specular, diffuse and charcoal black. They could fulfill all your needs to create a desirable lighting effect.

HIGH-END FIXTURE

Radial engine shape conveniences wire arrangement and reduces engine weight without sacrificing aesthetics.



LED Module

+



Mounting Ring

=



Luminaire