

# KINETA MAX

## LED COMMERCIAL DOWNLIGHT

### Recessed Downlight | 5" Round & Square

The KINETA MAX is a 5-inch recessed downlight offering a range of optical options: round or square, adjustable or fixed, with or without trim. A variety of reflectors and trim finishes makes it an attractive addition. It is available in two power options (30 W – 2605 lm and 35 W – 3040 lm) and offers a dual-dimming option and multiple CCTs.

Applications: Art Galleries | Show Rooms | Retail Stores | Hospitality | Office.

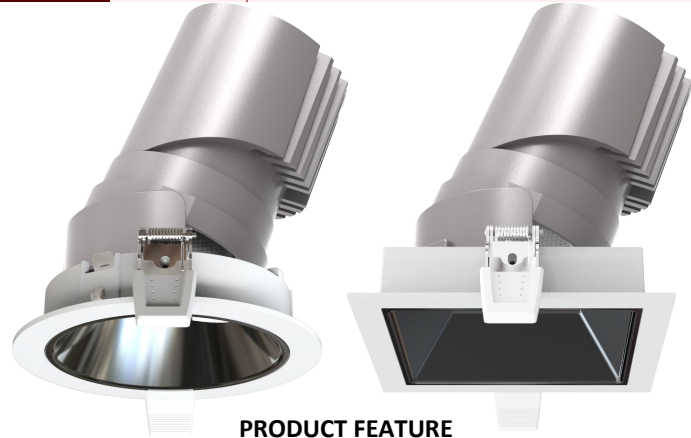
	DATE	QTY	ACC. QTY	TYPE
PROJECT				
PN				
ACCESSORY PN				
NOTES				

DYNAMIC MENU	
Order Information	<a href="#">Page 2</a>
Dimensions	<a href="#">Page 3</a>
Accessories	<a href="#">Page 5</a>
Photometric Data	<a href="#">Page 8</a>

[Install Instruction link](#)

### SPECIFICATIONS

Input Voltage	120-277V
Power Factor	>0.9
Total Harmonic Distortion	<20%
Dimming <a href="#">Page 7</a>	TRIAC & 0-10V dimming (down 10%)
CRI	90 CRI
CCT	<div style="display: flex; gap: 10px;"> <div style="background-color: #fff9c4; border-radius: 50%; width: 20px; height: 20px; display: flex; align-items: center; justify-content: center;">27K</div> <div style="background-color: #fff176; border-radius: 50%; width: 20px; height: 20px; display: flex; align-items: center; justify-content: center;">30K</div> <div style="background-color: #fff9c4; border-radius: 50%; width: 20px; height: 20px; display: flex; align-items: center; justify-content: center;">35K</div> <div style="background-color: #e1bee7; border-radius: 50%; width: 20px; height: 20px; display: flex; align-items: center; justify-content: center;">40K</div> </div>
Efficacy	~80 lm/W
Size and Power	5 inch   30 - 35 W
Ambient Temperature Range	-20°C to 40°C
Mounting Options	New construction   Retrofit
Reflector Finish	
Trim Shape	Trim <div style="display: flex; gap: 10px;"> </div>
	Trimless <div style="display: flex; gap: 10px;"> </div>
Trim Finish	
Optical Accessories	Honeycomb louver   Soft lens
Distribution	<div style="display: flex; gap: 10px;"> <div style="text-align: center;"> <p>21°</p> </div> <div style="text-align: center;"> <p>24°</p> </div> <div style="text-align: center;"> <p>38°</p> </div> <div style="text-align: center;"> <p>55°</p> </div> </div>



### PRODUCT FEATURE



### PRODUCT CERTIFICATIONS



### SYSTEM WARRANTY – 5 YEARS

Eralux will warrant defective drivers, LEDs and boards for 5 years from the date of purchase. This warranty is valid only if the fixture is installed and used as per installation guides and specifications. If a defect is present, Eralux will send drivers and boards at no fee with a thorough replacement instructions along with instructions on the return of the defective parts back to Eralux.

### LUMEN MAINTENANCE – L70 at 60,000 hours

Rated for 70% initial lumen output at 60,000 hours of operation, operated at 25°C ambient temperature; per guidelines published by the Illuminating Engineering Society (IES).

## LED COMMERCIAL DOWNLIGHT

Recessed Downlight | 5" Round & Square



### ORDERING GUIDE

<b>AE-DL-KN-5</b>			<b>-UV</b>		<b>-X</b>			
<b>AE-DL-KN-5</b> ERALUX KINETA MAX Recessed Downlight 5-inch IP20	<b>-RA1</b> Round Adjustable <b>-RF1</b> Round Fixed <b>-SA1<sup>1</sup></b> Square Adjustable	<b>BK</b> Black <b>WH</b> White <b>SP</b> Specular Bright Silver <b>DF</b> Diffused Matte Silver	<b>-UV</b> 120-277V Input	<b>-30W</b> 30W   2605 lm <b>-35W</b> 35W   3040 lm	<b>-X</b> Dual-Dimming 0-10V & TRIAC	<b>-27</b> 2700K <b>-30</b> 3000K <b>-35</b> 3500K <b>-40</b> 4000K	<b>-15</b> Narrow Flood 15° <b>-24</b> Flood 24° <b>-38</b> Wide Flood 38° <b>-55</b> Very Wide Flood 55°	<b>-WHT</b> White <b>-BKT</b> Black <b>-BKT-TL<sup>1</sup></b> Black Trimless <b>-WHT-TL<sup>1</sup></b> White Trimless
<b>Fixture Family</b>	<b>Reflector   Finish</b>		<b>Voltage</b>	<b>Power</b>	<b>Dimming</b>	<b>CCT</b>	<b>Distribution</b>	<b>Trim</b>

1. Trimless only available for Round and Round Fixed.



### ORDERING GUIDE – ACCESSORIES | IP

<b>AE-DL-KN</b> ERALUX KINETA MAX	<b>-5</b> 5 Inch	<b>-COMB</b> Honeycomb louver <b>-SOFTLENS</b>

<b>[BLANK]</b> Standard IP20 <b>AE-DL-KN-5-IP44-KIT</b> IP44

<b>Fixture Family</b>	<b>Size</b>	<b>Type</b>
-----------------------	-------------	-------------

<b>IP Rating</b>
------------------



### ORDERING GUIDE – FRAME KIT | EMBB

<b>AE-DL-FRKT</b> ERALUX FRAME KITS Downlights	<b>[BLANK]</b> Round frame	<b>-05</b> 5 Inches	<b>-UNV<sup>1</sup></b>

<b>[BLANK]</b> No EMBB <b>BLD-HM8D-YYY</b> 8W Emergency Battery Backup

<b>Fixture Family</b>	<b>Shape</b>	<b>Size</b>	<b>Type</b>
-----------------------	--------------	-------------	-------------

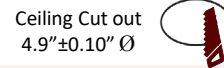
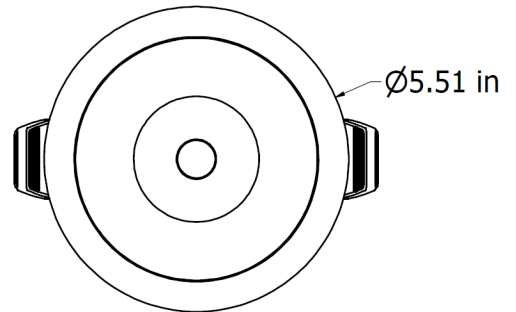
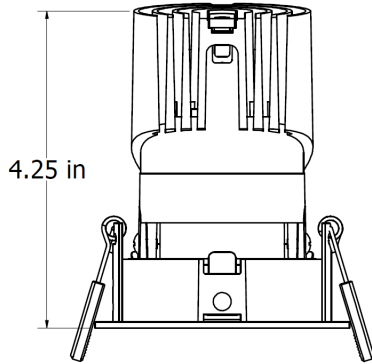
<b>EMBB</b>
-------------

1. Junction Box is not included. KINETA SERIES comes with a junction box by default.

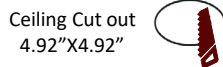
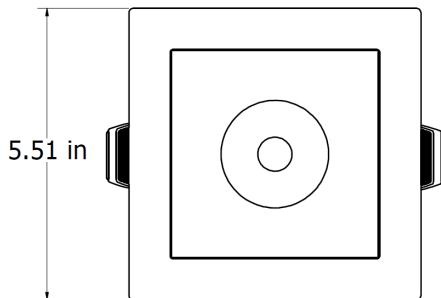
#### DIMENSIONS

#### AE-DL-KN-5

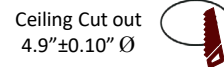
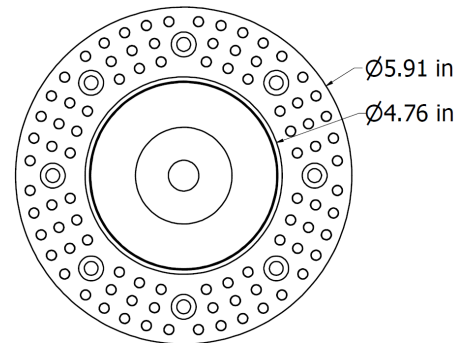
##### Round Trim



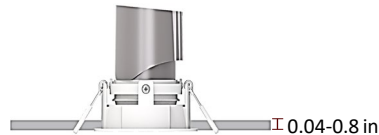
##### Square Trim



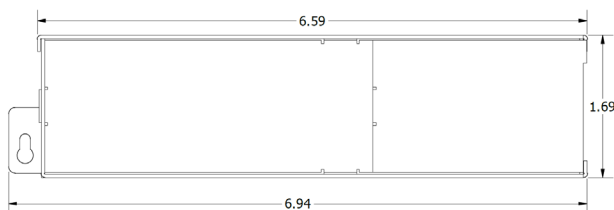
##### Round Trimless



##### Ceiling Thickness



##### Driver



## LED COMMERCIAL DOWNLIGHT

Recessed Downlight | 5" Round & Square

### REFLECTOR

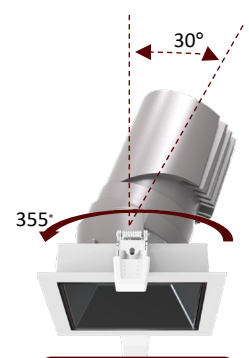
- Rotation up to 355°
- Tilt 30° ( RA1 – SA1)



**ROUND  
ADJUSTABLE**



**ROUND  
FIX**



**SQUARE  
ADJUSTABLE**

### FINISH

SHAPE	WHITE	BRIGHT SILVER	DIFFUSED SILVER	BLACK
ROUND ADJUSTABLE (RA1)				
ROUND FIX (RF1)				
SQUARE ADJUSTABLE (SA1)				
DESCRIPTION	Maximizes and diffuses light, providing soft and even illumination.	Directs light precisely, producing sharp highlights and enhancing brightness.	Evenly scatters light, creating a soft, balanced illumination with reduced glare.	Absorbs light, creating a focused and dramatic effect with minimized glare.

## LED COMMERCIAL DOWNLIGHT

Recessed Downlight | 5" Round & Square

### TRIM

		SHAPE	
FINISH	ROUND	SQUARE	
WHITE (-WHT)			
Black (-BKT)			
WHITE TRIMLESS (-WH-TL)			
Black TRIMLESS (-BK-TL)			

### OPTICAL ACCESSORIES

ORDERING CODE	DESCRIPTION	LIGHT GLARE	PICTURE
AE-DL-KN-5-COMB	Honeycomb louver Reduce the glare of the light source and luminaire		
AE-DL-KN-5-SOFTLENS	Softening Glass lens		

## LED COMMERCIAL DOWNLIGHT

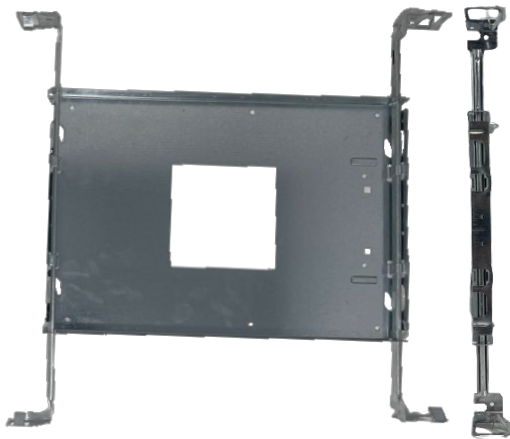
Recessed Downlight | 5" Round & Square

### MOUNTING ACCESSORIES

Ordered separately, field installed.

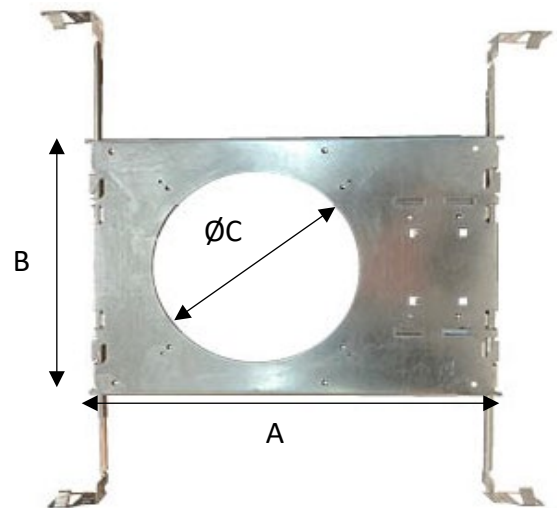
### NEW CONSTRUCTION UNIVERSAL FRAME KIT

SPECIFICATIONS	
MATERIAL	22-gauge galvanized steel housing
MOUNTING	T Grid Ceiling
	Gypsum Ceiling
	Maximum Thickness ~1.5"
LENGTH (A)	12.75"
WIDTH (B)	8.63"



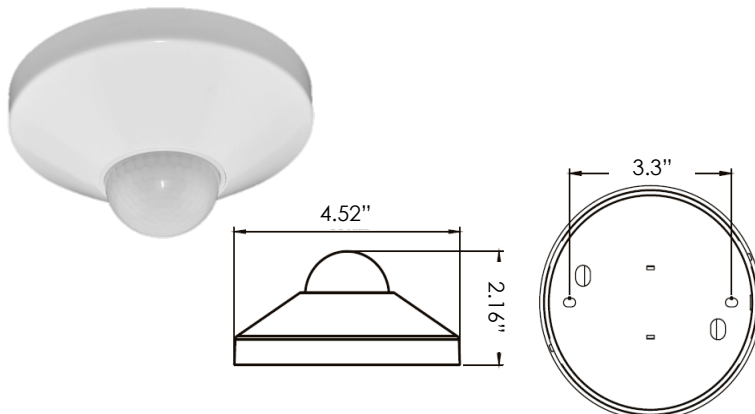
OPENING SIZE			
ORDERING CODE	SIZE	SHAPE	C

AE-DL-FRKT-05-UNV	5"	Round	5.50" Ø
-------------------	----	-------	---------



### ROOM OCCUPANCY SENSOR

PART NUMBER	DESCRIPTION
AE-CT-DT806	Detecta - Room Occupancy Sensor
RC102	RC102 Remote Control



SPECIFICATIONS	
Input Voltage	120-277 Vac
Power Frequency	50/60HZ
Rated Load	At 120 Vac 800W
	At 277 Vac 1200W
Detection Range	3-10 Meters
	9.8- 32.8 Feet
Standby Power	~0.9W
Time Setting	10 sec to 30 min
Light Control	10-2,000LUX
Installation	Ceiling Mounted

## LED COMMERCIAL DOWNLIGHT

Recessed Downlight | 5" Round & Square

### CONTROLS

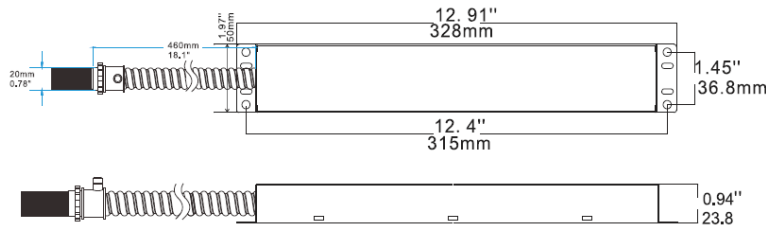
Ordered separately, field installed

### EMERGENCY LED DRIVER (BLD-HMXXD-YYY)

BLD-HM8D-YYY



The BLD-HMXXD-YYY series LED Emergency Driver is UL listed for field and factory installations. It switches to emergency mode during power failures, providing up to 90 minutes of lighting. With an integrated battery, charger, and converter, it delivers 6-25W constant power at 170VDC. Ideal for 0-10V dimmable indoor commercial LED fixtures, such as flat panels, troffers, downlights, and linear strip lights.



SPECIFICATIONS	
Input Voltage	100-347 Vac
Power Frequency	50/60HZ
Input Power	8W max
Output Voltage	170V Dc
Output Power	8W
Ambient Temperature	0°C to 50°C
	30°F to 122°F
Installation	Remote

### DIMMER COMPATIBILITY LIST

Brand	Model	Dim Depth To	DIM
LEVITON	IPM10	OFF	TRIAC
	6674	OFF	TRIAC
	AWSMT-EB	OFF	TRIAC
LUTRON	DVCL-153P	2%	TRIAC
	NTLV-603P	1%	TRIAC
	GT-250M	1%	TRIAC
	MACL-153M	1%	TRIAC
	PD-6WCL	1%	TRIAC
	DSL06	2%	TRIAC
	DV-600P	1%	TRIAC
	RRD-10ND	2%	TRIAC
	NTELV-300	1%	ELV
	SELV-300P	1%	ELV

## LED COMMERCIAL DOWNLIGHT

Recessed Downlight | 5" Round & Square

### LUMEN ESTIMATE

Lumen output varies based on CCT and CRI. Use correction factors as per table below:

#### LUMEN ESTIMATE ADJUSTMENT FACTORS

CCT	2700K	3000K	3500K	4000K
PREMIUM (90CRI)	0.95	1.03	1.05	1.02

### PHOTOMETRIC DATA

PART NUMBER		ZONAL LUMEN SUMMARY			POLAR LUMINOUS INTENSITY	CONE DISTRIBUTION			
AE-DL-KN-5		Zone	Lumens	% Fixture	Direct Light	Center Beam Fc	Beam Width		
Wattage	35W	0-20°	2044.95	82.6		2.5ft	2498 fc	0.9 ft	0.9 ft
CCT	3000K	0-30°	2293.44	92.7		5.0ft	625 fc	1.8 ft	1.7 ft
Distribution	15°	0-40°	2365.08	95.6		7.5ft	278 fc	2.7 ft	2.6 ft
SIZE	5"	0-60°	2394.8	96.8		10.0ft	156 fc	3.5 ft	3.5 ft
		0-80°	2406.23	97.2		12.5ft	99.9 fc	4.4 ft	4.4 ft
		0-90°	2408.06	97.3		15.0ft	69.4 fc	5.3 ft	5.2 ft
						■ Vert. Spread: 20.1° ■ Horiz. Spread: 19.8°			

PART NUMBER		ZONAL LUMEN SUMMARY			POLAR LUMINOUS INTENSITY	CONE DISTRIBUTION			
AE-DL-KN-5		Zone	Lumens	% Fixture	Direct Light	Center Beam Fc	Beam Width		
Wattage	35W	0-20°	2181.5	82.8		2.5ft	1886 fc	1.2 ft	1.2 ft
CCT	3000K	0-30°	2464.55	93.5		5.0ft	472 fc	2.4 ft	2.3 ft
Distribution	24°	0-40°	2526	95.8		7.5ft	210 fc	3.6 ft	3.5 ft
SIZE	5"	0-60°	2555.05	96.9		10.0ft	118 fc	4.7 ft	4.6 ft
		0-80°	2566.99	97.4		12.5ft	75.4 fc	5.9 ft	5.8 ft
		0-90°	2568.12	97.4		15.0ft	52.4 fc	7.1 ft	7.0 ft
						■ Vert. Spread: 26.6° ■ Horiz. Spread: 26.1°			

PART NUMBER		ZONAL LUMEN SUMMARY			POLAR LUMINOUS INTENSITY	CONE DISTRIBUTION			
AE-DL-KN-5		Zone	Lumens	% Fixture	Direct Light	Center Beam Fc	Beam Width		
Wattage	35W	0-20°	1753.4	64.5		2.5ft	909 fc	1.8 ft	1.9 ft
CCT	3000K	0-30°	2484.51	91.4		5.0ft	227 fc	3.6 ft	3.7 ft
Distribution	38°	0-40°	2603.62	95.8		7.5ft	101 fc	5.4 ft	5.6 ft
SIZE	5"	0-60°	2638.79	97		10.0ft	56.8 fc	7.2 ft	7.4 ft
		0-80°	2649.87	97.5		12.5ft	36.4 fc	9.0 ft	9.3 ft
		0-90°	2650.9	97.5		15.0ft	25.3 fc	10.8 ft	11.1 ft
						■ Vert. Spread: 39.5° ■ Horiz. Spread: 40.7°			

PART NUMBER		ZONAL LUMEN SUMMARY			POLAR LUMINOUS INTENSITY	CONE DISTRIBUTION			
AE-DL-KN-5		Zone	Lumens	% Fixture	Direct Light	Center Beam Fc	Beam Width		
Wattage	35W	0-20°	1090.45	44.5		2.5ft	473 fc	2.5 ft	2.3 ft
CCT	3000K	0-30°	1903.5	77.7		5.0ft	118 fc	5.1 ft	4.6 ft
Distribution	55°	0-40°	2279.07	93		7.5ft	52.6 fc	7.6 ft	7.0 ft
SIZE	5"	0-60°	2369.11	96.7		10.0ft	29.6 fc	10.1 ft	9.3 ft
		0-80°	2387.48	97.4		12.5ft	18.9 fc	12.7 ft	11.6 ft
		0-90°	2388.71	97.5		15.0ft	13.1 fc	15.2 ft	13.9 ft
						■ Vert. Spread: 53.7° ■ Horiz. Spread: 49.9°			

## LED COMMERCIAL DOWNLIGHT

Recessed Downlight | 5" Round & Square

### OVERVIEW

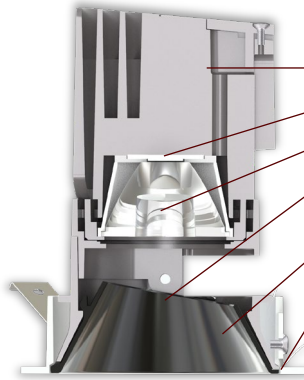


### Innovative Design

- Brushed metal housing.
- Improved design extends LED and driver lifespan.
- Stainless steel spring-action clips



### Multiple Options



- Two powers 30W and 35W.
- Four CCT options.
- Variety of beam angles.
- Adjustable round/square, Fixed round reflector.
- Multiple reflector finishes.
- Round Black / white trim and trimless options.



### Accessories

- Honeycomb louvers and soft lens.
- New construction frame kit.
- Emergency back up battery.



### Tests And Certifications



Optional

Emergency backup battery

