

KINETA SERIES



LED COMMERCIAL DOWNLIGHT

Recessed Downlight | 2", 3", 4" & 5" Round & Square

The KINETA Series recessed downlight available in multiple sizes (2", 3" and 4") offers a range of optical options and can be configured adjustable or fixed. Variety of reflectors and trim finishes available making it an attractive addition. It comes in either round or square shape, in addition to round trimless option. It is available in two power options ranging from 5 W – 332 lm to 35 W – 3040 lm and offers a dual dimming option and multiple CCTs Applications: Art Galleries | Show Rooms | Retail Stores | Hospitality | Office.

DATE	QTY	ACC. QTY	TYPE
PROJECT			
PN			
ACCESSORY PN			
NOTES			



DYNAMIC MENU

Order Information	Page 2
Dimensions	Page 5
Accessories	Page 10
Photometric Data	Page 13

[Install Instruction link](#)

SPECIFICATIONS

Input Voltage	120-277V
Power Factor	>0.9
Total Harmonic Distortion	<20%
Dimming Page 12	TRIAC & 0-10V dimming (down 10%)
CRI	90 CRI
CCT	<div style="display: flex; gap: 10px;"> <div style="background-color: #fff9c4; border-radius: 50%; width: 20px; height: 20px; display: flex; align-items: center; justify-content: center;">27K</div> <div style="background-color: #fff176; border-radius: 50%; width: 20px; height: 20px; display: flex; align-items: center; justify-content: center;">30K</div> <div style="background-color: #fff9c4; border-radius: 50%; width: 20px; height: 20px; display: flex; align-items: center; justify-content: center;">35K</div> <div style="background-color: #e1bee7; border-radius: 50%; width: 20px; height: 20px; display: flex; align-items: center; justify-content: center;">40K</div> </div>
Efficacy	~80 lm/W
Size and Power	2 in 5 W – 8 W 3 in 10 W – 15 W 4 in 20 W – 25 W 5 in 30 W – 35 W
Ambient Temperature Range	-20°C to 40°C
Mounting Options	New construction Retrofit
Reflector Finish	
Trim Shape	Trim Trimless
Trim Finish	
Optical Accessories	Honeycomb louver Soft lens
Distribution	



PRODUCT FEATURE



PRODUCT CERTIFICATIONS



SYSTEM WARRANTY – 5 YEARS

Eralux will warrant defective drivers, LEDs and boards for 5 years from the date of purchase. This warranty is valid only if the fixture is installed and used as per installation guides and specifications. If a defect is present, Eralux will send drivers and boards at no fee with a thorough replacement instructions along with instructions on the return of the defective parts back to Eralux.

LUMEN MAINTENANCE – L70 at 60,000 hours

Rated for 70% initial lumen output at 60,000 hours of operation, operated at 25°C ambient temperature; per guidelines published by the Illuminating Engineering Society (IES).

LED COMMERCIAL DOWNLIGHT

Recessed Downlight | 2", 3", 4" & 5" Round & Square



ORDERING GUIDE – KINETA NANO | 2"

AE-DL-KN-2			-UV		-X			
AE-DL-KN-2 ERALUX KINETA NANO Recessed downlight 2-inch IP20	-RA1 Round Adjustable -RF1 Round Fixed	BK Black WH White SP Specular Bright Silver DF Diffused Matte Silver	-UV 120-277V Input	-5W 5W 332 Lm -8W 8W 440 Lm	-X Dual Dimming 0-10V & TRIAC	-27 2700K -30 3000K -35 3500K -40 4000K	-15 Narrow Flood 15° -24 Flood 24° -38 Wide Flood 38° -55 Very Wide flood 55°	-WHT White -BKT Black -BK-TL Black Trimless -WH-TL White Trimless
Fixture Family	Reflector Finish		Voltage	Power	Dimming	CCT	Distribution	Trim



ORDERING GUIDE – KINETA MINI | 3"

AE-DL-KN-3			-UV		-X			
AE-DL-KN-3 ERALUX KINETA MINI Recessed downlight 3-inch IP20	-RA1 Round Adjustable -RF1 Round Fixed -SA1¹ Square Adjustable	BK Black WH White SP Specular Bright Silver DF Diffused Matt Silver	-UV 120-277V Input	-10W 10W 800 Lm -15W 15W 1100 Lm	-X Dual Dimming 0-10V & TRIAC	-27 2700K -30 3000K -35 3500K -40 4000K	-15 Narrow Flood 15° -24 Flood 24° -38 Wide Flood 38° -55 Very Wide flood 55°	-WHT White -BKT Black -BK-TL Black Trimless -WH-TL White Trimless
Fixture Family	Reflector Finish		Voltage	Power	Dimming	CCT	Distribution	Trim

1. Trimless only available for Round and Round Fixed.

LED COMMERCIAL DOWNLIGHT

Recessed Downlight | 2", 3", 4" & 5" Round & Square



ORDERING GUIDE – KINETA | 4"

AE-DL-KN-4			-UV		-X			
AE-DL-KN-4 ERALUX KINETA Recessed downlight 4-inch IP20	-RA1 Round Adjustable -RF1 Round Fixed -SA1¹ Square Adjustable	BK Black WH White SP Specular Bright Silver DF Diffused Matte Silver	-UV 120-277V Input	-20W 20W 1600 lm -25W 25W 2000 lm	-X Dual Dimming 0-10V & TRIAC	-27 2700K -30 3000K -35 3500K -40 4000K	-15 Narrow Flood 15° -24 Flood 24° -38 Wide Flood 38° -55 Very Wide flood 55°	-WHT White -BKT Black -BK-TL¹ Black Trimless -WH-TL¹ White Trimless
Fixture Family	Reflector Finish		Voltage	Power	Dimming	CCT	Distribution	Trim

1. Trimless only available in Round and Round Fixed



ORDERING GUIDE – KINETA MAX | 5"

AE-DL-KN-5			-UV		-X			
AE-DL-KN-5 ERALUX KINETA MAX Recessed Downlight 5-inch IP20	-RA1 Round Adjustable -RF1 Round Fixed -SA1¹ Square Adjustable	BK Black WH White SP Specular Bright Silver DF Diffused Matte Silver	-UV 120-277V Input	-30W 30W 2605 lm -35W 35W 3040 lm	-X Dual- Dimming 0-10V & TRIAC	-27 2700K -30 3000K -35 3500K -40 4000K	-15 Narrow Flood 15° -24 Flood 24° -38 Wide Flood 38° -55 Very Wide Flood 55°	-WHT White -BKT Black -BKT-TL¹ Black Trimless -WHT-TL¹ White Trimless
Fixture Family	Reflector Finish		Voltage	Power	Dimming	CCT	Distribution	Trim

1. Trimless only available for Round and Round Fixed.

LED COMMERCIAL DOWNLIGHT

Recessed Downlight | 2", 3", 4" & 5" Round & Square



ORDERING GUIDE – ACCESSORIES | IP



AE-DL-KN-3

ERALUX KINETA MINI | 3 inch

-COMB

Honeycomb louver

AE-DL-KN-4

ERALUX KINETA | 4 inch

-SOFTLENS

AE-DL-KN-5

ERALUX KINETA MAX | 5 inch



[BLANK]

Standard IP20

AE-DL-KN-3-IP44-KIT

ERALUX KINETA MINI | IP44

AE-DL-KN-4-IP44-KIT

ERALUX KINETA | IP44

AE-DL-KN-5-IP44-KIT

ERALUX KINETA MAX | IP44

Accessory Family ¹ | SIZE

TYPE

IP Rating ²

NOTES

1. Optical Accessories not available for the KINETA NANO - 2 inch
2. IP44 Rating not available for the KINETA NANO - 2 inch



ORDERING GUIDE – FRAME KIT | EMBB



AE-DL-FRKT

AE-DL-FRKT
ERALUX FRAME KITS
Downlights

[BLANK]

Round frame

-03

ERALUX KINETA MINI
3 inch

-UNV

-UNV ²

-UNA ¹

ERALUX KINETA MINI
Square frame

-04

ERALUX KINETA
4 inch

-SQ ¹

KINETA | KINETA MAX
Square frame

-05

ERALUX KINETA MAX
5 inch



[BLANK]

No EMBB

BLD-HM8D-YYY

8W emergency battery
backup

EMBB

Fixture Family

Shape

SIZE

TYPE

NOTES

1. Square frame kit not available for the KINETA NANO - 2 inch and the KINETA MAX - 5 inch
2. Junction Box is not included since KINETA SERIES comes with a junction box by default.

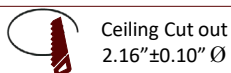
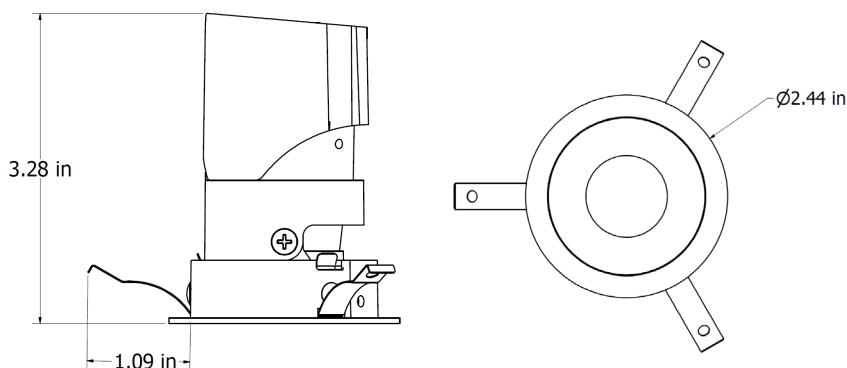
LED COMMERCIAL DOWNLIGHT

Recessed Downlight | 2", 3", 4" & 5" Round & Square

DIMENSIONS – KINETA NANO

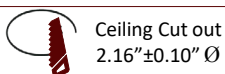
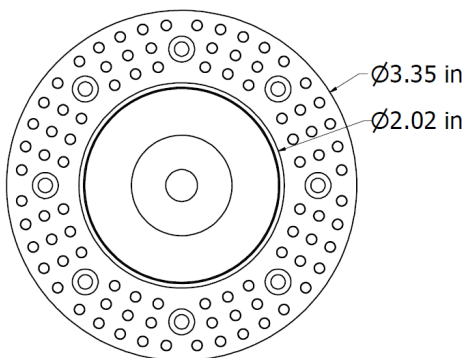
AE-DL-KN-2

Round Trim



Ceiling Cut out
2.16"±0.10" Ø

Round Trimless

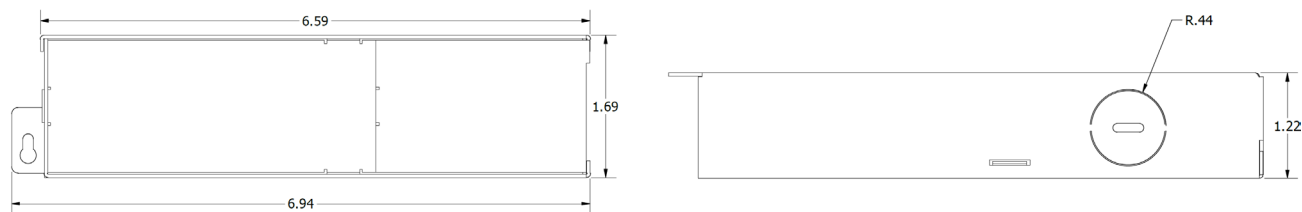


Ceiling Cut out
2.16"±0.10" Ø

Ceiling Thickness



Driver



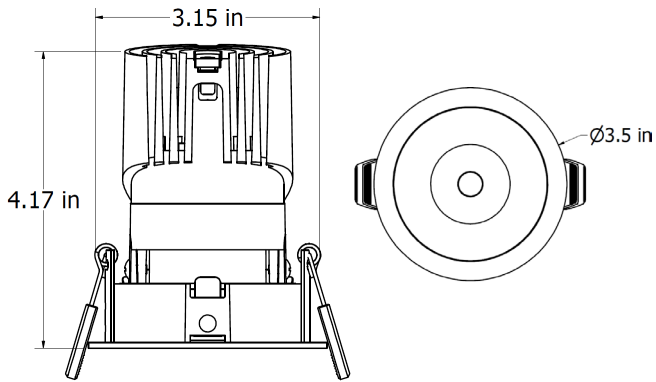
LED COMMERCIAL DOWNLIGHT

Recessed Downlight | 2", 3", 4" & 5" Round & Square

DIMENSIONS – KINETA MINI

AE-DL-KN-3

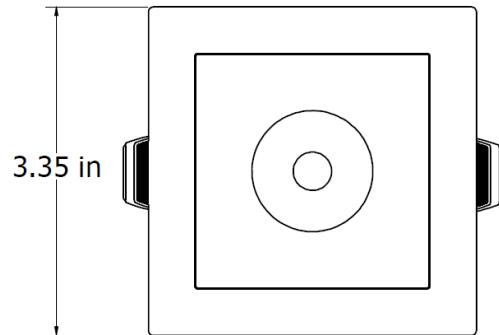
Round Trim



Ceiling Cut out
3.25"±0.10" Ø



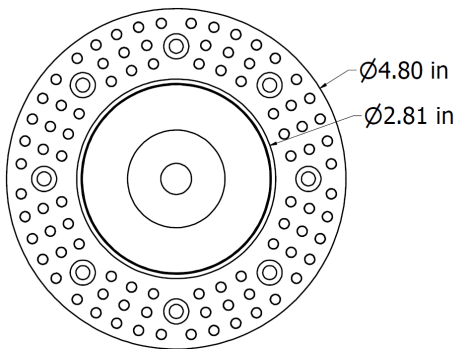
Square Trim



Ceiling Cut out
2.95"X2.95"



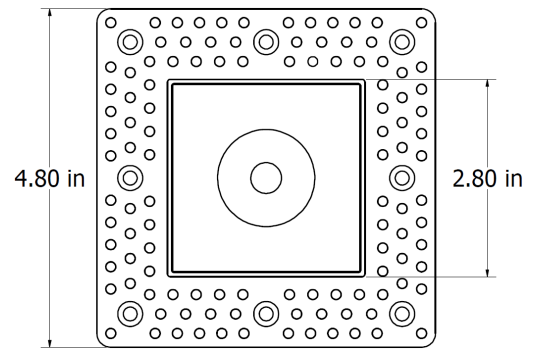
Round Trimless



Ceiling Cut out
3.25"±0.10" Ø



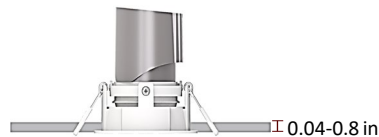
Square Trimless



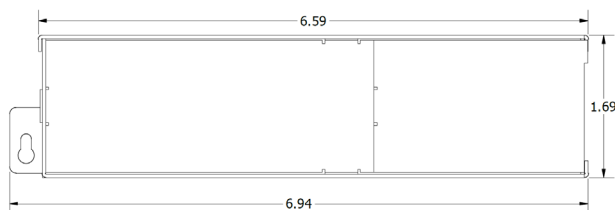
Ceiling Cut out
2.95"X2.95"



Ceiling Thickness



Driver



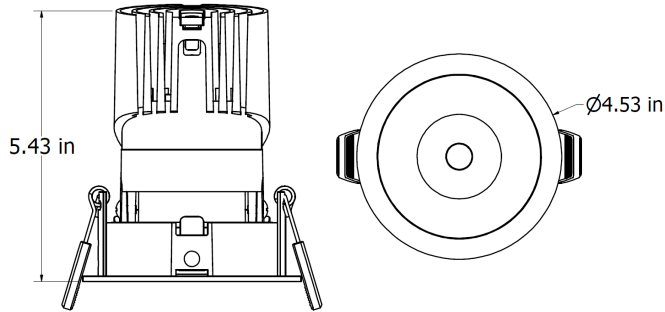
LED COMMERCIAL DOWNLIGHT

Recessed Downlight | 2", 3", 4" & 5" Round & Square

DIMENSIONS – KINETA

AE-DL-KN-4

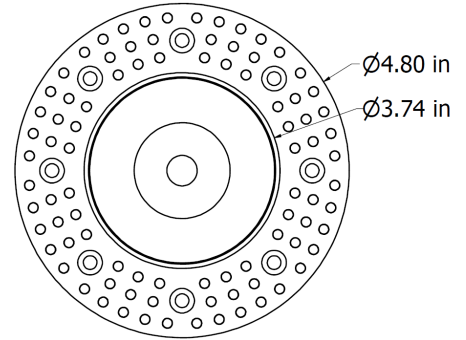
Round Trim



Ceiling Cut out
3.93"±0.10" Ø



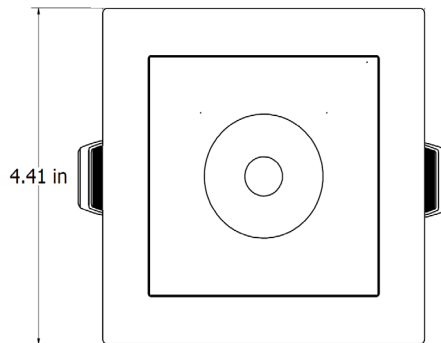
Round Trimless



Ceiling Cut out
3.93"±0.10" Ø



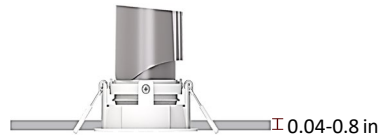
Square Trim



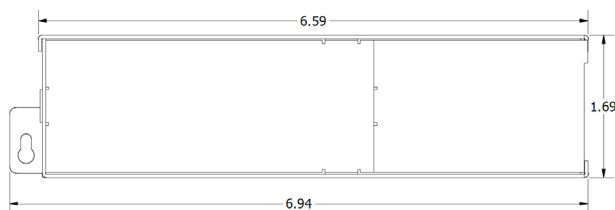
Ceiling Cut out
3.93"x3.93"



Ceiling Thickness



Driver



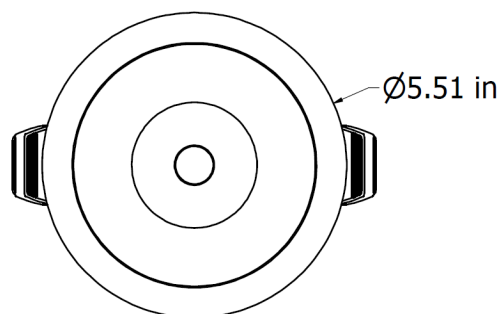
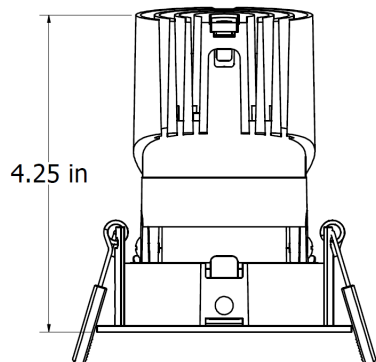
LED COMMERCIAL DOWNLIGHT

Recessed Downlight | 2", 3", 4" & 5" Round & Square

DIMENSIONS – KINETA MAX

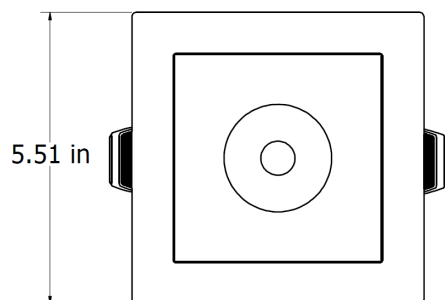
AE-DL-KN-5

Round Trim



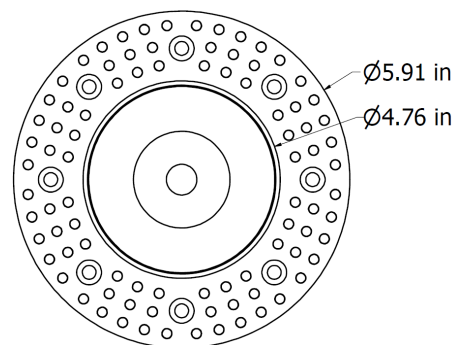
Ceiling Cut out
4.9"±0.10" Ø

Square Trim



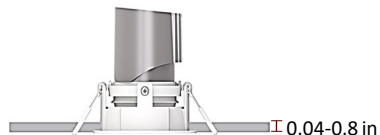
Ceiling Cut out
4.92"X4.92"

Round Trimless

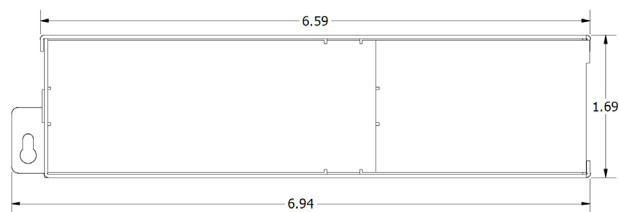


Ceiling Cut out
4.9"±0.10" Ø

Ceiling Thickness



Driver



LED COMMERCIAL DOWNLIGHT

Recessed Downlight | 2", 3", 4" & 5" Round & Square

REFLECTOR

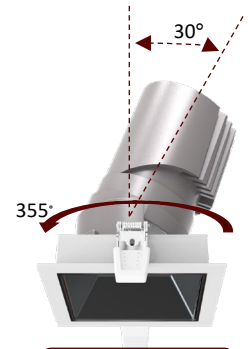
- Rotation up to 355°
- Tilt 30° (RA1 – SA1)



**ROUND
ADJUSTABLE**



**ROUND
FIX**



**SQUARE
ADJUSTABLE**

FINISH

SHAPE	WHITE	BRIGHT SILVER	DIFFUSED SILVER	BLACK
ROUND ADJUSTABLE (RA1)				
ROUND FIX (RF1)				
SQUARE ADJUSTABLE (SA1)				
DESCRIPTION	Maximizes and diffuses light, providing soft and even illumination.	Directs light precisely, producing sharp highlights and enhancing brightness.	Evenly scatters light, creating a soft, balanced illumination with reduced glare.	Absorbs light, creating a focused and dramatic effect with minimized glare.

LED COMMERCIAL DOWNLIGHT

Recessed Downlight | 2", 3", 4" & 5" Round & Square

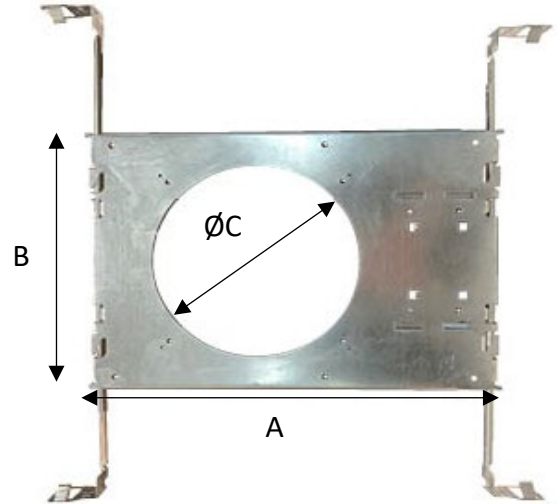
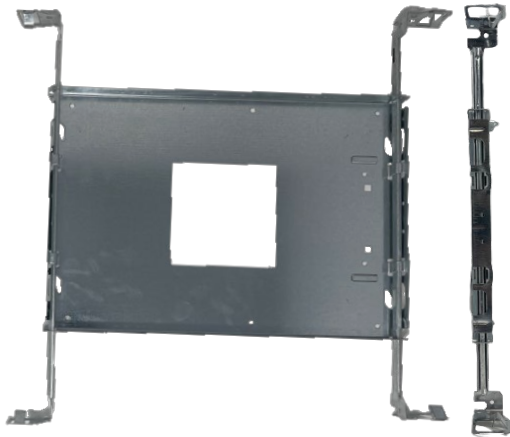
MOUNTING ACCESSORIES

Ordered separately, field installed.

NEW CONSTRUCTION UNIVERSAL FRAME KIT

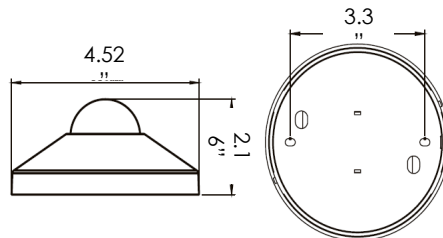
SPECIFICATIONS	
MATERIAL	22-gauge galvanized steel housing
MOUNTING	T Grid Ceiling
	Gypsum Ceiling
	Maximum Thickness ~1.5"
LENGTH (A)	12.75"
WIDTH (B)	8.63"

OPENING SIZE			
ORDERING CODE	SIZE	SHAPE	C
AE-DL-FRKT-03-UNV	3"	Round	2.95" Ø
AE-DL-FRKT-UNA-03-UNV		Square	3.15 x 3.15"
AE-DL-FRKT-04-UNV	4"	Round	4.50" Ø
AE-DL-FRKT-SQ-04-UNV		Square	4" x 4"
AE-DL-FRKT-05-UNV	5"	Round	5.50" Ø



ROOM OCCUPANCY SENSOR

PART NUMBER	DESCRIPTION
AE-CT-DT806	Detecta - Room Occupancy Sensor
RC102	RC102 Remote Control



SPECIFICATIONS	
Input Voltage	120-277 Vac
Power Frequency	50/60HZ
Rated Load	At 120 Vac 800W
	At 277 Vac 1200W
Detection Range	3-10 Meters
	9.8- 32.8 Feet
Standby Power	~0.9W
Time Setting	10 sec to 30 min
Light Control	10-2,000LUX
Installation	Ceiling Mounted

LED COMMERCIAL DOWNLIGHT

Recessed Downlight | 2", 3", 4" & 5" Round & Square

TRIM

		SHAPE	
FINISH	ROUND	SQUARE	
WHITE (-WHT)			
Black (-BKT)			
WHITE TRIMLESS (-WH-TL)			
Black TRIMLESS (-BK-TL)			

OPTICAL ACCESSORIES

ORDERING CODE	DESCRIPTION	LIGHT GLARE	PICTURE
AE-DL-KN-3-COMB	Honeycomb louver Reduce the glare of the light source and luminaire		
AE-DL-KN-3-SOFTLENS	Softening Glass lens		

LED COMMERCIAL DOWNLIGHT

Recessed Downlight | 2", 3", 4" & 5" Round & Square

CONTROLS

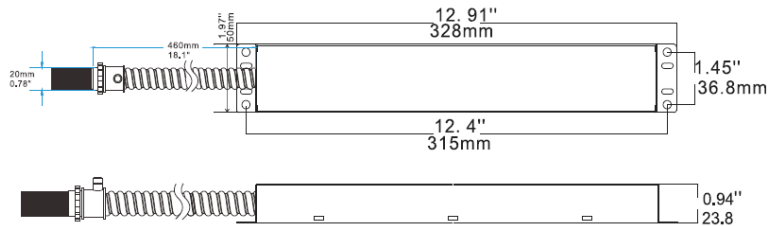
Ordered separately, field installed

EMERGENCY LED DRIVER (BLD-HMXXD-YYY)

BLD-HM8D-YYY



The BLD-HMXXD-YYY series LED Emergency Driver is UL listed for field and factory installations. It switches to emergency mode during power failures, providing up to 90 minutes of lighting. With an integrated battery, charger, and converter, it delivers 6-25W constant power at 170VDC. Ideal for 0-10V dimmable indoor commercial LED fixtures, such as flat panels, troffers, downlights, and linear strip lights.



SPECIFICATIONS	
Input Voltage	100-347 Vac
Power Frequency	50/60HZ
Input Power	8W max
Output Voltage	170V Dc
Output Power	8W
Ambient Temperature	0°C to 50°C
	30°F to 122°F
Installation	Remote

DIMMER COMPATIBILITY LIST

Brand	Model	Dim Depth To	DIM
LEVITON	IPM10	OFF	TRIAC
	6674	OFF	TRIAC
	AWSMT-EB	OFF	TRIAC
LUTRON	DVCL-153P	2%	TRIAC
	NTLV-603P	1%	TRIAC
	GT-250M	1%	TRIAC
	MACL-153M	1%	TRIAC
	PD-6WCL	1%	TRIAC
	DSL06	2%	TRIAC
	DV-600P	1%	TRIAC
	RRD-10ND	2%	TRIAC
	NTELV-300	1%	ELV
	SELV-300P	1%	ELV

LED COMMERCIAL DOWNLIGHT

Recessed Downlight | 2", 3", 4" & 5" Round & Square

LUMEN ESTIMATE – KINETA NANO

Lumen output varies based on CCT and CRI. An estimate of lumen output of the various CCT/CRI combinations, use correction factors as per table below:

LUMEN ESTIMATE ADJUSTMENT FACTORS

CCT	2700K	3000K	3500K	4000K
PREMIUM (90CRI)	0.80	0.86	0.93	0.93

PHOTOMETRIC DATA – KINETA NANO

PART NUMBER		ZONAL LUMEN SUMMARY			POLAR LUMINOUS INTENSITY	CONE DISTRIBUTION		
AE-DL-KN-2		Zone	Lumens	% Fixture	Direct Light	Center Beam Fc		Beam Width
Wattage	8W	0-20°	336.35	76.0		1.7ft	593 fc	0.8 ft 0.8 ft
CCT	3000K	0-30°	413.14	93.3		3.3ft	157 fc	1.6 ft 1.5 ft
Distribution	15°	0-40°	428.40	96.8		5.0ft	68.6 fc	2.4 ft 2.3 ft
SIZE	2"	0-60°	431.46	97.5		6.7ft	38.2 fc	3.2 ft 3.1 ft
		0-80°	431.62	97.5		8.3ft	24.9 fc	4.0 ft 3.9 ft
		0-90°	431.70	97.5	10.0ft	17.1 fc	4.8 ft 4.7 ft	
						■ Vert. Spread: 27.0° ■ Horiz. Spread: 26.4°		
PART NUMBER		ZONAL LUMEN SUMMARY			POLAR LUMINOUS INTENSITY	CONE DISTRIBUTION		
AE-DL-KN-2		Zone	Lumens	% Fixture	Direct Light	Center Beam Fc		Beam Width
Wattage	8W	0-20°	379.41	73.5		1.7ft	527 fc	1.0 ft 1.0 ft
CCT	3000K	0-30°	483.76	93.7		3.3ft	140 fc	2.0 ft 2.0 ft
Distribution	24°	0-40°	500.75	97.0		5.0ft	60.9 fc	3.0 ft 3.0 ft
SIZE	2"	0-60°	503.51	97.5		6.7ft	33.9 fc	4.0 ft 4.1 ft
		0-80°	503.68	97.5		8.3ft	22.1 fc	5.0 ft 5.0 ft
		0-90°	503.77	97.6	10.0ft	15.2 fc	6.0 ft 6.1 ft	
						■ Vert. Spread: 33.5° ■ Horiz. Spread: 33.8°		
PART NUMBER		ZONAL LUMEN SUMMARY			POLAR LUMINOUS INTENSITY	CONE DISTRIBUTION		
AE-DL-KN-2		Zone	Lumens	% Fixture	Direct Light	Center Beam Fc		Beam Width
Wattage	8W	0-20°	291.34	56.1		1.7ft	326 fc	1.4 ft 1.4 ft
CCT	3000K	0-30°	456.58	87.8		3.3ft	86.5 fc	2.7 ft 2.7 ft
Distribution	38°	0-40°	503.18	96.8		5.0ft	37.7 fc	4.1 ft 4.1 ft
SIZE	2"	0-60°	506.88	97.5		6.7ft	21 fc	5.5 ft 5.5 ft
		0-80°	507.05	97.6		8.3ft	13.7 fc	6.8 ft 6.8 ft
		0-90°	507.14	97.6	10.0ft	9.42 fc	8.2 ft 8.2 ft	
						■ Vert. Spread: 44.5° ■ Horiz. Spread: 44.4°		
PART NUMBER		ZONAL LUMEN SUMMARY			POLAR LUMINOUS INTENSITY	CONE DISTRIBUTION		
AE-DL-KN-2		Zone	Lumens	% Fixture	Direct Light	Center Beam Fc		Beam Width
Wattage	8W	0-20°	235.57	47.7		1.7ft	254 fc	1.6 ft 1.6 ft
CCT	3000K	0-30°	402.28	81.5		3.3ft	67.3 fc	3.2 ft 3.1 ft
Distribution	55°	0-40°	474.36	96.1		5.0ft	29.3 fc	4.8 ft 4.7 ft
SIZE	2"	0-60°	481.14	97.5		6.7ft	16.3 fc	6.4 ft 6.4 ft
		0-80°	481.33	97.6		8.3ft	10.6 fc	7.9 ft 7.9 ft
		0-90°	481.42	97.6	10.0ft	7.33 fc	9.6 ft 9.5 ft	
						■ Vert. Spread: 51.1° ■ Horiz. Spread: 50.8°		

LED COMMERCIAL DOWNLIGHT

Recessed Downlight | 2", 3", 4" & 5" Round & Square

LUMEN ESTIMATE – KINETA MINI

Lumen output varies based on CCT and CRI. An estimate of lumen output of the various CCT/CRI combinations, use correction factors as per table below:

LUMEN ESTIMATE ADJUSTMENT FACTORS

CCT	2700K	3000K	3500K	4000K
PREMIUM (90CRI)	0.8	0.86	0.93	0.93

PHOTOMETRIC DATA – KINETA MINI

PART NUMBER		ZONAL LUMEN SUMMARY			POLAR LUMINOUS INTENSITY	CONE DISTRIBUTION			
AE-DL-KN-3		Zone	Lumens	% Fixture	Direct Light	Center Beam Fc	Beam Width		
Wattage	15W	0-20°	789.46	77.3		17.0ft	17.9 fc	6.4 ft	6.1 ft
CCT	3000K	0-30°	954.7	93.5		34.0ft	4.48 fc	12.8 ft	12.3 ft
Distribution	15°	0-40°	986.01	96.6		51.0ft	1.99 fc	19.2 ft	18.4 ft
SIZE	3"	0-60°	992.35	97.2		68.0ft	1.12 fc	25.6 ft	24.5 ft
		0-80°	994.3	97.4		85.0ft	0.72 fc	32.0 ft	30.7 ft
		0-90°	994.54	97.4	102.0ft	0.5 fc	38.4 ft	36.8 ft	
						■ Vert. Spread: 21.3° ■ Horiz. Spread: 20.5°			

PART NUMBER		ZONAL LUMEN SUMMARY			POLAR LUMINOUS INTENSITY	CONE DISTRIBUTION			
AE-DL-KN-3		Zone	Lumens	% Fixture	Direct Light	Center Beam Fc	Beam Width		
Wattage	15W	0-20°	891.71	77.9		17.0ft	12.8 fc	10.0 ft	10.0 ft
CCT	3000K	0-30°	1079.31	94.3		34.0ft	3.2 fc	20.1 ft	19.9 ft
Distribution	24°	0-40°	1109.18	96.9		51.0ft	1.42 fc	30.1 ft	29.9 ft
SIZE	3"	0-60°	1113.93	97.4		68.0ft	0.8 fc	40.1 ft	39.8 ft
		0-80°	1115.04	97.5		85.0ft	0.51 fc	50.2 ft	49.8 ft
		0-90°	1115.28	97.5	102.0ft	0.36 fc	60.2 ft	59.7 ft	
						■ Vert. Spread: 32.9° ■ Horiz. Spread: 32.6°			

PART NUMBER		ZONAL LUMEN SUMMARY			POLAR LUMINOUS INTENSITY	CONE DISTRIBUTION			
AE-DL-KN-3		Zone	Lumens	% Fixture	Direct Light	Center Beam Fc	Beam Width		
Wattage	15W	0-20°	847.33	70.9		17.0ft	10.2 fc	12.0 ft	11.9 ft
CCT	3000K	0-30°	1126.58	94.2		34.0ft	2.55 fc	24.1 ft	23.9 ft
Distribution	38°	0-40°	1159.21	96.9		51.0ft	1.13 fc	36.1 ft	35.8 ft
SIZE	3"	0-60°	1164.49	97.4		68.0ft	0.64 fc	48.1 ft	47.7 ft
		0-80°	1165.81	97.5		85.0ft	0.41 fc	60.1 ft	59.7 ft
		0-90°	1166.06	97.5	102.0ft	0.28 fc	72.2 ft	71.6 ft	
						■ Vert. Spread: 39.0° ■ Horiz. Spread: 38.7°			

PART NUMBER		ZONAL LUMEN SUMMARY			POLAR LUMINOUS INTENSITY	CONE DISTRIBUTION			
AE-DL-KN-3		Zone	Lumens	% Fixture	Direct Light	Center Beam Fc	Beam Width		
Wattage	15W	0-20°	527.7	48.5		17.0ft	5.59 fc	15.9 ft	15.5 ft
CCT	3000K	0-30°	883.31	81.2		34.0ft	1.4 fc	31.7 ft	31.0 ft
Distribution	55°	0-40°	1031.38	94.8		51.0ft	0.62 fc	47.6 ft	46.4 ft
SIZE	3"	0-60°	1058.15	97.3		68.0ft	0.35 fc	63.4 ft	61.9 ft
		0-80°	1059.94	97.4		85.0ft	0.22 fc	79.3 ft	77.4 ft
		0-90°	1060.19	97.5	102.0ft	0.16 fc	95.1 ft	92.9 ft	
						■ Vert. Spread: 50.0° ■ Horiz. Spread: 49.0°			

LED COMMERCIAL DOWNLIGHT

Recessed Downlight | 2", 3", 4" & 5" Round & Square

LUMEN ESTIMATE – KINETA

Lumen output varies based on CCT and CRI. An estimate of lumen output of the various CCT/CRI combinations, use correction factors as per table below:

LUMEN ESTIMATE ADJUSTMENT FACTORS

CCT	2700K	3000K	3500K	4000K
PREMIUM (90CRI)	0.94	1	1.02	1.03

PHOTOMETRIC DATA – KINETA

PART NUMBER		ZONAL LUMEN SUMMARY			POLAR LUMINOUS INTENSITY	CONE DISTRIBUTION			
AE-DL-KN-4		Zone	Lumens	% Fixture	Direct Light	Center Beam Fc	Beam Width		
Wattage	25W	0-20°	1427.6	82.90		1.7ft	4643 fc	0.5 ft	0.5 ft
CCT	3000K	0-30°	1625.1	94.40		3.3ft	1232 fc	1.0 ft	1.0 ft
Distribution	15°	0-40°	1663.19	96.60		5.0ft	537 fc	1.4 ft	1.5 ft
SIZE	4"	0-60°	1674.06	97.20		6.7ft	299 fc	1.9 ft	2.0 ft
		0-80°	1676.23	97.40		8.3ft	195 fc	2.4 ft	2.4 ft
		0-90°	1676.66	97.40	10.0ft	134 fc	2.9 ft	2.9 ft	
						■ Vert. Spread: 16.4° ■ Horiz. Spread: 16.6°			

PART NUMBER		ZONAL LUMEN SUMMARY			POLAR LUMINOUS INTENSITY	CONE DISTRIBUTION			
AE-DL-KN-4		Zone	Lumens	% Fixture	Direct Light	Center Beam Fc	Beam Width		
Wattage	25W	0-20°	1651.21	88.10		1.7ft	3835 fc	0.7 ft	0.7 ft
CCT	3000K	0-30°	1781.91	95.10		3.3ft	1018 fc	1.3 ft	1.3 ft
Distribution	24°	0-40°	1814.81	96.90		5.0ft	443 fc	2.0 ft	2.0 ft
SIZE	4"	0-60°	1823.47	97.30		6.7ft	247 fc	2.7 ft	2.7 ft
		0-80°	1825.22	97.40		8.3ft	161 fc	3.3 ft	3.4 ft
		0-90°	1825.64	97.50	10.0ft	111 fc	4.0 ft	4.1 ft	
						■ Vert. Spread: 22.8° ■ Horiz. Spread: 22.9°			

PART NUMBER		ZONAL LUMEN SUMMARY			POLAR LUMINOUS INTENSITY	CONE DISTRIBUTION			
AE-DL-KN-4		Zone	Lumens	% Fixture	Direct Light	Center Beam Fc	Beam Width		
Wattage	25W	0-20°	1362.7	72.10		1.7ft	1936 fc	1.0 ft	1.0 ft
CCT	3000K	0-30°	1785.57	94.40		3.3ft	514 fc	2.0 ft	2.0 ft
Distribution	38°	0-40°	1830.81	96.80		5.0ft	224 fc	3.0 ft	3.0 ft
SIZE	4"	0-60°	1841.53	97.40		6.7ft	125 fc	4.0 ft	4.0 ft
		0-80°	1843.19	97.50		8.3ft	81.2 fc	5.0 ft	5.0 ft
		0-90°	1843.6	97.50	10.0ft	56 fc	6.0 ft	6.0 ft	
						■ Vert. Spread: 33.6° ■ Horiz. Spread: 33.3°			

PART NUMBER		ZONAL LUMEN SUMMARY			POLAR LUMINOUS INTENSITY	CONE DISTRIBUTION			
AE-DL-KN-4		Zone	Lumens	% Fixture	Direct Light	Center Beam Fc	Beam Width		
Wattage	25W	0-20°	937.16	49.00		1.7ft	1060 fc	1.5 ft	1.5 ft
CCT	3000K	0-30°	1575.78	82.40		3.3ft	281 fc	2.9 ft	2.8 ft
Distribution	55°	0-40°	1834.74	95.90		5.0ft	123 fc	4.4 ft	4.3 ft
SIZE	4"	0-60°	1862.91	97.40		6.7ft	68.3 fc	5.9 ft	5.8 ft
		0-80°	1865.02	97.50		8.3ft	44.5 fc	7.3 ft	7.1 ft
		0-90°	1865.43	97.50	10.0ft	30.6 fc	8.8 ft	8.6 ft	
						■ Vert. Spread: 47.5° ■ Horiz. Spread: 46.5°			

LED COMMERCIAL DOWNLIGHT

Recessed Downlight | 2", 3", 4" & 5" Round & Square

LUMEN ESTIMATE – KINETA MAX

Lumen output varies based on CCT and CRI. Use correction factors as per table below:

LUMEN ESTIMATE ADJUSTMENT FACTORS

CCT	2700K	3000K	3500K	4000K
PREMIUM (90CRI)	0.95	1.03	1.05	1.02

PHOTOMETRIC DATA – KINETA MAX

PART NUMBER		ZONAL LUMEN SUMMARY			POLAR LUMINOUS INTENSITY	CONE DISTRIBUTION			
AE-DL-KN-5		Zone	Lumens	% Fixture	Direct Light	Center Beam Fc	Beam Width		
Wattage	35W	0-20°	2044.95	82.6		2.5ft	2498 fc	0.9 ft	0.9 ft
CCT	3000K	0-30°	2293.44	92.7		5.0ft	625 fc	1.8 ft	1.7 ft
Distribution	15°	0-40°	2365.08	95.6		7.5ft	278 fc	2.7 ft	2.6 ft
SIZE	5"	0-60°	2394.8	96.8		10.0ft	156 fc	3.5 ft	3.5 ft
		0-80°	2406.23	97.2		12.5ft	99.9 fc	4.4 ft	4.4 ft
		0-90°	2408.06	97.3	15.0ft	69.4 fc	5.3 ft	5.2 ft	
						■ Vert. Spread: 20.1° ■ Horiz. Spread: 19.8°			

PART NUMBER		ZONAL LUMEN SUMMARY			POLAR LUMINOUS INTENSITY	CONE DISTRIBUTION			
AE-DL-KN-5		Zone	Lumens	% Fixture	Direct Light	Center Beam Fc	Beam Width		
Wattage	35W	0-20°	2181.5	82.8		2.5ft	1886 fc	1.2 ft	1.2 ft
CCT	3000K	0-30°	2464.55	93.5		5.0ft	472 fc	2.4 ft	2.3 ft
Distribution	24°	0-40°	2526	95.8		7.5ft	210 fc	3.6 ft	3.5 ft
SIZE	5"	0-60°	2555.05	96.9		10.0ft	118 fc	4.7 ft	4.6 ft
		0-80°	2566.99	97.4		12.5ft	75.4 fc	5.9 ft	5.8 ft
		0-90°	2568.12	97.4	15.0ft	52.4 fc	7.1 ft	7.0 ft	
						■ Vert. Spread: 26.6° ■ Horiz. Spread: 26.1°			

PART NUMBER		ZONAL LUMEN SUMMARY			POLAR LUMINOUS INTENSITY	CONE DISTRIBUTION			
AE-DL-KN-5		Zone	Lumens	% Fixture	Direct Light	Center Beam Fc	Beam Width		
Wattage	35W	0-20°	1753.4	64.5		2.5ft	909 fc	1.8 ft	1.9 ft
CCT	3000K	0-30°	2484.51	91.4		5.0ft	227 fc	3.6 ft	3.7 ft
Distribution	38°	0-40°	2603.62	95.8		7.5ft	101 fc	5.4 ft	5.6 ft
SIZE	5"	0-60°	2638.79	97		10.0ft	56.8 fc	7.2 ft	7.4 ft
		0-80°	2649.87	97.5		12.5ft	36.4 fc	9.0 ft	9.3 ft
		0-90°	2650.9	97.5	15.0ft	25.3 fc	10.8 ft	11.1 ft	
						■ Vert. Spread: 39.5° ■ Horiz. Spread: 40.7°			

PART NUMBER		ZONAL LUMEN SUMMARY			POLAR LUMINOUS INTENSITY	CONE DISTRIBUTION			
AE-DL-KN-5		Zone	Lumens	% Fixture	Direct Light	Center Beam Fc	Beam Width		
Wattage	35W	0-20°	1090.45	44.5		2.5ft	473 fc	2.5 ft	2.3 ft
CCT	3000K	0-30°	1903.5	77.7		5.0ft	118 fc	5.1 ft	4.6 ft
Distribution	55°	0-40°	2279.07	93		7.5ft	52.6 fc	7.6 ft	7.0 ft
SIZE	5"	0-60°	2369.11	96.7		10.0ft	29.6 fc	10.1 ft	9.3 ft
		0-80°	2387.48	97.4		12.5ft	18.9 fc	12.7 ft	11.6 ft
		0-90°	2388.71	97.5	15.0ft	13.1 fc	15.2 ft	13.9 ft	
						■ Vert. Spread: 53.7° ■ Horiz. Spread: 49.9°			

LED COMMERCIAL DOWNLIGHT

Recessed Downlight | 2", 3", 4" & 5" Round & Square

OVERVIEW

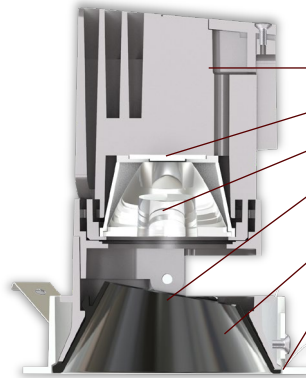


Innovative Design

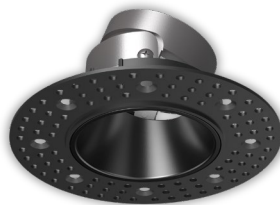
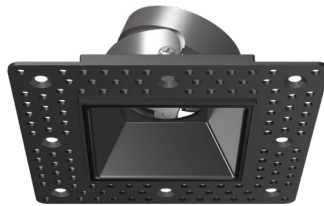
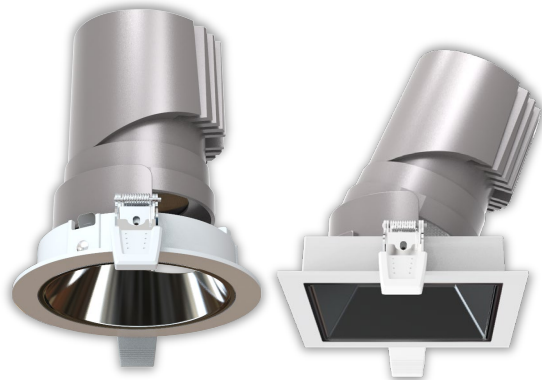
- Brushed metal housing.
- Improved design extends LED and driver lifespan.
- Stainless steel spring-action clips



Multiple Options



- Two powers options
- Four CCT options.
- Variety of beam angles.
- Adjustable round/square, Fixed round reflector.
- Multiple reflector finishes.
- Round / square, Black / white trim and trimless options.



Accessories

- Honeycomb louvers and soft lens.
- New construction frame kit.
- Emergency back up battery.



Tests And Certifications



Optional

Emergency backup battery

