

# KINETA NANO

## LED COMMERCIAL DOWNLIGHT

### Recessed Downlight | 2" Round

The KINETA NANO is a 2-inch recessed downlight offers a range of optical options, it can be either adjustable or fixed. Variety of reflectors and trim finishes available making it an attractive addition. It comes in either round or square shape, in addition to the trimless option. It is available in two power options 5 W – 332 lm and 8 W – 440 lm, dual dimming option and multiple CCTs.

Applications: Art Galleries | Show Rooms | Retail Stores | Hospitality | Office.

	DATE	QTY	ACC. QTY	TYPE
PROJECT				
PN				
ACCESSORY PN				
NOTES				

### DYNAMIC MENU

Order Information	<a href="#">Page 2</a>
Dimensions	<a href="#">Page 3</a>
Accessories	<a href="#">Page 5</a>

[Install Instruction link](#)



### SPECIFICATIONS

Input Voltage	120-277V
Power Factor	>0.9
Total Harmonic Distortion	<20%
Dimming	TRIAC & 0-10V dimming (down 10%)
CRI	90 CRI
CCT	<div style="display: flex; gap: 10px;"> <div style="background-color: #fff9c4; border-radius: 50%; width: 20px; height: 20px; display: flex; align-items: center; justify-content: center;">27K</div> <div style="background-color: #fff176; border-radius: 50%; width: 20px; height: 20px; display: flex; align-items: center; justify-content: center;">30K</div> <div style="background-color: #e0e0e0; border-radius: 50%; width: 20px; height: 20px; display: flex; align-items: center; justify-content: center;">35K</div> <div style="background-color: #bbdefb; border-radius: 50%; width: 20px; height: 20px; display: flex; align-items: center; justify-content: center;">40K</div> </div>
Efficacy	~80 lm/W
Size and Power	2 inch   5 - 8W
Ambient Temperature Range	-10°C to 40°C
Mounting Options	New construction   Retrofit
Reflector Finish	
Trim Shape	Trim
	Trimless
Trim Finish	
Optical Accessories	Honeycomb louver   Soft lens
Distribution	

### PRODUCT FEATURE



### PRODUCT CERTIFICATIONS



### SYSTEM WARRANTY – 5 YEARS

Eralux will warrant defective drivers, LEDs and boards for 5 years from the date of purchase. This warranty is valid only if the fixture is installed and used as per installation guides and specifications. If a defect is present, Eralux will send drivers and boards at no fee with a thorough replacement instructions along with instructions on the return of the defective parts back to Eralux.

### LUMEN MAINTENANCE – L70 at 60,000 hours

Rated for 70% initial lumen output at 60,000 hours of operation, operated at 25°C ambient temperature; per guidelines published by the Illuminating Engineering Society (IES).

## LED COMMERCIAL DOWNLIGHT

Recessed Downlight | 2" Round



### ORDERING GUIDE

<b>AE-DL-KN-2</b>			<b>-UV</b>		<b>-X</b>			
<b>AE-DL-KN-2</b> ERALUX KINETA NANO Recessed downlight 2-inch IP20	<b>-RA1</b> Round Adjustable <b>-RF1</b> Round Fixed	<b>BK</b> Black <b>WH</b> White <b>SP</b> Specular Bright Silver <b>DF</b> Diffused Matt Silver	<b>-UV</b> 120-277V Input	<b>-5W</b> 5W   332 Lm <b>-8W</b> 8W   440 Lm	<b>-X</b> Dual Dimming 0-10V & TRIAC	<b>27</b> 2700K <b>30</b> 3000K <b>35</b> 3500K <b>40</b> 4000K	<b>-15</b> Narrow Flood 15° <b>-24</b> Flood 24° <b>-38</b> Wide Flood 38° <b>-55</b> Very Wide flood 55°	<b>-WHT</b> White <b>-BKT</b> Black <b>-BK-TL</b> Black Trimless <b>-WH-TL</b> White Trimless
<b>Fixture Family</b>	<b>Reflector   Finish</b>		<b>Voltage</b>	<b>Power</b>	<b>Dimming</b>	<b>CCT</b>	<b>Distribution</b>	<b>Trim</b>



### ORDERING GUIDE – ACCESSORIES

<b>AE-DL-KN</b> ERALUX KINETA NANO	<b>-2</b> 2 Inch	<b>-COMB</b> Honeycomb louver <b>-SOFTLENS</b>
<b>Fixture Family</b>	<b>SIZE</b>	<b>TYPE</b>



### ORDERING GUIDE | EMBB

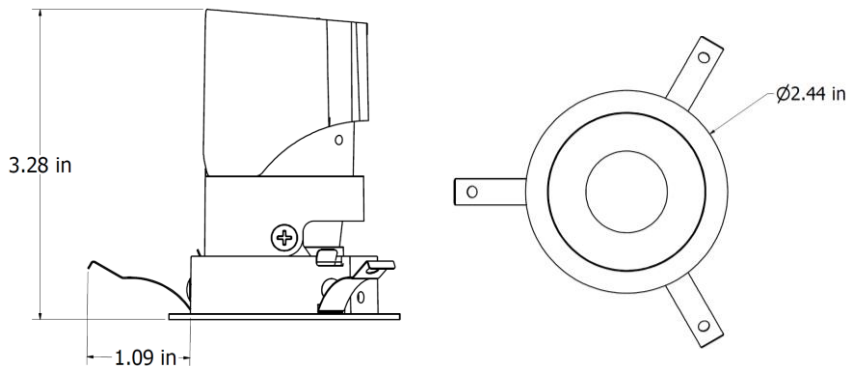
<b>[BLANK]</b> No EMBB <b>BLD-HM8D-YYY</b> 8W emergency battery backup
<b>EMBB</b>

1. Junction Box is not included. KINETA SERIES comes with a junction box by default.

#### DIMENSIONS

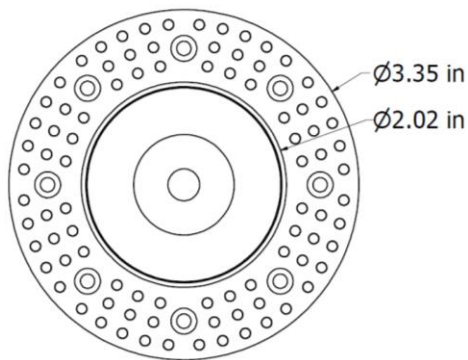
#### AE-DL-KN-2

#### Round Trim



Ceiling Cut out  
2.16"±0.10" Ø

#### Round Trimless

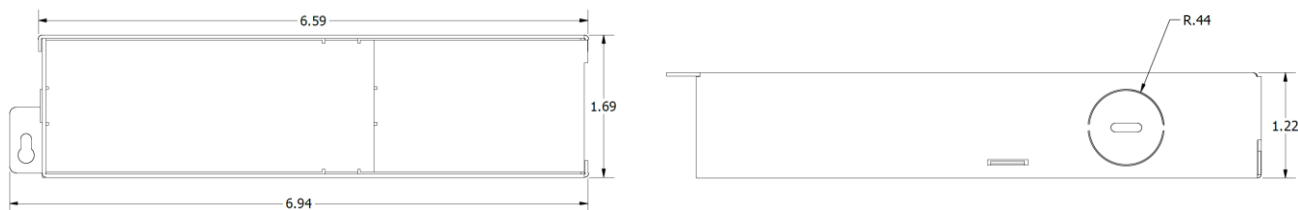


Ceiling Cut out  
2.16"±0.10" Ø

#### Ceiling Thickness



#### Driver



## LED COMMERCIAL DOWNLIGHT

Recessed Downlight | 2" Round

### REFLECTOR

- Rotation up to 355°
- Tilt 30° ( RA1 – SA1)



FINISH				
SHAPE	WHITE	BRIGHT SILVER	DIFFUSED SILVER	BLACK
ROUND ADJUSTABLE (RA1)				
ROUND FIX (RF1)				
DESCRIPTION	Maximizes and diffuses light, providing soft and even illumination.	Directs light precisely, producing sharp highlights and enhancing brightness.	Evenly scatters light, creating a soft, balanced illumination with reduced glare.	Absorbs light, creating a focused and dramatic effect with minimized glare.

### DIMMER COMPATIBILITY LIST

Brand	Model	Dim Depth To	DIM
LEVITON	IPM10	OFF	TRIAC
	6674	OFF	TRIAC
	AWSMT-EB	OFF	TRIAC
LUTRON	DVCL-153P	2%	TRIAC
	NTLV-603P	1%	TRIAC
	GT-250M	1%	TRIAC
	MACL-153M	1%	TRIAC
	PD-6WCL	1%	TRIAC
	DSL06	2%	TRIAC
	DV-600P	1%	TRIAC
	RRD-10ND	2%	TRIAC
	NTELV-300	1%	ELV
	SELV-300P	1%	ELV

## LED COMMERCIAL DOWNLIGHT

Recessed Downlight | 2" Round

### TRIM

TRIM		SHAPE	
FINISH	ROUND		
WHITE (-WHT)			
Black (-BKT)			
WHITE TRIMLESS (-WH-TL)			
Black TRIMLESS (-BK-TL)			

### OPTICAL ACCESSORIES

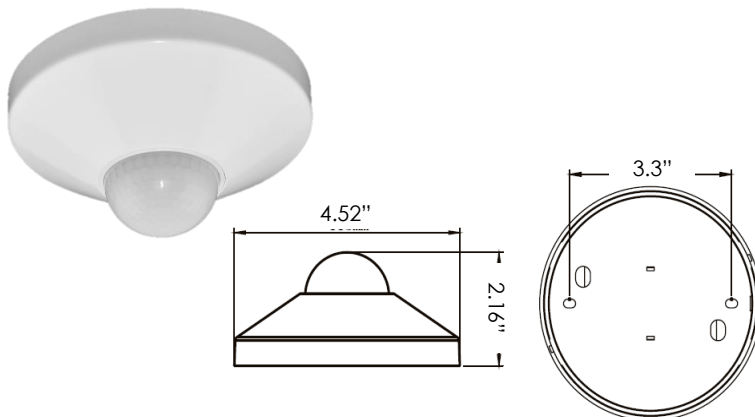
ORDERING CODE	DESCRIPTION	LIGHT GLARE	PICTURE
AE-DL-KN-3-COMB	Honeycomb louver Reduce the glare of the light source and luminaire		
AE-DL-KN-3-SOFTLENS	Softening Glass lens		

## LED COMMERCIAL DOWNLIGHT

Recessed Downlight | 2" Round

### ROOM OCCUPANCY SENSOR

PART NUMBER	DESCRIPTION
AE-CT-DT806	Detecta - Room Occupancy Sensor
RC102	RC102 Remote Control



SPECIFICATIONS	
Input Voltage	120-277 Vac
Power Frequency	50/60HZ
Rated Load	At 120 Vac 800W
	At 277 Vac 1200W
Detection Range	3-10 Meters
	9.8- 32.8 Feet
Standby Power	~0.9W
Time Setting	10 sec to 30 min
Light Control	10-2,000LUX
Installation	Ceiling Mounted

### CONTROLS

Ordered separately, field installed

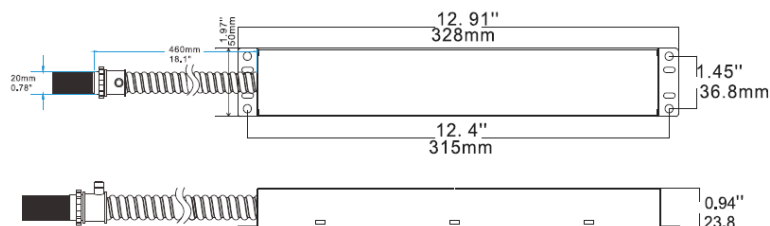
### EMERGENCY LED DRIVER (BLD-HMXXD-YYY)

BLD-HM8D-YYY



The BLD-HMXXD-YYY series LED Emergency Driver is UL listed for field and factory installations. It switches to emergency mode during power failures, providing up to 90 minutes of lighting. With an integrated battery, charger, and converter, it delivers 6-25W constant power at 170VDC. Ideal for 0-10V dimmable indoor commercial LED fixtures, such as flat panels, troffers, downlights, and linear strip lights.

SPECIFICATIONS	
Input Voltage	100-347 Vac
Power Frequency	50/60HZ
Input Power	8W max
Output Voltage	170V Dc
Output Power	8W
Ambient Temperature	0°C to 50°C
	30°F to 122°F
Installation	Remote



## LED COMMERCIAL DOWNLIGHT

Recessed Downlight | 2" Round

### LUMEN ESTIMATE

Lumen output varies based on CCT and CRI. An estimate of lumen output of the various CCT/CRI combinations, use correction factors as per table below:

#### LUMEN ESTIMATE ADJUSTMENT FACTORS

CCT	2700K	3000K	3500K	4000K
PREMIUM (90CRI)	0.8	0.86	0.93	0.93

### PHOTOMETRIC DATA

PART NUMBER		ZONAL LUMEN SUMMARY			POLAR LUMINOUS INTENSITY	CONE DISTRIBUTION		
AE-DL-KN-2		Zone	Lumens	% Fixture	Direct Light	Center Beam Fc		Beam Width
Wattage	8W	0-20°	336.35	76		1.7ft	593 fc	0.8 ft 0.8 ft
CCT	3000K	0-30°	413.14	93.3		3.3ft	157 fc	1.6 ft 1.5 ft
Distribution	15°	0-40°	428.4	96.8		5.0ft	68.6 fc	2.4 ft 2.3 ft
SIZE	2"	0-60°	431.46	97.5		6.7ft	38.2 fc	3.2 ft 3.1 ft
		0-80°	431.62	97.5		8.3ft	24.9 fc	4.0 ft 3.9 ft
		0-90°	431.7	97.5		10.0ft	17.1 fc	4.8 ft 4.7 ft
						■ Vert. Spread: 27.0° ■ Horiz. Spread: 26.4°		
PART NUMBER		ZONAL LUMEN SUMMARY			POLAR LUMINOUS INTENSITY	CONE DISTRIBUTION		
AE-DL-KN-2		Zone	Lumens	% Fixture	Direct Light	Center Beam Fc		Beam Width
Wattage	8W	0-20°	379.41	73.5		1.7ft	527 fc	1.0 ft 1.0 ft
CCT	3000K	0-30°	483.76	93.7		3.3ft	140 fc	2.0 ft 2.0 ft
Distribution	24°	0-40°	500.75	97		5.0ft	60.9 fc	3.0 ft 3.0 ft
SIZE	2"	0-60°	503.51	97.5		6.7ft	33.9 fc	4.0 ft 4.1 ft
		0-80°	503.68	97.5		8.3ft	22.1 fc	5.0 ft 5.0 ft
		0-90°	503.77	97.6		10.0ft	15.2 fc	6.0 ft 6.1 ft
						■ Vert. Spread: 33.5° ■ Horiz. Spread: 33.8°		
PART NUMBER		ZONAL LUMEN SUMMARY			POLAR LUMINOUS INTENSITY	CONE DISTRIBUTION		
AE-DL-KN-2		Zone	Lumens	% Fixture	Direct Light	Center Beam Fc		Beam Width
Wattage	8W	0-20°	291.34	56.1		1.7ft	326 fc	1.4 ft 1.4 ft
CCT	3000K	0-30°	456.58	87.8		3.3ft	86.5 fc	2.7 ft 2.7 ft
Distribution	38°	0-40°	503.18	96.8		5.0ft	37.7 fc	4.1 ft 4.1 ft
SIZE	2"	0-60°	506.88	97.5		6.7ft	21 fc	5.5 ft 5.5 ft
		0-80°	507.05	97.6		8.3ft	13.7 fc	6.8 ft 6.8 ft
		0-90°	507.14	97.6		10.0ft	9.42 fc	8.2 ft 8.2 ft
						■ Vert. Spread: 44.5° ■ Horiz. Spread: 44.4°		
PART NUMBER		ZONAL LUMEN SUMMARY			POLAR LUMINOUS INTENSITY	CONE DISTRIBUTION		
AE-DL-KN-2		Zone	Lumens	% Fixture	Direct Light	Center Beam Fc		Beam Width
Wattage	8W	0-20°	235.57	47.7		1.7ft	254 fc	1.6 ft 1.6 ft
CCT	3000K	0-30°	402.28	81.5		3.3ft	67.3 fc	3.2 ft 3.1 ft
Distribution	55°	0-40°	474.36	96.1		5.0ft	29.3 fc	4.8 ft 4.7 ft
SIZE	2"	0-60°	481.14	97.5		6.7ft	16.3 fc	6.4 ft 6.4 ft
		0-80°	481.33	97.6		8.3ft	10.6 fc	7.9 ft 7.9 ft
		0-90°	481.42	97.6		10.0ft	7.33 fc	9.6 ft 9.5 ft
						■ Vert. Spread: 51.1° ■ Horiz. Spread: 50.8°		

#### OVERVIEW

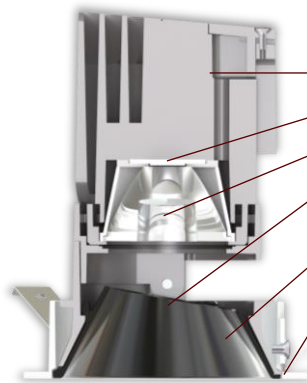


#### Innovative Design

- Brushed metal housing.
- Improved design extends LED and driver lifespan.
- Stainless steel housing clips



#### Multiple Options



- Two powers 5W and 8W.
- Four CCT options.
- Variety of beam angles.
- Adjustable and Fixed round reflector.
- Multiple reflector finishes.
- Round Black / white trim and trimless options.



#### Accessories

- Honeycomb louvers and soft lens.
- Emergency back up battery.



#### Tests And Certifications

