

KINETA

LED COMMERCIAL DOWNLIGHT

Recessed Downlight | 4" Round & Square

The KINETA is a 4-inch recessed downlight offers a range of optical options; it can be either adjustable or fixed. Variety of reflectors and trim finishes available making it an attractive addition. It comes in either round or square shape, in addition to round trimless option. It is available in two power options 20 W – 1600 lm and 25 W – 2000 lm, dual dimming option and multiple CCTs.

Applications: Art Galleries | Show Rooms | Retail Stores | Hospitality | Office.

eralux®

| | DATE | QTY | ACC. QTY | TYPE |
|--------------|------|-----|----------|------|
| PROJECT | | | | |
| PN | | | | |
| ACCESSORY PN | | | | |
| NOTES | | | | |



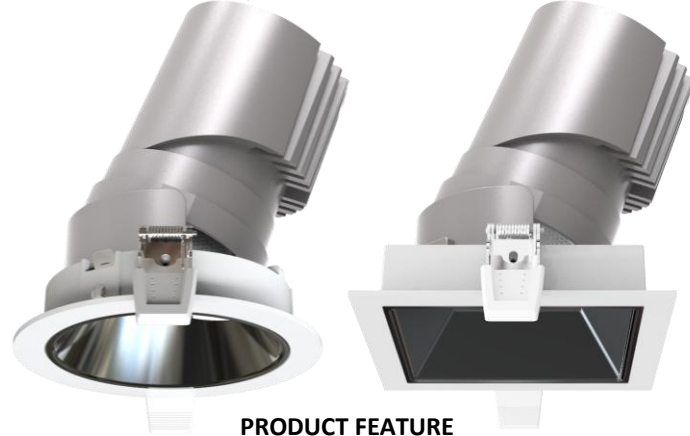
DYNAMIC MENU

| | |
|-------------------|------------------------|
| Order Information | Page 2 |
| Dimensions | Page 3 |
| Accessories | Page 5 |
| Photometric Data | Page 8 |

[Install Instruction link](#)

SPECIFICATIONS

| | |
|--------------------------------|--|
| Input Voltage | 120-277V |
| Power Factor | >0.9 |
| Total Harmonic Distortion | <20% |
| Dimming Page 7 | TRIAC & 0-10V dimming (down 10%) |
| CRI | 90 CRI |
| CCT | <div style="display: flex; gap: 10px;"> <div style="background-color: #fff9c4; border-radius: 50%; width: 20px; height: 20px; display: flex; align-items: center; justify-content: center;">27K</div> <div style="background-color: #fff176; border-radius: 50%; width: 20px; height: 20px; display: flex; align-items: center; justify-content: center;">30K</div> <div style="background-color: #e0e0e0; border-radius: 50%; width: 20px; height: 20px; display: flex; align-items: center; justify-content: center;">35K</div> <div style="background-color: #bbdefb; border-radius: 50%; width: 20px; height: 20px; display: flex; align-items: center; justify-content: center;">40K</div> </div> |
| Efficacy | ~80 lm/W |
| Size and Power | 4 inch 20 - 25 W |
| Ambient Temperature Range | -10°C to 40°C |
| Mounting Options | New construction Retrofit |
| Reflector Finish | |
| Trim Shape | Trim <div style="display: flex; gap: 10px;"> </div> |
| | Trimless <div style="display: flex; gap: 10px;"> </div> |
| Trim Finish | |
| Optical Accessories | Honeycomb louver Soft lens |
| Distribution | <div style="display: flex; gap: 10px;"> <div style="text-align: center;"> <p>15°</p> </div> <div style="text-align: center;"> <p>24°</p> </div> <div style="text-align: center;"> <p>38°</p> </div> <div style="text-align: center;"> <p>55°</p> </div> </div> |



PRODUCT FEATURE



PRODUCT CERTIFICATIONS



SYSTEM WARRANTY – 5 YEARS

Eralux will warrant defective drivers, LEDs and boards for 5 years from the date of purchase. This warranty is valid only if the fixture is installed and used as per installation guides and specifications. If a defect is present, Eralux will send drivers and boards at no fee with a thorough replacement instructions along with instructions on the return of the defective parts back to Eralux.

LUMEN MAINTENANCE – L70 at 60,000 hours

Rated for 70% initial lumen output at 60,000 hours of operation, operated at 25°C ambient temperature; per guidelines published by the Illuminating Engineering Society (IES).

LED COMMERCIAL DOWNLIGHT

Recessed Downlight | 4" Round & Square



ORDERING GUIDE

| | | | | | | | | |
|---|--|---|---------------------------------|--|--|--|--|--|
| AE-DL-KN-4 | | | -UV | | -X | | | |
| AE-DL-KN-4 ERALUX KINETA Recessed downlight 4-inch IP20 | -RA1 Round Adjustable -RF1 Round Fixed -SA1¹ Square Adjustable | BK Black WH White SP Specular Bright Silver DF Diffused Matt Silver | -UV 120-277V Input | -20W 20W 1600 lm -25W 25W 2000 lm | -X Dual Dimming 0-10V & TRIAC | -27 2700K -30 3000K -35 3500K -40 4000K | -15 Narrow Flood 15° -24 Flood 24° -38 Wide Flood 38° -55 Very Wide flood 55° | -WHT White -BKT Black -BK-TL¹ Black Trimless -WH-TL¹ White Trimless |
| Fixture Family | Reflector Finish | | Voltage | Power | Dimming | CCT | Distribution | Trim |

1. Trimless only available in Round and Round Fixed



ORDERING GUIDE – ACCESSORIES | IP

| | | | |
|----------------------------------|---------------------|---|---|
| | | | |
| AE-DL-KN ERALUX KINETA | -4 4 Inch | -COMB Honeycomb louver -SOFTLENS | [BLANK] Standard IP20 AE-DL-KN-4-IP44-KIT IP44 |
| Accessory Family | SIZE | TYPE | IP Rating |



ORDERING GUIDE – FRAME KIT | EMBB

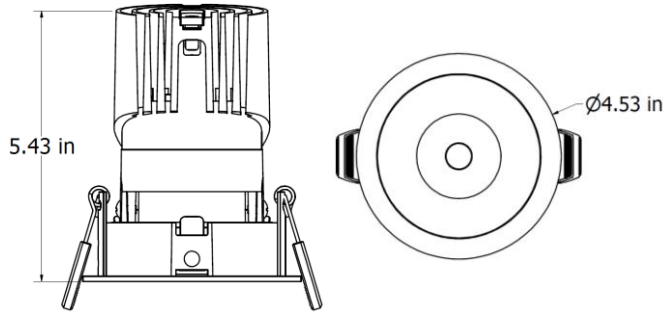
| | | | | |
|---|---|------------------------|-------------------------|--|
| | | | | |
| AE-DL-FRKT ERALUX FRAME KITS Downlights | [BLANK] Round frame -SQ Square frame | -04 4 Inches | -UNV¹ | [BLANK] No EMBB BLD-HM8D-YYY 8W emergency battery backup |
| Fixture Family | Shape | SIZE | TYPE | EMBB |

1. Junction Box is not included Since KINETA SERIES comes with a junction box by default.

DIMENSIONS

AE-DL-KN-4

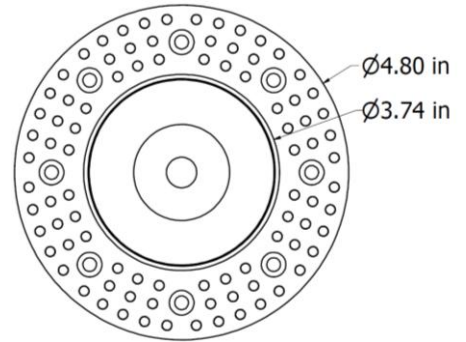
Round Trim



Ceiling Cut out
 3.93"±0.10" Ø



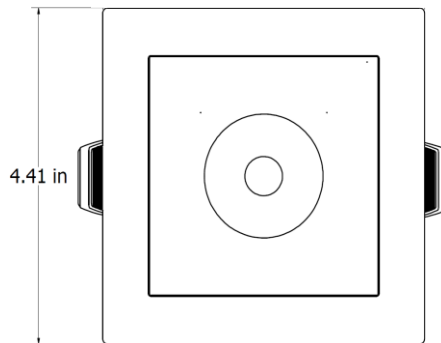
Round Trimless



Ceiling Cut out
 3.93"±0.10" Ø



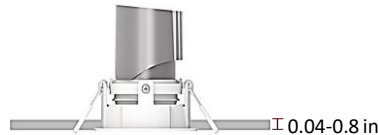
Square Trim



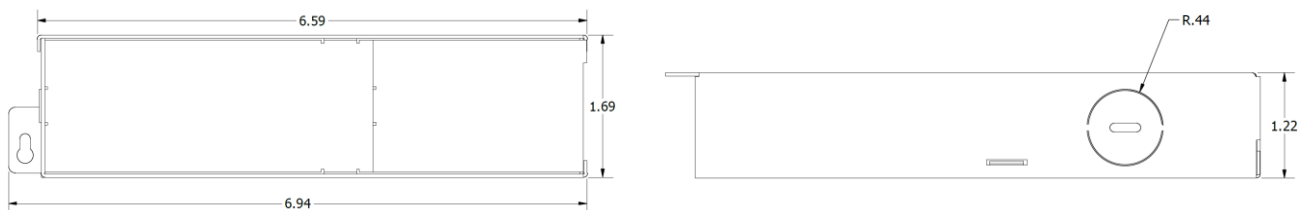
Ceiling Cut out
 3.93"x3.93"



Ceiling Thickness



Driver



LED COMMERCIAL DOWNLIGHT

Recessed Downlight | 4" Round & Square

REFLECTOR

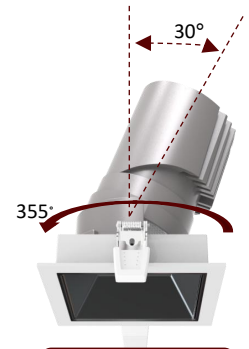
- Rotation up to 355°
- Tilt 30° (RA1 – SA1)



ROUND ADJUSTABLE



ROUND FIX



SQUARE ADJUSTABLE

FINISH

| SHAPE | WHITE | BRIGHT SILVER | DIFFUSED SILVER | BLACK |
|-------------------------|---|---|---|---|
| ROUND ADJUSTABLE (RA1) | | | | |
| ROUND FIX (RF1) | | | | |
| SQUARE ADJUSTABLE (SA1) | | | | |
| DESCRIPTION | Maximizes and diffuses light, providing soft and even illumination. | Directs light precisely, producing sharp highlights and enhancing brightness. | Evenly scatters light, creating a soft, balanced illumination with reduced glare. | Absorbs light, creating a focused and dramatic effect with minimized glare. |
| | | | | |

LED COMMERCIAL DOWNLIGHT

Recessed Downlight | 4" Round & Square

TRIM

| FINISH | SHAPE | |
|-------------------------|-------|--------|
| | ROUND | SQUARE |
| WHITE (-WHT) | | |
| Black (-BKT) | | |
| WHITE TRIMLESS (-WH-TL) | | |
| Black TRIMLESS (-BK-TL) | | |

OPTICAL ACCESSORIES

| ORDERING CODE | DESCRIPTION | LIGHT GLARE | PICTURE |
|---------------------|--|-------------|---------|
| AE-DL-KN-4-COMB | Honeycomb louver Reduce the glare of the light source and luminaire | | |
| AE-DL-KN-4-SOFTLENS | Softening Glass lens | | |

LED COMMERCIAL DOWNLIGHT

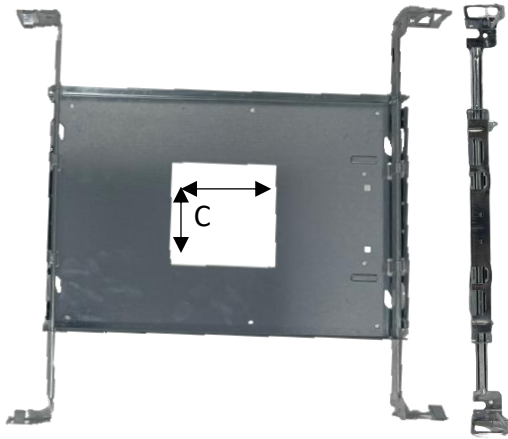
Recessed Downlight | 4" Round & Square

MOUNTING ACCESSORIES

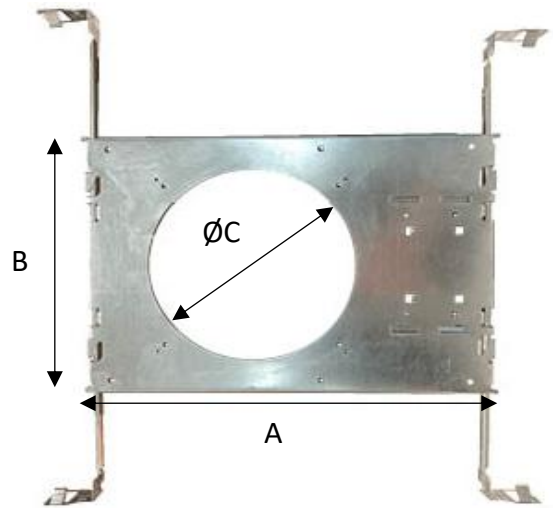
Ordered separately, field installed.

NEW CONSTRUCTION UNIVERSAL FRAME KIT

| SPECIFICATIONS | |
|-------------------|-----------------------------------|
| MATERIAL | 22-gauge galvanized steel housing |
| MOUNTING | T Grid Ceiling |
| | Gypsum Ceiling |
| | Maximum Thickness ~1.5" |
| LENGTH (A) | 12.75" |
| WIDTH (B) | 8.63" |

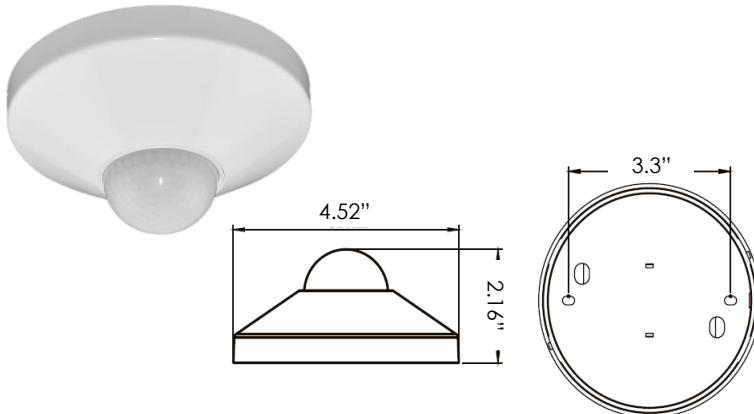


| OPENING SIZE | | | |
|----------------------|------|--------|---------|
| ORDERING CODE | SIZE | SHAPE | C |
| AE-DL-FRKT-04-UNV | 4" | Round | 4.50" Ø |
| AE-DL-FRKT-SQ-04-UNV | | Square | 4" x 4" |



ROOM OCCUPANCY SENSOR

| PART NUMBER | DESCRIPTION |
|-------------|---------------------------------|
| AE-CT-DT806 | Detecta - Room Occupancy Sensor |
| RC102 | RC102 Remote Control |



| SPECIFICATIONS | |
|------------------------|------------------|
| Input Voltage | 120-277 Vac |
| Power Frequency | 50/60HZ |
| Rated Load | At 120 Vac 800W |
| | At 277 Vac 1200W |
| Detection Range | 3-10 Meters |
| | 9.8- 32.8 Feet |
| Standby Power | ~0.9W |
| Time Setting | 10 sec to 30 min |
| Light Control | 10-2,000LUX |
| Installation | Ceiling Mounted |

LED COMMERCIAL DOWNLIGHT

Recessed Downlight | 4" Round & Square

CONTROLS

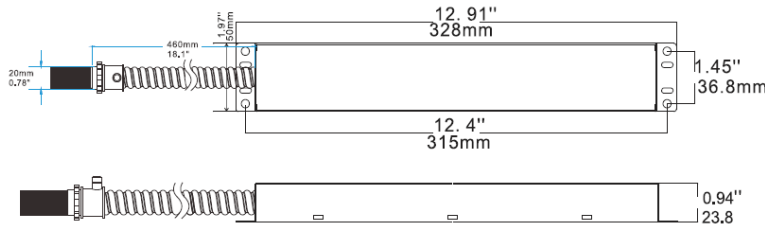
Ordered separately, field installed

EMERGENCY LED DRIVER

BLD-HM8D-YYY



The BLD-HMXXD-YYY series LED Emergency Driver is UL listed for field and factory installations. It switches to emergency mode during power failures, providing up to 90 minutes of lighting. With an integrated battery, charger, and converter, it delivers 6-25W constant power at 170VDC. Ideal for 0-10V dimmable indoor commercial LED fixtures, such as flat panels, troffers, downlights, and linear strip lights.



| SPECIFICATIONS | |
|---------------------|---------------|
| Input Voltage | 100-347 Vac |
| Power Frequency | 50/60HZ |
| Input Power | 8W max |
| Output Voltage | 170V Dc |
| Output Power | 8W |
| Ambient Temperature | 0°C to 50°C |
| | 30°F to 122°F |
| Installation | Remote |

DIMMER COMPATIBILITY LIST

| Brand | Model | Dim Depth To | DIM |
|---------|-----------|--------------|-------|
| LEVITON | IPM10 | OFF | TRIAC |
| | 6674 | OFF | TRIAC |
| | AWSMT-EB | OFF | TRIAC |
| LUTRON | DVCL-153P | 2% | TRIAC |
| | NTLV-603P | 1% | TRIAC |
| | GT-250M | 1% | TRIAC |
| | MACL-153M | 1% | TRIAC |
| | PD-6WCL | 1% | TRIAC |
| | DSL06 | 2% | TRIAC |
| | DV-600P | 1% | TRIAC |
| | RRD-10ND | 2% | TRIAC |
| | NTELV-300 | 1% | ELV |
| | SELV-300P | 1% | ELV |

LED COMMERCIAL DOWNLIGHT

Recessed Downlight | 4" Round & Square

LUMEN ESTIMATE

Lumen output varies based on CCT and CRI. An estimate of lumen output of the various CCT/CRI combinations, use correction factors as per table below:

LUMEN ESTIMATE ADJUSTMENT FACTORS

| CCT | 2700K | 3000K | 3500K | 4000K |
|-----------------|-------|-------|-------|-------|
| PREMIUM (90CRI) | 0.94 | 1 | 1.02 | 1.03 |

PHOTOMETRIC DATA

| PART NUMBER | | ZONAL LUMEN SUMMARY | | | POLAR LUMINOUS INTENSITY | CONE DISTRIBUTION | | | |
|--------------|-------|---------------------|---------|-----------|--------------------------|---|----------------|---------------|---------------|
| AE-DL-KN-4 | | Zone | Lumens | % Fixture | Direct Light | Center Beam Fc | | Beam Width | |
| Wattage | 25W | 0-20° | 1427.6 | 82.90 | | 1.7ft | 4643 fc | 0.5 ft | 0.5 ft |
| CCT | 3000K | 0-30° | 1625.1 | 94.40 | | 3.3ft | 1232 fc | 1.0 ft | 1.0 ft |
| Distribution | 15° | 0-40° | 1663.19 | 96.60 | | 5.0ft | 537 fc | 1.4 ft | 1.5 ft |
| SIZE | 4" | 0-60° | 1674.06 | 97.20 | | 6.7ft | 299 fc | 1.9 ft | 2.0 ft |
| | | 0-80° | 1676.23 | 97.40 | | 8.3ft | 195 fc | 2.4 ft | 2.4 ft |
| | | 0-90° | 1676.66 | 97.40 | 10.0ft | 134 fc | 2.9 ft | 2.9 ft | |
| | | | | | | ■ Vert. Spread: 16.4° ■ Horiz. Spread: 16.6° | | | |

| PART NUMBER | | ZONAL LUMEN SUMMARY | | | POLAR LUMINOUS INTENSITY | CONE DISTRIBUTION | | | |
|--------------|-------|---------------------|---------|-----------|--------------------------|---|----------------|---------------|---------------|
| AE-DL-KN-4 | | Zone | Lumens | % Fixture | Direct Light | Center Beam Fc | | Beam Width | |
| Wattage | 25W | 0-20° | 1651.21 | 88.10 | | 1.7ft | 3835 fc | 0.7 ft | 0.7 ft |
| CCT | 3000K | 0-30° | 1781.91 | 95.10 | | 3.3ft | 1018 fc | 1.3 ft | 1.3 ft |
| Distribution | 24° | 0-40° | 1814.81 | 96.90 | | 5.0ft | 443 fc | 2.0 ft | 2.0 ft |
| SIZE | 4" | 0-60° | 1823.47 | 97.30 | | 6.7ft | 247 fc | 2.7 ft | 2.7 ft |
| | | 0-80° | 1825.22 | 97.40 | | 8.3ft | 161 fc | 3.3 ft | 3.4 ft |
| | | 0-90° | 1825.64 | 97.50 | 10.0ft | 111 fc | 4.0 ft | 4.1 ft | |
| | | | | | | ■ Vert. Spread: 22.8° ■ Horiz. Spread: 22.9° | | | |

| PART NUMBER | | ZONAL LUMEN SUMMARY | | | POLAR LUMINOUS INTENSITY | CONE DISTRIBUTION | | | |
|--------------|-------|---------------------|---------|-----------|--------------------------|---|----------------|---------------|---------------|
| AE-DL-KN-4 | | Zone | Lumens | % Fixture | Direct Light | Center Beam Fc | | Beam Width | |
| Wattage | 25W | 0-20° | 1362.7 | 72.10 | | 1.7ft | 1936 fc | 1.0 ft | 1.0 ft |
| CCT | 3000K | 0-30° | 1785.57 | 94.40 | | 3.3ft | 514 fc | 2.0 ft | 2.0 ft |
| Distribution | 38° | 0-40° | 1830.81 | 96.80 | | 5.0ft | 224 fc | 3.0 ft | 3.0 ft |
| SIZE | 4" | 0-60° | 1841.53 | 97.40 | | 6.7ft | 125 fc | 4.0 ft | 4.0 ft |
| | | 0-80° | 1843.19 | 97.50 | | 8.3ft | 81.2 fc | 5.0 ft | 5.0 ft |
| | | 0-90° | 1843.6 | 97.50 | 10.0ft | 56 fc | 6.0 ft | 6.0 ft | |
| | | | | | | ■ Vert. Spread: 33.6° ■ Horiz. Spread: 33.3° | | | |

| PART NUMBER | | ZONAL LUMEN SUMMARY | | | POLAR LUMINOUS INTENSITY | CONE DISTRIBUTION | | | |
|--------------|-------|---------------------|---------|-----------|--------------------------|---|----------------|---------------|---------------|
| AE-DL-KN-4 | | Zone | Lumens | % Fixture | Direct Light | Center Beam Fc | | Beam Width | |
| Wattage | 25W | 0-20° | 937.16 | 49.00 | | 1.7ft | 1060 fc | 1.5 ft | 1.5 ft |
| CCT | 3000K | 0-30° | 1575.78 | 82.40 | | 3.3ft | 281 fc | 2.9 ft | 2.8 ft |
| Distribution | 55° | 0-40° | 1834.74 | 95.90 | | 5.0ft | 123 fc | 4.4 ft | 4.3 ft |
| SIZE | 4" | 0-60° | 1862.91 | 97.40 | | 6.7ft | 68.3 fc | 5.9 ft | 5.8 ft |
| | | 0-80° | 1865.02 | 97.50 | | 8.3ft | 44.5 fc | 7.3 ft | 7.1 ft |
| | | 0-90° | 1865.43 | 97.50 | 10.0ft | 30.6 fc | 8.8 ft | 8.6 ft | |
| | | | | | | ■ Vert. Spread: 47.5° ■ Horiz. Spread: 46.5° | | | |

LED COMMERCIAL DOWNLIGHT

Recessed Downlight | 4" Round & Square

OVERVIEW

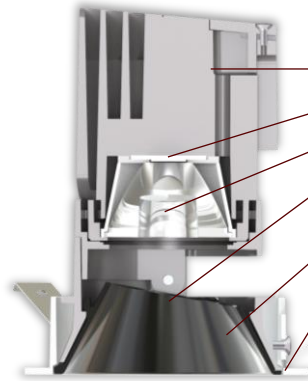


Innovative Design

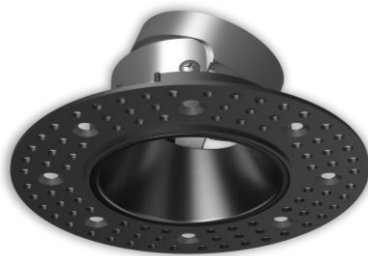
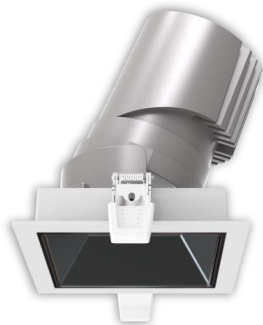
- Brushed metal housing.
- Improved design extends LED and driver lifespan.
- Stainless steel spring-action clips



Multiple Options



- Two powers 20W and 25W.
- Four CCT options.
- Variety of beam angles.
- Adjustable round/square, Fixed round reflector.
- Multiple reflector finishes.
- Round / square, Black / white trim and trimless options.



Accessories

- Honeycomb louvers and soft lens.
- New construction frame kit.
- Emergency back up battery.



Tests And Certifications



Optional

Emergency backup battery

