

# LAGO

eralux®

## OUTDOOR LED LIGHT

### ARCHITECTURAL WALL SCONCES | DIRECT- INDIRECT

The LAGO outdoor sconce features an elegant design, offering up and down lighting. With IP65 weatherproofing, it's built for durability. Its sleek, modern design and robust construction make it perfect for both aesthetic appeal and long-lasting performance in any outdoor setting.

Application: Commercial entrances | Outdoor landscapes | Facades | Residential Exteriors

	DATE	QTY	ACC. QTY	TYPE
PROJECT				
PN				
ACCESSORY PN				
NOTES				





#### DYNAMIC MENU

Order Information	<a href="#">Page 2</a>
Dimensions	<a href="#">Page 3</a>
Lumen Output	<a href="#">Page 4</a>
Photometric Data	<a href="#">Page 5</a>

[Install Instruction link](#)

#### SPECIFICATIONS

Input Voltage	120-277/347V
Power Factor	>0.9
Total Harmonic Distortion	<20%
Dimming	0-10V dimming
CRI	80 CRI
CCT	<div style="display: flex; gap: 10px;"> <div style="border: 1px solid black; border-radius: 50%; width: 20px; height: 20px; background-color: #fff9c4; display: flex; align-items: center; justify-content: center;">27K</div> <div style="border: 1px solid black; border-radius: 50%; width: 20px; height: 20px; background-color: #fff176; display: flex; align-items: center; justify-content: center;">30K</div> <div style="border: 1px solid black; border-radius: 50%; width: 20px; height: 20px; background-color: #bbdefb; display: flex; align-items: center; justify-content: center;">40K</div> <div style="border: 1px solid black; border-radius: 50%; width: 20px; height: 20px; background-color: #e1bee7; display: flex; align-items: center; justify-content: center;">50K</div> </div>
Efficacy	~90 lm/W
Power	8/12/16/20W
Ambient Temperature Range	-40°C to 50°C
Mounting Options	Wall Mount
Fixture Finish	Black   White   Bronze 
Controls	Integrated Photocell
Lens	Tempered Glass
Housing	Round   Square   Wave   Cloud   Arc
Protection	IP65; Water and Dust resistance 4kV Surge Protector
Distribution	Adjustable 0° - 100° direct/indirect 



#### PRODUCT FEATURES



#### PRODUCT CERTIFICATIONS



#### SYSTEM WARRANTY – 5 YEARS

Eralux will warrant defective drivers, LEDs and boards for 5 years from the date of purchase. This warranty is valid only if the fixture is installed and used as per installation guides and specifications. If a defect is present, Eralux will send drivers and boards at no fee with a thorough replacement instructions along with instructions on the return of the defective parts back to Eralux.

#### LUMEN MAINTENANCE – L80 at 50,000 hours

Rated for 80% initial lumen output at 50,000 hours of operation, operated at 25°C ambient temperature; per guidelines published by the Illuminating Engineering Society (IES).

## OUTDOOR LED LIGHT

ARCHITECTURAL WALL SCONCES | DIRECT- INDIRECT

### ORDERING GUIDE

<b>AE-WS-LGCA-</b>	<b>04-20W</b>		
AE-WS-LGCA- ERALUX LAGO Outdoor SCONCE	04-20W 4" Height  Power Switchable 8/12/16/20W  CCT Switchable 27/30/40/50K	-RC Round Cover -SC Square Cover -WC Wave Cover -AC Arc Cover -CC Cloud Cover	-WH White Powder Coat -BK Black Powder Coat -BZ Bronze Powder Coat
<b>FIXTURE FAMILY</b>	<b>POWER</b>	<b>COVER</b>	<b>FIINSH</b>

### NOTES

- LAGO has integrated photocell that can be switched on/off on field
- Light can be set Uni- or Bi-directional on field easily
- Allen Keys are provided with the fixture to facilitate the installation process.

### ORDERING GUIDE

<b>AE-WS-LGCA</b>		
AE-WS-LGCA ERALUX LAGO Outdoor SCONCE	-RC Round Cover -SC Square Cover -WC Wave Cover -AC Arc Cover -CC Cloud Cover	WH White Powder Coat BK Black Powder Coat BZ Bronze Powder Coat
<b>FIXTURE FAMILY</b>	<b>ACCESSORY</b>	<b>FINISH</b>

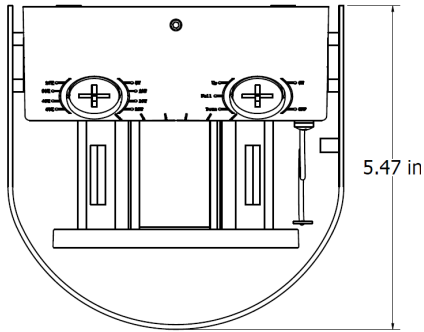
### NOTES

- Accessories can be ordered separately incase of on field changes required
- Check Page 6 to see the different cover configurations

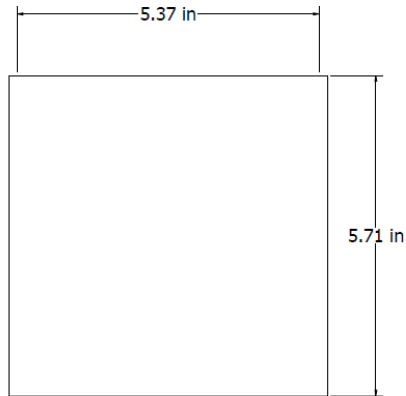
#### DIMENSIONS

AE-WS-LGCA-04-20W-RC-BK

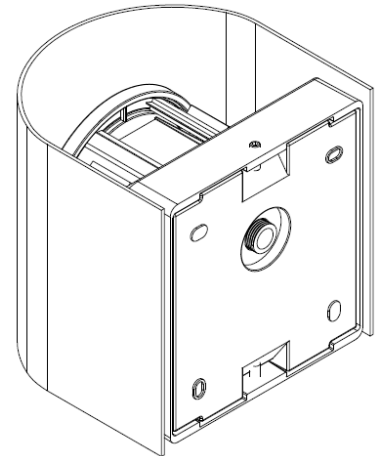
TOP VIEW



Front View

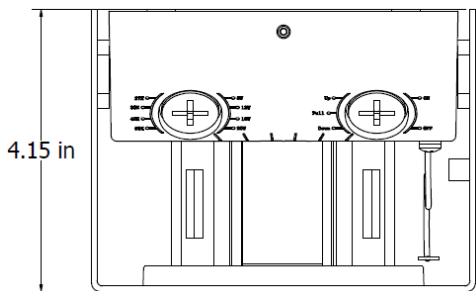


ISOMETRIC VIEW

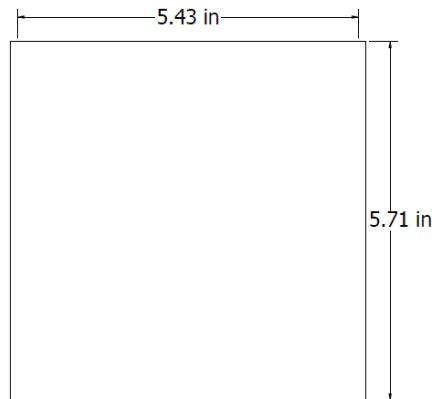


AE-WS-LGCA-04-20W-SQ-BK

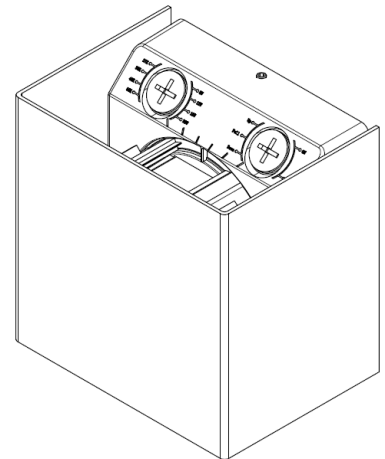
TOP VIEW



FRONT VIEW



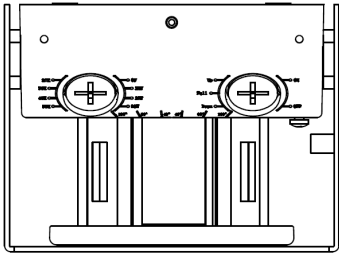
ISOMETRIC VIEW



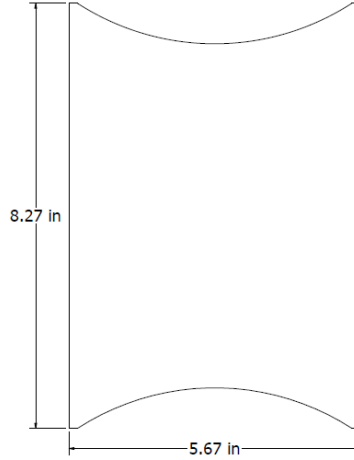
#### DIMENSIONS

**AE-WS-LGCA-04-20W-AC-BK**

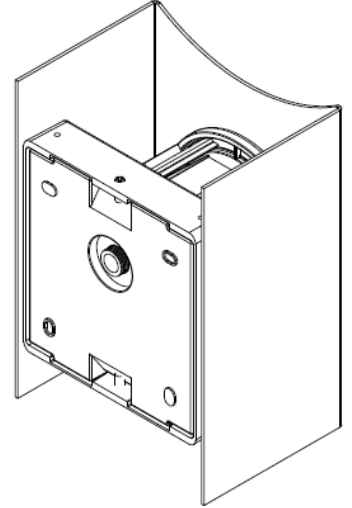
**TOP VIEW**



**Front View**

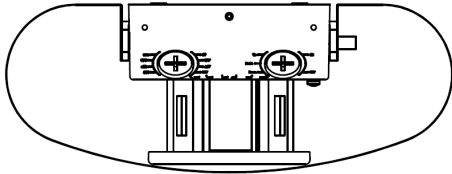


**ISOMETRIC VIEW**

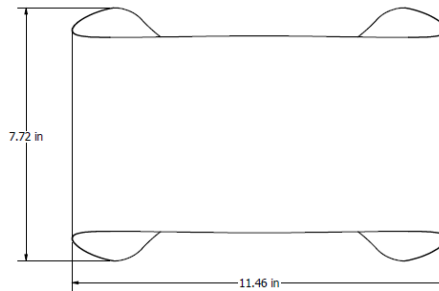


**AE-WS-LGCA-04-20W-CC-BK**

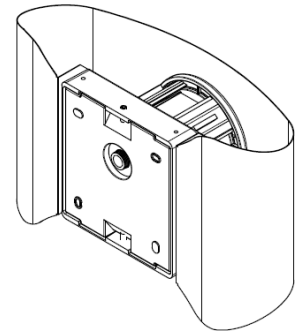
**TOP VIEW**



**FRONT VIEW**

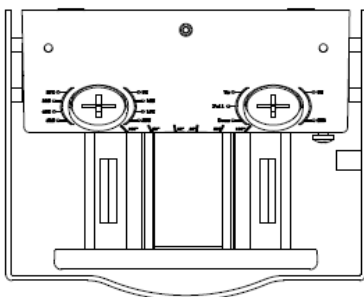


**ISOMETRIC VIEW**

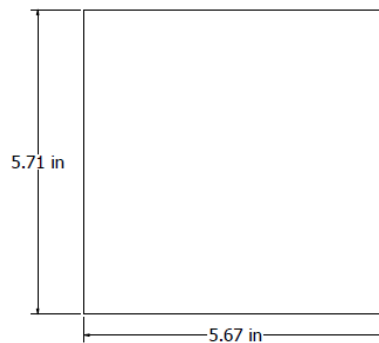


**AE-WS-LGCA-04-20W-WC-BK**

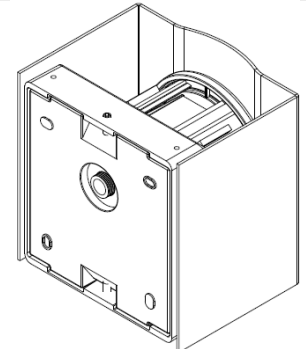
**TOP VIEW**



**FRONT VIEW**



**ISOMETRIC VIEW**



## OUTDOOR LED LIGHT

ARCHITECTURAL WALL SCONCES | DIRECT- INDIRECT

## LUMEN OUTPUT

Lumen output varies based on CCT and CRI. An estimate of lumen output of the various CCT/CRI combinations, use correction factors as per table below:

LUMEN ESTIMATE ADJUSTMENT FACTORS	
CCT	80CRI
2700K	0.8
3000K	1
4000K	1
5000K	0.9

AE-WS-LSGA-04-20W-XX-X (Power Set at 20W)		
CCT (K)	LUMENS (lms)	EFFICACY (lms/W)
2700	1500	75
3000	1800	90
4000	1800	90
5000	1600	80

AE-WS-LSGA-04-20W-XX-X (Power Set at 16W)		
CCT (K)	LUMENS (lms)	EFFICACY (lms/W)
2700	1200	75
3000	1440	90
4000	1440	90
5000	1280	80

AE-WS-LSGA-04-20W-XX-X (Power Set at 12W)		
CCT (K)	LUMENS (lms)	EFFICACY (lms/W)
2700	900	75
3000	1080	90
4000	1080	90
5000	960	80

AE-WS-LSGA-04-20W-XX-X (Power Set at 8W)		
CCT (K)	LUMENS (lms)	EFFICACY (lms/W)
2700	600	75
3000	720	90
4000	720	90
5000	640	80

## OUTDOOR LED LIGHT

WALL SCNCES | DIRECT- INDIRECT | CCT SWITCHABLE | POWER SWITCHABLE

### PHOTOMETRIC DATA

PART NUMBER		ZONAL LUMEN SUMMARY			POLAR LUMINOUS INTENSITY
AE-WS-LGCA-04-20W-X-XX		Zone	Lumens	% Fixture	Direct/Indirect
Wattage	20W	0-20°	28.61	22	
Distribution	20°	0-30°	42.41	32.7	
		0-40°	56.02	43.2	
		0-60°	64.84	50	
		0-80°	64.88	50	
		0-90°	64.88	50	

PART NUMBER		ZONAL LUMEN SUMMARY			POLAR LUMINOUS INTENSITY
AE-WS-LGCA-04-20W-X-XX		Zone	Lumens	% Fixture	Direct/Indirect
Wattage	20W	0-20°	120.09	23.8	
Distribution	40°	0-30°	187.84	37.2	
		0-40°	230.55	45.7	
		0-60°	251.63	49.8	
		0-80°	252.41	50	
		0-90°	252.45	50	

PART NUMBER		ZONAL LUMEN SUMMARY			POLAR LUMINOUS INTENSITY
AE-WS-LGCA-04-20W-X-XX		Zone	Lumens	% Fixture	Direct/Indirect
Wattage	20W	0-20°	149.09	12.4	
Distribution	80°	0-30°	319.73	26.7	
		0-40°	500.74	41.7	
		0-60°	597.32	49.8	
		0-80°	599.38	50	
		0-90°	599.73	50	

PART NUMBER		ZONAL LUMEN SUMMARY			POLAR LUMINOUS INTENSITY
AE-WS-LGCA-04-20W-X-XX		Zone	Lumens	% Fixture	Direct/Indirect
Wattage	20W	0-20°	153.21	9.7	
Distribution	100°	0-30°	328.83	20.8	
		0-40°	536.66	33.9	
		0-60°	784.11	49.6	
		0-80°	790.51	50	
		0-90°	791.08	50	

## OUTDOOR LED LIGHT

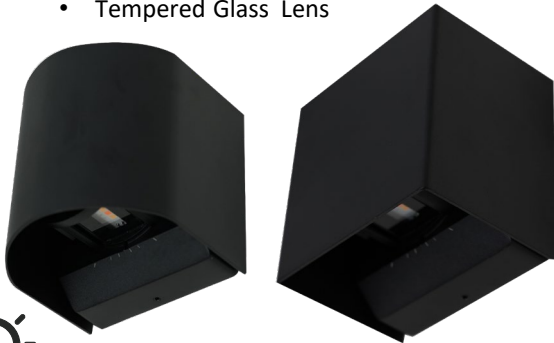
WALL SCNCES | DIRECT- INDIRECT | CCT SWITCHABLE | POWER SWITCHABLE

### OVERVIEW



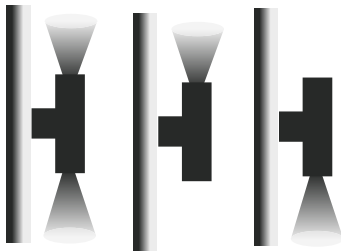
#### Innovative Design

- Die Casting Aluminum
- Tempered Glass Lens



#### Distribution

- 20° / 40° / 80° / 100°
- Bi-Directional / Uni-Directional upon request

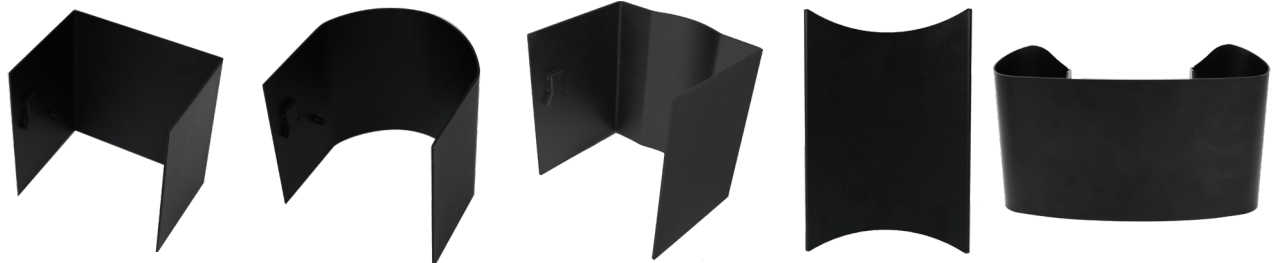


#### Mounting Available

- Wall mount



#### Tests And Certifications

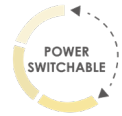


#### Multiple Options

- White/Black/Bronze Finish available
- Four CCTs selectable 27/30/40/50K
- Power Switchable ; 8/12/16/20W



Integrated Photocell



#### Accessories

- Integrated Photocell can be switched ON/OFF on field
- Interchangeable Covers ( Covers can be ordered separately)



#### Protection

- Protected against dust ingress
- Protected against water jets
- 4KV surge protector

