

LOKI 2

OUTDOOR LED LIGHT

Post Light | 100W | CCT & POWER SELECTABLE

The LOKI 2 is an addition to the Loki family, this Post Light enhances both security and aesthetic appeal for outdoor spaces such as gardens, parking lots, and parks. Its three-arm design adds stability and visual style. Designed for efficient outdoor lighting, LOKI 2 delivers up to 134 lm/W with selectable CCT and power, and features tool-less maintenance for versatile applications.

Applications: Landscapes | Parking | Park | Walkway | Garden

eralux®

| | DATE | QTY | ACC. QTY | TYPE |
|--------------|------|-----|----------|------|
| PROJECT | | | | |
| PN | | | | |
| ACCESSORY PN | | | | |
| NOTES | | | | |



DYNAMIC MENU

| | |
|-------------------|------------------------|
| Order Information | Page 2 |
| Dimensions | Page 3 |
| Controls | Page 4 |
| Photometric Data | Page 5 |

[Install Instruction link](#)

SPECIFICATIONS

| | |
|---------------------------|---|
| Input Voltage | 120-277/347V |
| Power Factor | >0.9 |
| Total Harmonic Distortion | <20% |
| CRI | 80 CRI |
| CCT | <div style="display: flex; gap: 10px;"> <div style="border: 1px solid black; border-radius: 50%; width: 20px; height: 20px; background-color: #fff9c4; display: flex; align-items: center; justify-content: center;">30K</div> <div style="border: 1px solid black; border-radius: 50%; width: 20px; height: 20px; background-color: #e0e0e0; display: flex; align-items: center; justify-content: center;">40K</div> <div style="border: 1px solid black; border-radius: 50%; width: 20px; height: 20px; background-color: #e0f7fa; display: flex; align-items: center; justify-content: center;">50K</div> </div> |
| Efficacy | ~134 lm/W |
| Power (W/lm) | 100/80/60 13400/10720/8040lm |
| Ambient Temperature Range | -40°C to 50°C |
| Mounting Options | Pole mount |
| Controls | Motion Sensor Photocell EMBB |
| Protection | IP65; water and dust resistance IK08; impact resistance Surge protection 20KV |
| Fixture Finish | Black White Silver <div style="display: flex; gap: 10px;"> <div style="width: 20px; height: 20px; background-color: black; border-radius: 50%;"></div> <div style="width: 20px; height: 20px; background-color: white; border-radius: 50%;"></div> <div style="width: 20px; height: 20px; background-color: silver; border-radius: 50%;"></div> </div> |
| Distribution | T2 T3 T5 |
| Glass Cover | Clear Frosted |



PRODUCT FEATURES



PRODUCT CERTIFICATIONS



SYSTEM WARRANTY – 5 YEARS

Eralux will warrant defective drivers, LEDs and boards for 5 years from the date of purchase. This warranty is valid only if the fixture is installed and used as per installation guides and specifications. If a defect is present, Eralux will send drivers and boards at no fee with a thorough replacement instructions along with instructions on the return of the defective parts back to Eralux.

LUMEN MAINTENANCE – L80 at 50,000 hours

Rated for 80% initial lumen output at 50,000 hours of operation, operated at 25°C ambient temperature; per guidelines published by the Illuminating Engineering Society (IES).

OUTDOOR LED LIGHT

Post Light | 100W | CCT & POWER SELECTABLE



ORDERING GUIDE

| | | | | | | |
|---|---|--|--|-----------------------------------|---|---|
| OD-LK-CA | -100 | -8TCP | | | | |
| OD-LK-CA ERALUX LOKI 2 Post Light 120-277/347V | -100 100/80/60W 13,400/10,720/8,040lm | -8TCP 80 CRI 30/40/50K Selectable | D No Dimming MS Motion Sensor P Photocell | [BLANK] Clear FR Frosted | -BK Black -WH White -SV Silver | -T2 Type 2 -T3 Type 3 -T5 Type 5 |

| | | | | | | |
|----------------|-------|-----------|---------|------|--------|--------------|
| Fixture Family | Power | CRI & CCT | Control | Lens | Finish | Distribution |
|----------------|-------|-----------|---------|------|--------|--------------|

NOTES

- Only T5 wit clear Glass is DLC premium



ORDERING GUIDE – DARKSKY COMPLIANT

| | | | | | | |
|---|---|----------------------------|--|-----------------------------------|---|---|
| OD-LK-CA | -100 | -8TCP-30K | | | | |
| OD-LK-CA ERALUX LOKI 2 Post Light 120-277/347V | -100 100/80/60W 13,400/10,720/8,040lm | -8TCP-30K 80 CRI 30K | D No Dimming MS Motion Sensor P Photocell | [BLANK] Clear FR Frosted | -BK Black -WH White -SV Silver | -T2 Type 2 -T3 Type 3 -T5 Type 5 |

| | | | | | | |
|----------------|-------|-----------|---------|------|--------|--------------|
| Fixture Family | Power | CRI & CCT | Control | Lens | Finish | Distribution |
|----------------|-------|-----------|---------|------|--------|--------------|

NOTES

- For the Dark Sky compliant the CCT will be fixed at 3000K at factory



DarkSky Approved
Commercial Luminaire

ORDERING GUIDE-ACCESSORIES

| | |
|---|---|
| LK-SIDE SHIELD | |
| LK-SIDE SHIELD ERALUX LOKI 2 Post Light Side Shield | -BK Black -WH White -SV Silver |

| | |
|----------------|--------|
| Fixture Family | Finish |
|----------------|--------|

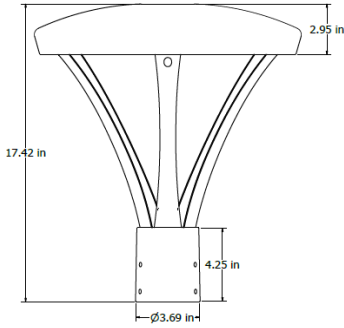
OUTDOOR LED LIGHT

Post Light | 100W | CCT & POWER SELECTABLE

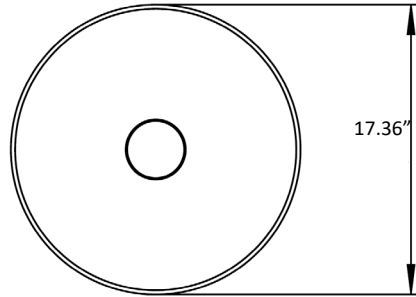
DIMENSIONS

OD-LK-CA-100-8-TCP

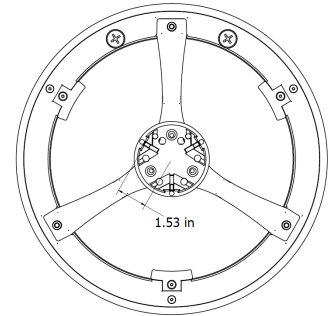
Side View



Top View

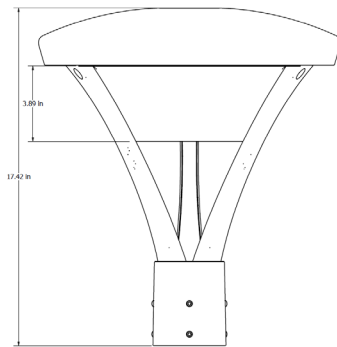


Pole Adapter

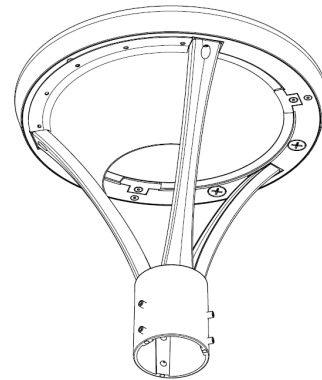


OD-LK-CA-100-8-TCP + Side Shield

Front View



Isometric View



Notes

- Maximum Pole Diameter allowed is 3 inches
- EPA rating : 1.62FT²

DARK SKY COMPLIANT

The fixture must be at 3000K CCT to be compliant with DARKSKY.

Contact factory to fix the CCT at 30K

Dark Sky Features

Restrict the amount of upward-Directed light

Reduce Glare

Reduce Light Pollution



DarkSky Approved
Commercial Luminaire

OUTDOOR LED LIGHT

Post Light | 100W | CCT & POWER SELECTABLE

CONTROLS

MOTION SENSOR/PHOTOCELL

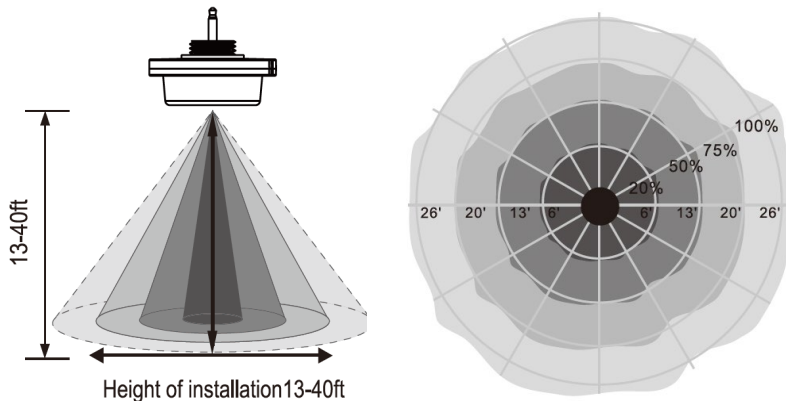
DESCRIPTION

- Plug in Microwave Motion sensor / IP65
 - Detects both motion and natural light
 - Remote control is ordered separately
-
- Plug in Photocell / IP65
 - Detects only natural light.

PICTURE



Microwave Motion Sensor



SPECIFICATION

| | |
|------------------|----------------------------|
| IP RATING | IP65 |
| DETECTION RADIUS | 20%/50%/75%/100%(1-8m) |
| MOUNTING HEIGHT | Max 40ft. (12meters) |
| LIGHT - CONTROL | 24H/1 0LUX/30LUX/50LUX |
| TEMPERATURE | -40°F~+158°F (-40°C~+?0°C) |

Photocell

SPECIFICATION

| | |
|---------------|----------------------------|
| IP RATING | IP65 |
| LIGHT-CONTROL | 10-20Lx On /30-80Lx Off |
| TEMPERATURE | -40°F~+158°F (-40°C~+?0°C) |

OUTDOOR LED LIGHT

Post Light | 100W | CCT & POWER SELECTABLE

B-U-G RATING – CLEAR GLASS

| POWER | DISTRIBUTION | B-U-G |
|-------|--------------|----------|
| 60W | T2 | B2-U0-G2 |
| | T3 | B3-U0-G1 |
| | T5 | B3-U0-G1 |
| 80W | T2 | B3-U0-G2 |
| | T3 | B3-U0-G2 |
| | T5 | B3-U0-G1 |
| 100W | T2 | B3-U0-G2 |
| | T3 | B3-U0-G2 |
| | T5 | B3-U0-G2 |

B-U-G RATING – FROSTED GLASS

| POWER | DISTRIBUTION | B-U-G |
|-------|--------------|----------|
| 60W | T2 | B3-U0-G2 |
| | T3 | B2-U0-G1 |
| | T5 | B2-U0-G1 |
| 80W | T2 | B3-U0-G2 |
| | T3 | B3-U0-G2 |
| | T5 | B3-U0-G2 |
| 100W | T2 | B3-U0-G3 |
| | T3 | B3-U0-G2 |
| | T5 | B3-U0-G2 |



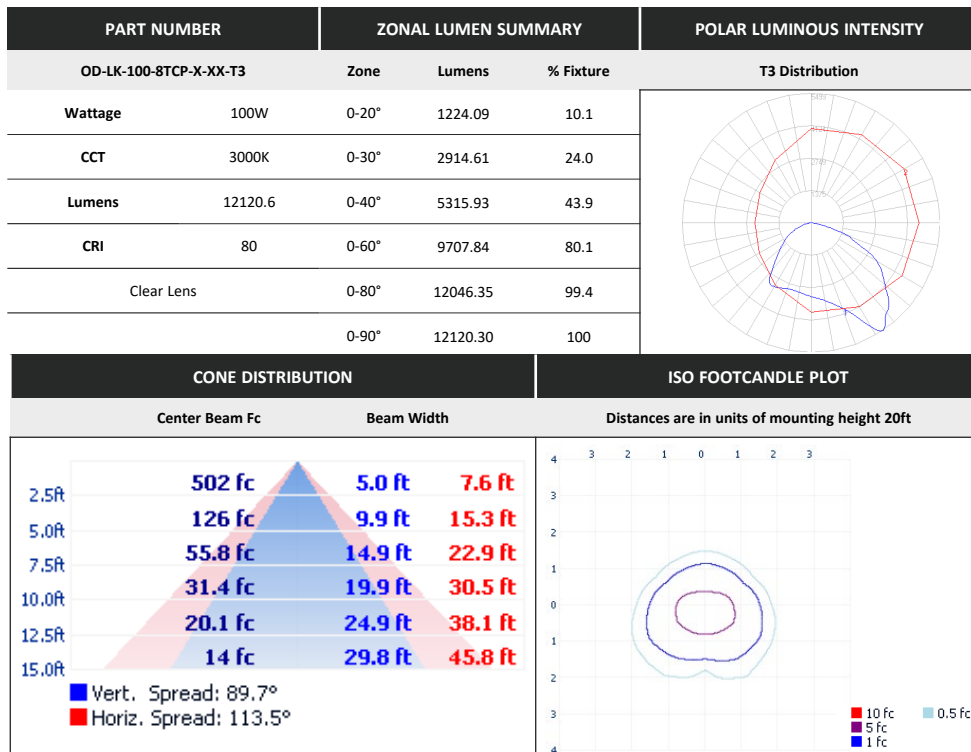
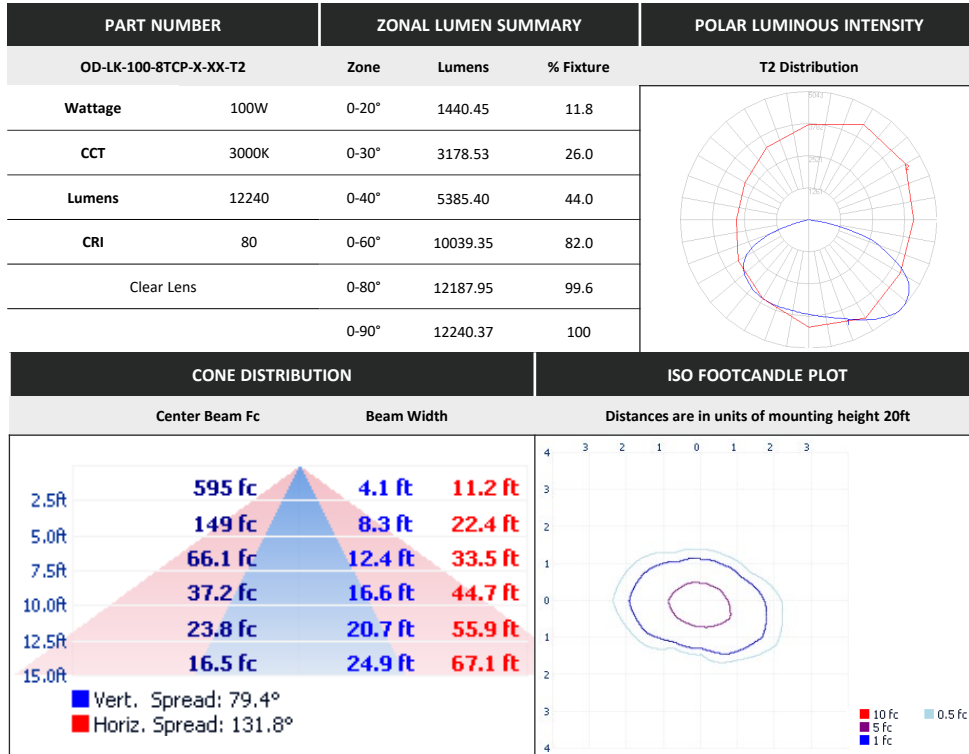
DLC

| DLC MODEL | PRODUCT ID | Primary Use | Classification |
|-------------------------------|------------|--|----------------|
| OD-LK-CA-100-8TCP-XX-YY-ZZ-AA | S-9QKNV5 | Outdoor Pole/Arm-Mounted Area and Roadway Luminaires | Premium |
| OD-LK-CA-100-8TCP-XX-YY-ZZ-T2 | S-ZJG1F9 | | Premium |
| OD-LK-CA-100-8TCP-XX-YY-ZZ-T3 | S-2TGQW6 | | Premium |

OUTDOOR LED LIGHT

Post Light | 100W | CCT & POWER SELECTABLE

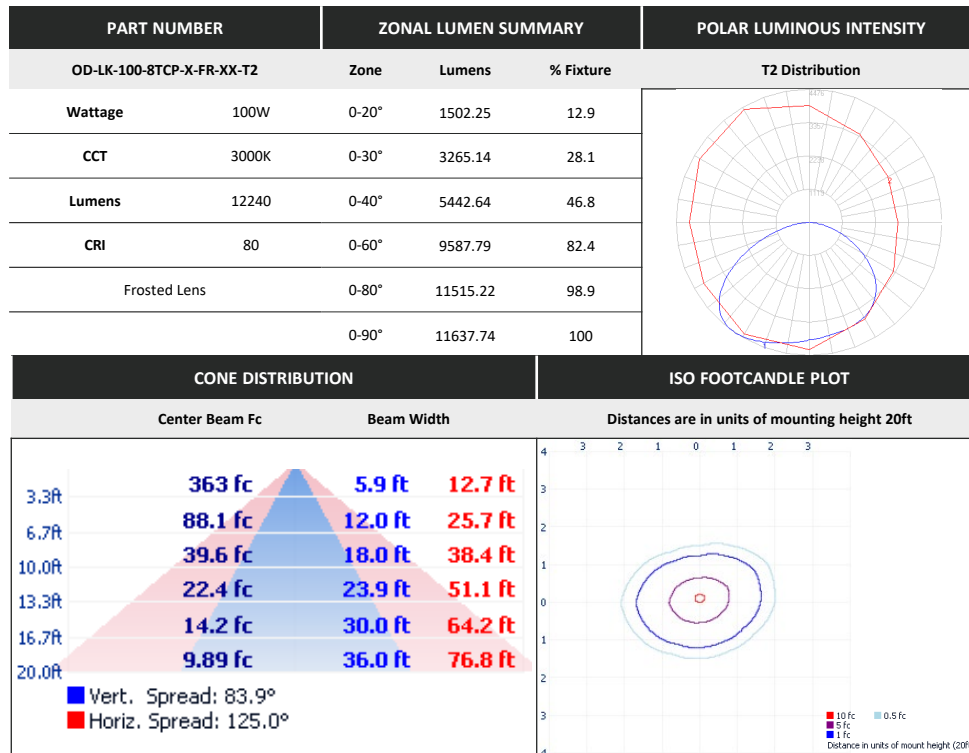
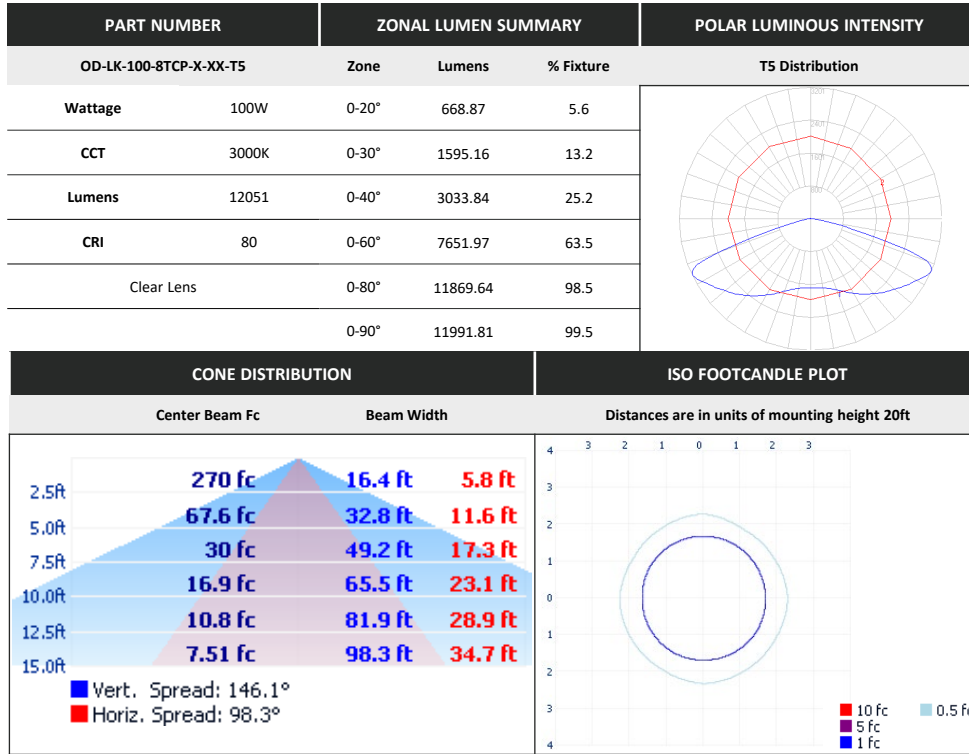
PHOTOMETRIC DATA



OUTDOOR LED LIGHT

Post Light | 100W | CCT & POWER SELECTABLE

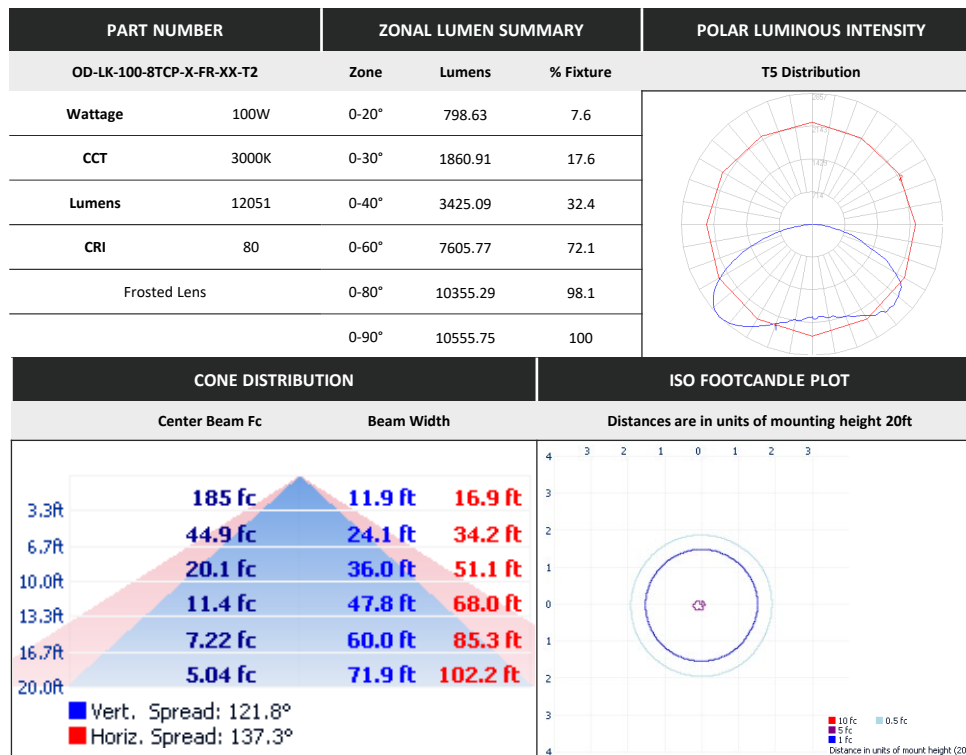
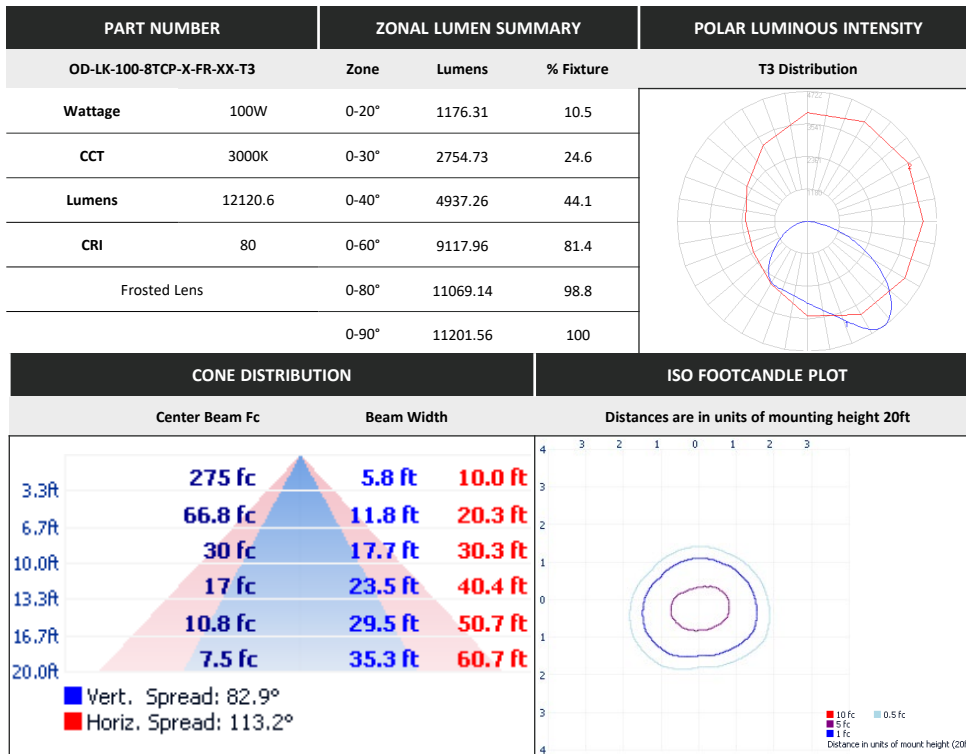
PHOTOMETRIC DATA



OUTDOOR LED LIGHT

Post Light | 100W | CCT & POWER SELECTABLE

PHOTOMETRIC DATA



OUTDOOR LED LIGHT

Post Light | 100W | CCT & POWER SELECTABLE

OVERVIEW



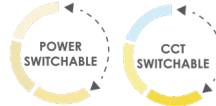
Innovative Design

- Aluminum die cast housing and fins for better heat dissipation



Multiple Options

- CCT Switchable ; 30/40/50K
- Black, White & Silver finish
- Power Switchable ; 100/80/60W



Mounting

- Tri-Arm mount



Dark Sky

- Dark sky compliance with 3000K CCT and black finish
- Limited upward-directed light



DarkSky Approved
Commercial Luminaire



Protection

- Protected against dust ingress.
- Protected against water jets
- Impact resistant
- 20KV surge protector



Surge Protector



Accessories

- Plug-in Motion sensor
- Plug-in Photocell
- Side Shield



Tests And Certifications



Motion Sensor

Photocell



DLC

| DLC MODEL | PRODUCT ID | Primary Use | Classification |
|-------------------------------|------------|--|----------------|
| OD-LK-CA-100-8TCP-XX-YY-ZZ-AA | S-9QKNV5 | Outdoor Pole/Arm-Mounted Area and Roadway Luminaires | Premium |
| OD-LK-CA-100-8TCP-XX-YY-ZZ-T2 | S-ZJG1F9 | | Premium |
| OD-LK-CA-100-8TCP-XX-YY-ZZ-T3 | S-2TGQW6 | | Premium |