

LOKI

OUTDOOR LED LIGHT

Post Light | Multiple Mountings

The LOKI Post Light enhances both security and aesthetic appeal for outdoor spaces like gardens, parking lots, and parks. Its twin strut design adds stability and visual style. Designed for efficient outdoor lighting, LOKI delivers up to 150 lm/W with selectable CCT and power, and features tool-less maintenance for versatile applications. The Dark LOKI model includes a pre-installed shield for additional functionality.

Applications: Landscapes | Parking | Park | Walkway | Garden



	DATE	QTY	ACC. QTY	TYPE
PROJECT				
PN				
ACCESSORY PN				
NOTES				

DYNAMIC MENU

Order Information	Page 2
Dimensions	Page 3
Accessories	Page 4
Photometric Data	Page 9

[Install Instruction link](#)

SPECIFICATIONS

Input Voltage	120-347V			
Power Factor	>0.9			
Total Harmonic Distortion	<20%			
Dimming	0-10V dimming			
CRI	70 CRI			
CCT	30K 40K 50K			
Efficacy	~150 lm/W			
Power (W/lm)	60	45	30	18
	7800	5850	3900	2340
Ambient Temperature Range	-30°C to 50°C			
Mounting Options	Twin arm single arm Slip fitter Gooseneck mount Pendant mount Direct mount Surface mount			
Controls	Motion Sensor Photocell			
Protection	IP66; water and dust resistance IK08; impact resistance Surge protection 4KV line-line & 6KV line-earth			
Fixture Finish	Bronze 			
Distribution	Type 5 (150X150°)			



PRODUCT FEATURES



PRODUCT CERTIFICATIONS



SYSTEM WARRANTY – 5 YEARS

Eralux will warrant defective drivers, LEDs and boards for 5 years from the date of purchase. This warranty is valid only if the fixture is installed and used as per installation guides and specifications. If a defect is present, Eralux will send drivers and boards at no fee with a thorough replacement instructions along with instructions on the return of the defective parts back to Eralux.

LUMEN MAINTENANCE – L90 at 43,000 hours

Rated for 90% initial lumen output at 43,000 hours of operation, operated at 25°C ambient temperature; per guidelines published by the Illuminating Engineering Society (IES).

OUTDOOR LED LIGHT

Post Light | Multiple Mountings



ORDERING GUIDE

AE-OD-ST40	-060	-TCP			
<p>AE-OD-ST40 ERALUX Loki Top Post Light Fixture</p>	<p>-060 18/30/45/60W 2340/3900/5850/7800 lm</p>	<p>-TCP 3000K/4000K/5000K Switchable</p>	<p>-010 0-10V dimming -PC Photocell -MS Motion Sensor</p>	<p>-TA Twin arm -SA Single arm -SUS Pendant mount Bracket -GN Gooseneck mount bracket -SMT Surface mount bracket -SF Slip fitter -DI Direct mount bracket</p>	<p>-BZ RAL8019 Bronze</p>
Fixture Family	Power	CCT	Control	Mounting	Finish

OUTDOOR LED LIGHT

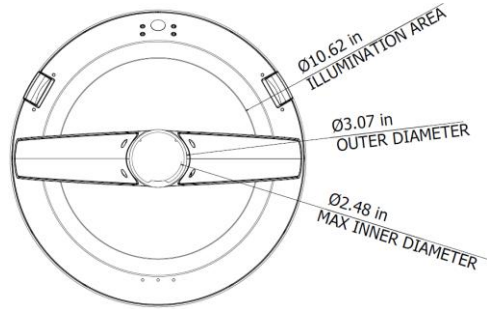
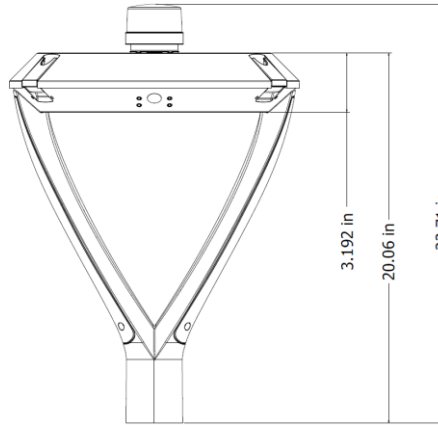
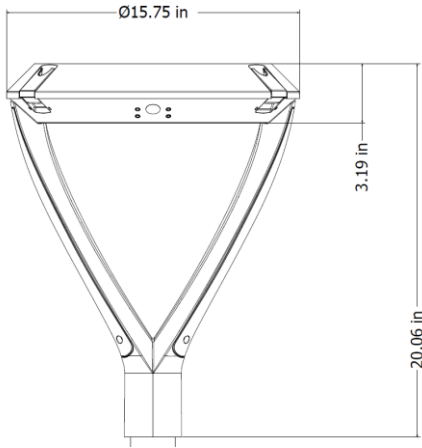
Post Light | Multiple Mountings

DIMENSIONS - FIXTURE

LOKI POST TOP

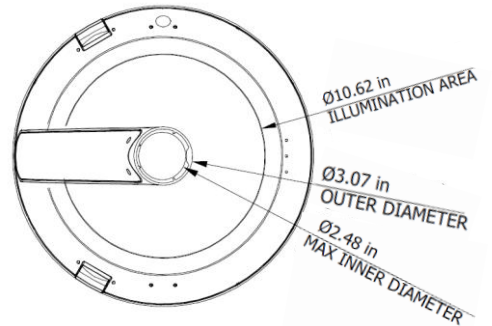
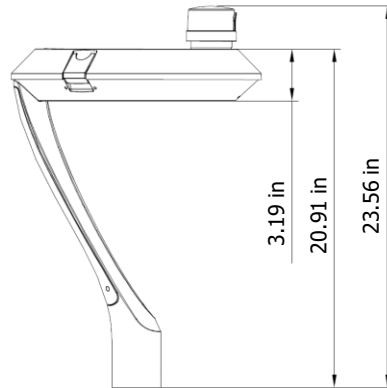
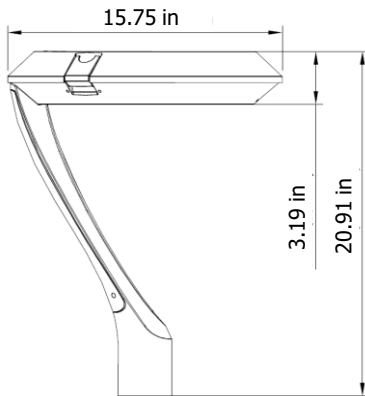
AE-OD-ST40-060-TCP-010-TA-XX

AE-OD-ST40-060-TCP-PC-TA-XX



AE-OD-ST40-060-TCP-010-TA-XX

AE-OD-ST40-060-TCP-PC-TA-XX



OUTDOOR LED LIGHT

Post Light | Multiple Mountings

MOUNTING BRACKETS

TWIN ARM

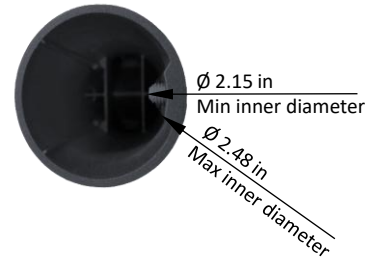
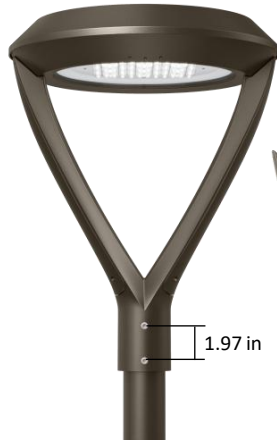
Description

Pictures



Dimensions

For more artistic and modern look, you can choose the Twin arm mounting option. This choice can be installed in the middle of two walkways or at an intersection.



SINGLE ARM

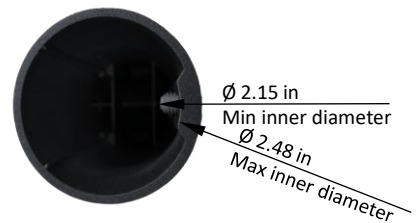
Description

Pictures



Dimensions

The single arm gives more futuristic and unique look. This choice can be installed on the side of walkways.



OUTDOOR LED LIGHT

Post Light | Multiple Mountings

MOUNTING BRACKETS

PENDANT MOUNT BRACKET

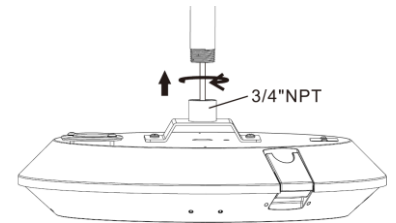
Description

Pictures



Dimensions

Loki can also be suspended by a 3/4 inch pole for projects where a ground pole isn't an option.



GOOSENECK MOUNT

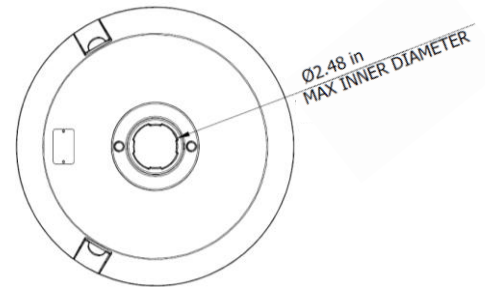
Description

Pictures



Dimensions

Another mounting option is the Gooseneck mount on 2.36-inch pole as shown in the image.



SURFACE MOUNT

Description

Pictures

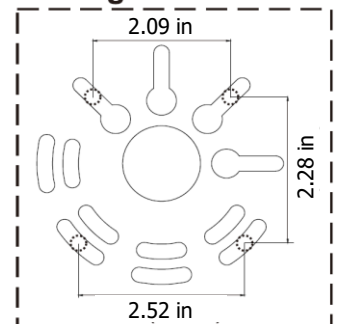


Dimensions

Loki can be surface mount in outdoor applications with higher canopy ceilings.



Drilling distance:



OUTDOOR LED LIGHT

Post Light | Multiple Mountings

MOUNTING BRACKETS

SLIP FITTER

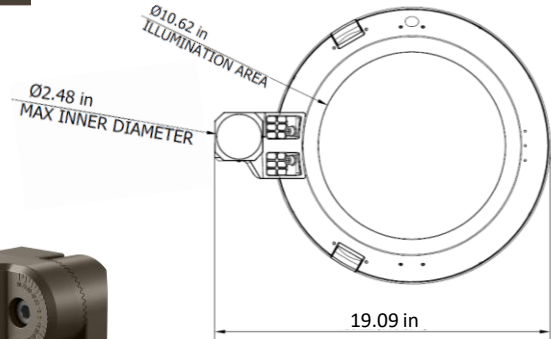
Description

Pictures



Dimensions

Using the adjustable slip fitter, it can be installed on a top post, or side entry mount of up to 2.48-inch diameter. The slip fitter allows you to rotate the fixture 180 degree.



DIRECT BRACKET

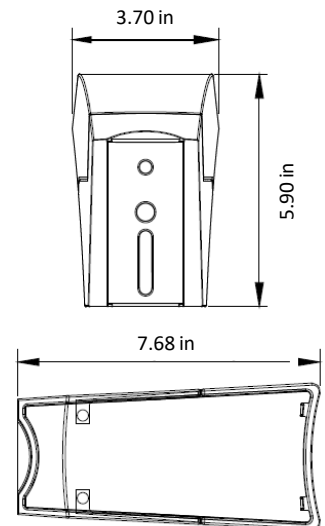
Description

Pictures



Dimensions

The direct bracket for Loki can be installed on wall, 2.91-inches square pole, and 3-inches round pole



OUTDOOR LED LIGHT

Post Light | Multiple Mountings

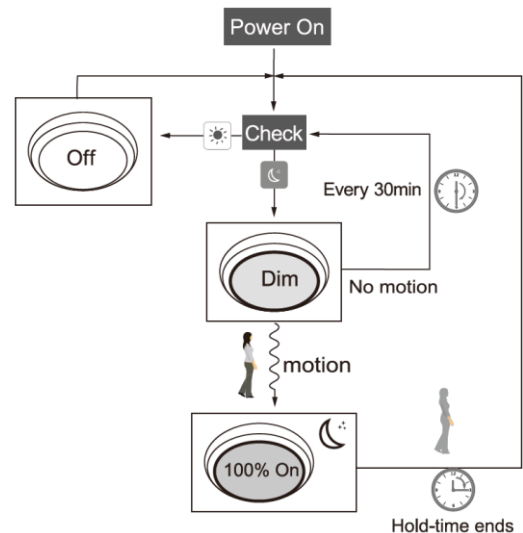
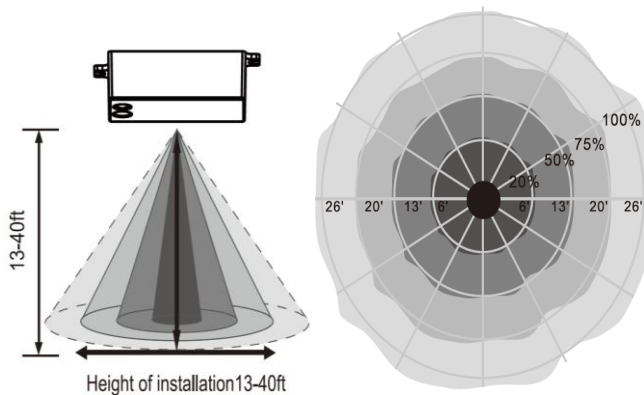
ACCESSORIES

ACCESSORIES	ORDERING CODE
REMOTE CONTROL	AE-OD-ST40-ACC-RMT
MOTION SENSOR	AE-OD-ST40-ACC-MOTION SENSOR

Microwave Motion Sensor



Parameters	
Input voltage	12-24 VDC
Dimming	0-10V
Transmission power	<0.2mW
Operating temperature	-40°C to 70°C
Mounting height	13-40 ft
Remote range	50 ft
Detection radius	26 ft
Factory setting	<ul style="list-style-type: none"> Sensitivity 100% Hold Time: 30 min Stand-by Period: 1 min Stand-by dim level: 30% Daylight Sensor: Disable



OUTDOOR LED LIGHT

Post Light | Multiple Mountings

Photocell

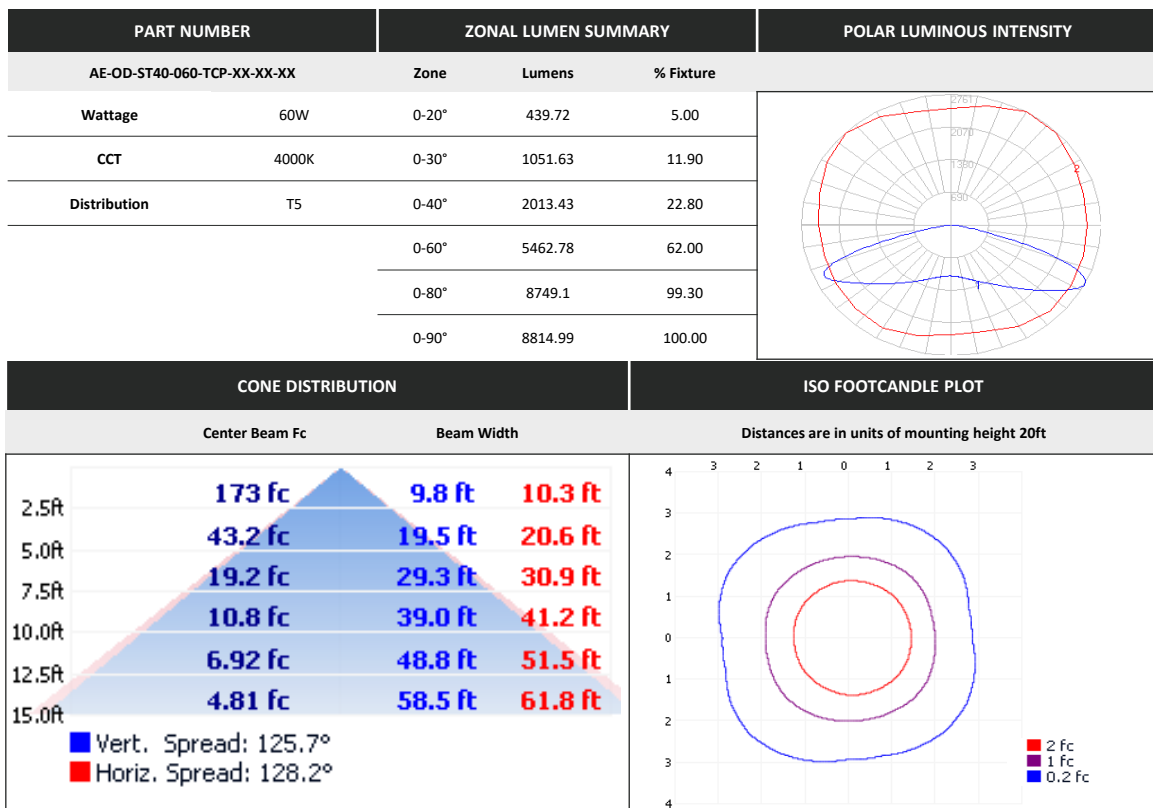
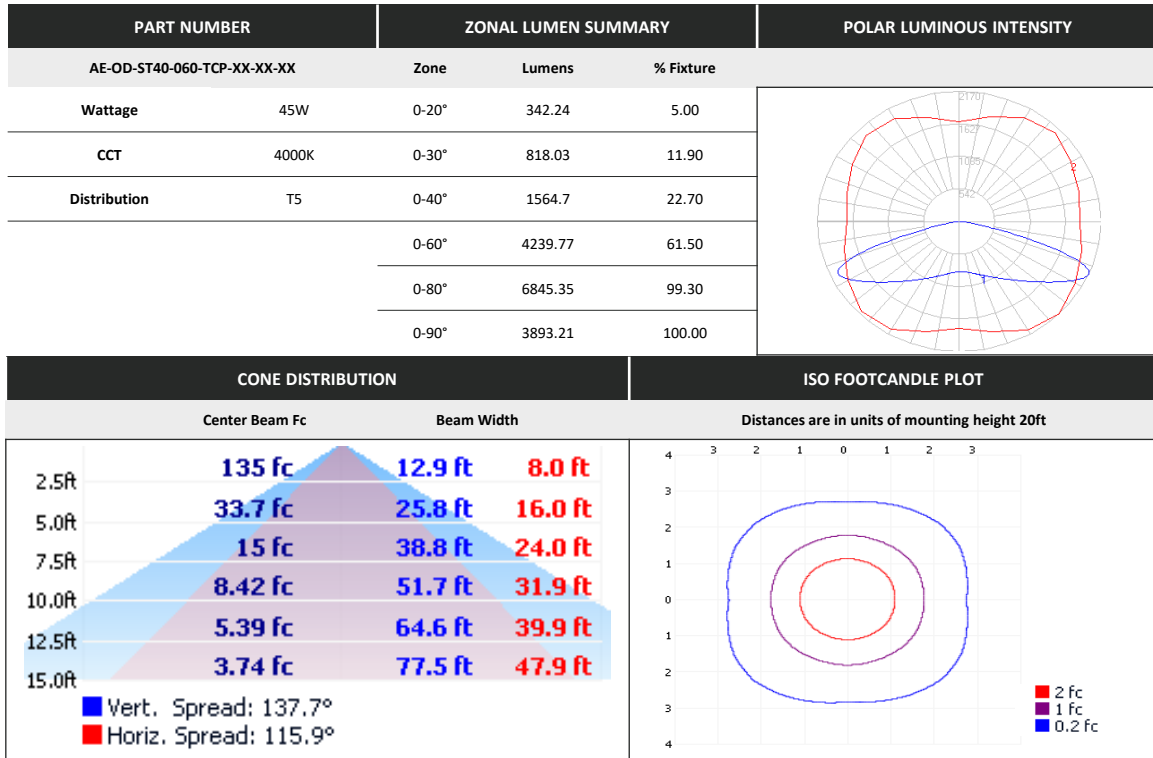
- It controls the fixture to turn on when there is no nature light, and off when there is daylight.



OUTDOOR LED LIGHT

Post Light | Multiple Mountings

PHOTOMETRIC DATA



OUTDOOR LED LIGHT

Post Light | Multiple Mountings

OVERVIEW



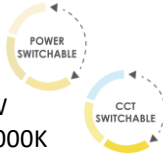
Innovative Design

- Contemporary design with smooth housing without exposed screws.
- Easy maintenance fixture with no tools required to open it.



Multiple Options

- Power tunable 18/30/45/60W
- CCT switchable 3000/4000/5000K



Protection



- Protected against dust ingress.
- Protected against water jets
- Impact resistant



Accessories

- Motion sensor
- Photocell
- Side shield



Motion Sensor



Photocell



Mountings Available

- Twin arm
- Single arm
- Pendant mount
- Gooseneck mount
- Slip fitter
- Direct mount
- Surface mount



Tests And Certifications

