



LUMINA T

INDUSTRIAL FIXTURES

Round High Bay

The Lumina T Series industrial luminaire is made of robust materials that can withstand tough environments. Its high lumen efficacy and various power and CCT variations allow it to stand out. The Lumina series comes standard with IP65 making it the prime solution for harsh conditions environment.

DATE	
PROJECT NAME	
TYPE	
QTY	
ORDERING CODE	AE-IL-LMT -500W -3050 -BK

OPERATING & ELECTRICAL

INPUT VOLTAGE	120-347V
POWER FACTOR	0.9
DIMMING	0-10V
TOTAL HARMONIC DISTORTION (THD)	<20%

PERFORMANCE

LUMENS PER WATT	~150 LPW at 80CRI
POWER	500/400/300W
BEAM ANGLE	90°

MECHANICAL & HOUSING

HOUSING	Unique cold forged magnesium aluminum alloy for superior heat dissipation and radiation, strength, and rigidity. Active cooling heatsink.
LENS	Highly durable polycarbonate lens ensures and high transmittance Non-flicker, Anti-glare PC lens. Glass lens available.
FINISH	Black
POWER SUPPLY	Factory wired electronic LED driver
LED BOARD	Light emitted source

APPLICATION CONSIION

AMBIENT TEMPERATURE RANGE	-40 °C to 50°C
PROTECTION	IP65 rated

COMPATIBLE MOUNTING

MOUNTING	Hook mount
----------	------------

WARRANTY

SYSTEM WARRANTY – 5 YEARS

Eralux will warrant defective drivers, LEDs and boards for 5 years from the date of purchase. This warranty is valid only if the fixture is installed and used as per installation guides and specifications. If a defect is present, Eralux will send drivers and boards at no fee with a thorough replacement instructions along with instructions on the return of the defective parts back to Eralux.

LUMEN MAINTENANCE – L70 at 100,000 hours

Rated for 70% initial lumen output at 100,000 hours of operation, operated at 25°C ambient temperature; per guidelines published by the Illuminating Engineering Society (IES).

Rated for 70% initial lumen output at 50,000 hours of operation, operated at 25°C ambient temperature; per guidelines published by the Illuminating Engineering Society (IES)



"DesignLights Consortium® (DLC) qualified product. Not all versions of this product may be DLC qualified. Please check the DLC Qualified Products List at www.designlights.org/QPL to confirm which versions are qualified"

DATE					
PROJECT NAME					
TYPE					
QTY					
ORDERING CODE	AE-IL-LMT		-500W	-	-3050 -BK

ORDERING GUIDE

EXAMPLE: AE-IL-LMTCA-500W-D-3050-CA

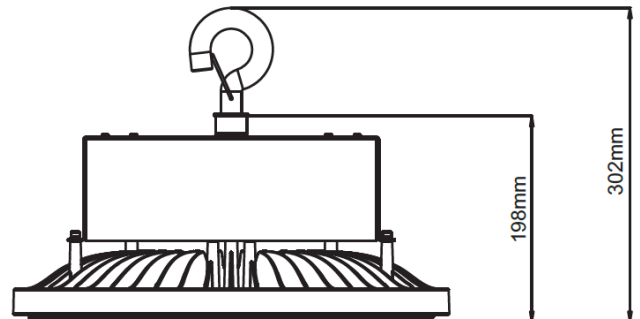
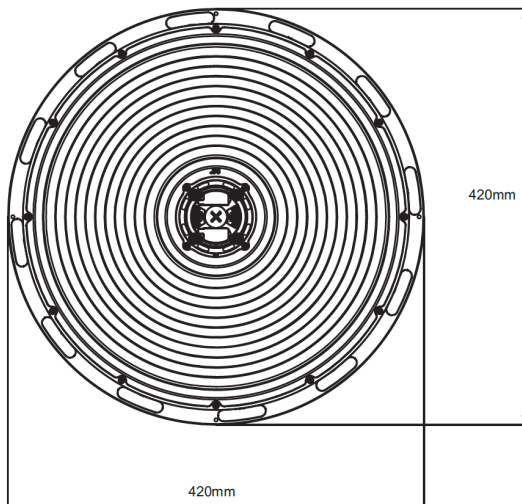
FIXTURE FAMILY	INPUT VOLTAGE	POWER	CONTROLS	CCT	FINISH
AE-IL-LMT		-500W	-	-3050	-BK
AE-IL-LMTCA ERALUX Lumina T industrial fixtures round high bay	-CA 120-347V input voltage	-500W Power switchable 300/400/50W Lumen Switchable 45000/60000/75000lm	-D 0-10V dimming	-3050 CCT Switchable 30/40/50K	-BK Black finish
	-HV 277-480V input voltage		-MS Microwave motion sensor		

*M10 Hook comes standard with the fixture.

** 4FT Power Cord and Dimming wires.

PRODUCT DIMENSIONS

AE-IL-LMT-300/400/500W-TCP-CA-D



LUMINA T

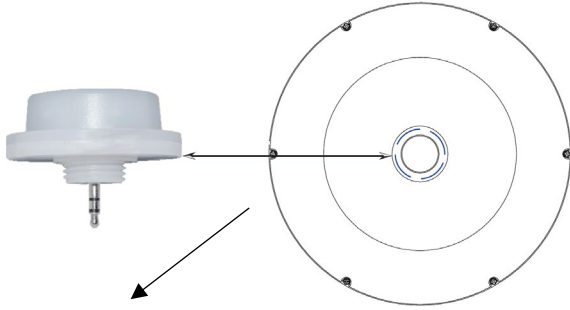
INDUSTRIAL FIXTURES

Round High Bay

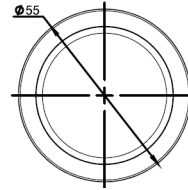
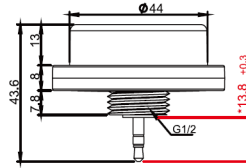
DATE				
PROJECT NAME				
TYPE				
QTY				
ORDERING CODE	AE-IL-LMT	-500W	-3050	-BK

MOTION SENSOR

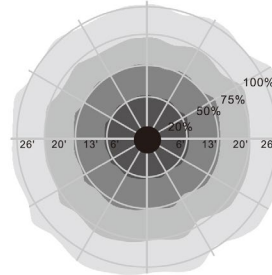
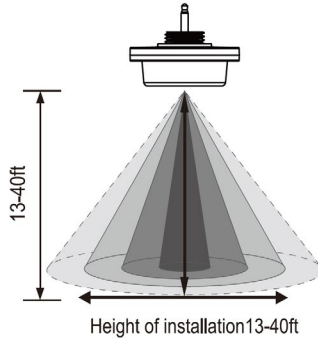
BI-LEVEL MICROWAVE



Audio-Jack Base

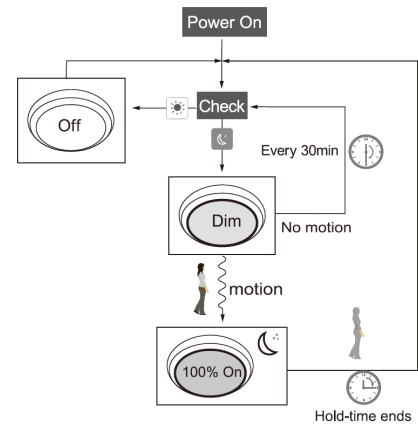


Area Coverage



Factory mode

Factory Default Setting	
Sensitivity	100%
Hold on time	5 min
Daylight Sensor	ON
Dimming level	30%
Dimming time	30 min



DATE	
PROJECT NAME	
TYPE	
QTY	
ORDERING CODE	AE-IL-LMT -500W -3050 -BK

LUMEN ESTIMATE

Lumen output varies based on CCT and CRI. An estimate of lumen output of the various CCT/CRI combinations, use correction factors as per table below:

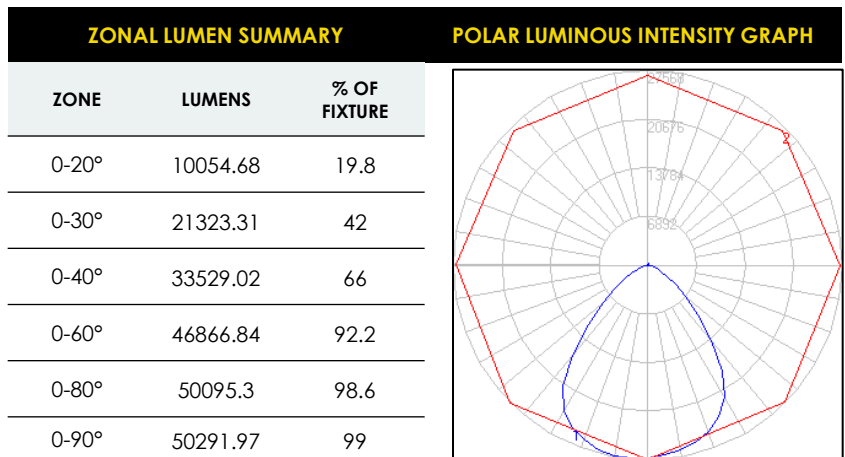
LUMEN ESTIMATE ADJUSTMENT FACTORS			
CCT	3000K	4000K	5000K
NORMAL (80CRI)	0.94	1	0.97

PHOTOMETRIC DATA

AE-IL-LMTCA-500W-D-3050-CA

300 WATTS

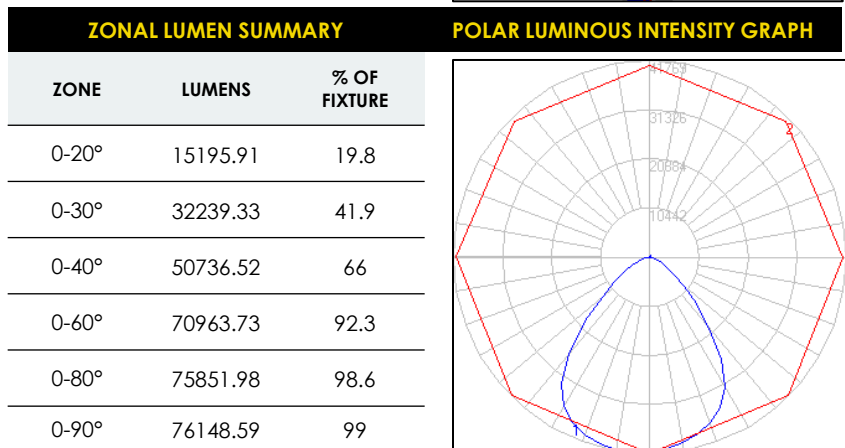
4000K CCT



AE-IL-LMTCA-500W-D-3050-CA

500 WATTS

4000K CCT



LUMINA T

INDUSTRIAL FIXTURES

Round High Bay

DATE						
PROJECT NAME						
TYPE						
QTY						
ORDERING CODE	AE-IL-LMT		-500W	-	-3050	-BK

DLC MODELS

DLC MODEL#	PRODUCT ID
AE-IL-LMTCA-500W-[DS;MS]-3050[WH;BK]	S-VKYRYW

OVERVIEW

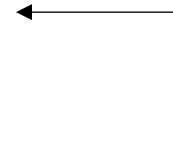
MOUNTING

Hook Mount option to make installation very simple.



PROTECTION

IP65 protection from low-pressure water jets.



PREMIUM MATERIALS

Aluminum alloy body coated with black anti-corrosion coating surface to better realize heat radiation and heat dissipation



ROBUST INDUSTRIAL APPLICATIONS

Switchable power options ranging up to 500 watts and 75000 lumens with switchable CCT 30/40/50K allow for wide jobsite flexibility.

