

LUMINA

INDUSTRIAL FIXTURES

Round High Bay



eralux®



The Lumina Series industrial luminaire is made of robust materials that can withstand tough environments. Its high lumen efficacy and various power and CCT variations allow it to stand out. The Lumina series comes standard with IP65, IK08 ratings making it the prime solution for harsh conditions environment.

DATE	
PROJECT NAME	
TYPE	
QTY	
ORDERING CODE	AE-IL-LM W- 8 - - G(120)-D

OPERATING & ELECTRICAL

INPUT VOLTAGE	100-277V, 277-480V
POWER FACTOR	0.9
DIMMING	0-10V
TOTAL HARMONIC DISTORTION (THD)	<20%

PERFORMANCE

LUMENS PER WATT	~150 LPW at 80CRI
POWER	320W
BEAM ANGLE	120°

MECHANICAL & HOUSING

HOUSING	Unique cold forged magnesium aluminum alloy for superior heat dissipation, strength, and rigidity.
LENS	Highly durable polycarbonate lens ensures and high transmittance lens. Glass lens available.
FINISH	Black
POWER SUPPLY	Factory wired electronic LED driver
LED BOARD	Light emitted source

COMPATIBLE MOUNTING

MOUNTING	Suspended, 3/4" NPT pole (with adapter)
----------	---

APPLICATION CONSIION

AMBIENT TEMPERATURE RANGE	-40 °C to 50°C
PROTECTION	IP65 rated, IK10 impact protection
CERTIFICATION	DLC Certified

WARRANTY

SYSTEM WARRANTY – 5 YEARS

Eralux will warrant defective drivers, LEDs and boards for 5 years from the date of purchase. This warranty is valid only if the fixture is installed and used as per installation guides and specifications. If a defect is present, Eralux will send drivers and boards at no fee with a thorough replacement instructions along with instructions on the return of the defective parts back to Eralux.



"DesignLights Consortium® (DLC) qualified product. Not all versions of this product may be DLC qualified. Please check the DLC Qualified Products List at www.designlights.org/QPL to confirm which versions are qualified"

LUMEN MAINTENANCE – L70 at 100,000 hours

Rated for 70% initial lumen output at 100,000 hours of operation, operated at 25°C ambient temperature; per guidelines published by the Illuminating Engineering Society (IES).

DATE	
PROJECT NAME	
TYPE	
QTY	
ORDERING CODE	AE-IL-LM W- 8 - - G(120)-D

ORDERING GUIDE

EXAMPLE: AE-IL-LM320W-840-UV-G(120)-D

FIXTURE FAMILY	POWER*	CRI	CRI & CCT	VOLTAGE	BEAM ANGLE*	DIMMING
AE-IL-LM	W- 8	8	-	-	G(120)-	D
AE-IL-LM ERALUX Lumina industrial fixtures round high bay	320W- 320 Watts: 48,000 lumens	8 Normal 80 CRI	40- 4000K CCT	UV- 100-277Vac input voltage range	G(120)- 120° beam angle	D 0-10V dimming
			50- 5000K CCT	HV- 277-480Vac input voltage range		

* are only available in 120° glass lens beam angles.

ACCESSORIES

Ordered separately, field installed

PENDANT MOUNT ADAPTER

AE-IL-LM-PENDANT

¾" NPT pendant mount adapter (M10 screw) – black finish

WIRE GUARD

AE-IL-LM-WG

Wire guard

REFLECTOR

AE-IL-LM-RFL-ALU-60

AE-IL-LM-RFL-ALU-90

AE-IL-LM-RFL-PC-70

60° aluminum reflector
 90° aluminum reflector
 70° polycarbonate reflector for up light reflection

BOTTOM LENS

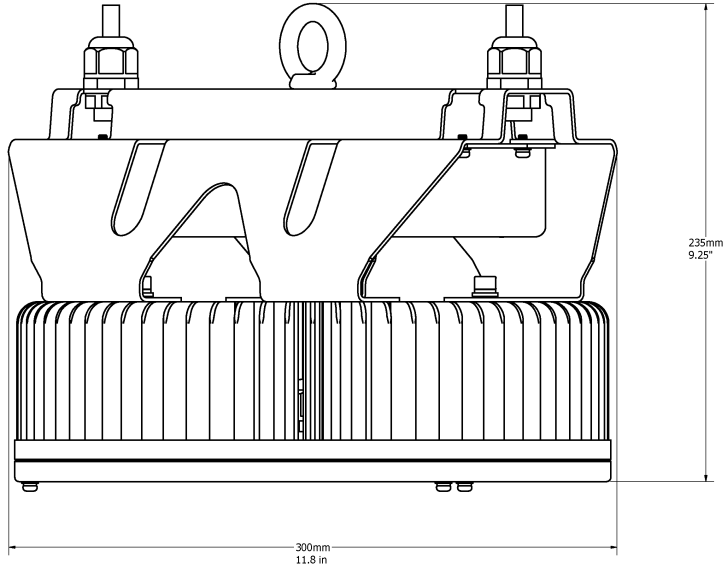
AE-IL-LM-BL

Bottom lens kit

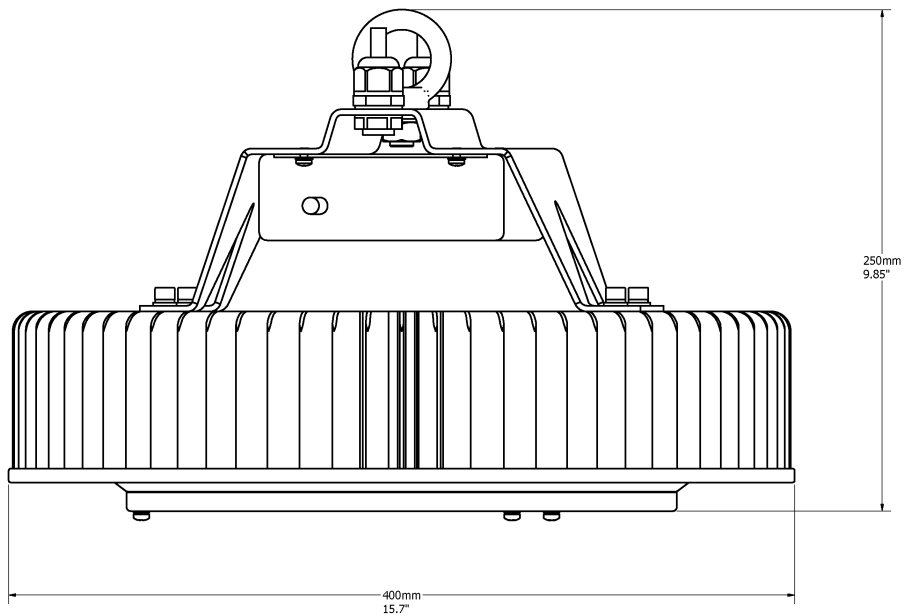
DATE					
PROJECT NAME					
TYPE					
QTY					
ORDERING CODE	AE-IL-LM	W-	8	-	- G(120)-D

PRODUCT DIMENSIONS

AE-IL-LM320W-8XX-UV-G(120)-D



AE-IL-LM480W-8XX-UV-G(120)-D



DATE	
PROJECT NAME	
TYPE	
QTY	
ORDERING CODE	AE-IL-LM W- 8 - - G(120)-D

LUMEN ESTIMATE

Lumen output varies based on CCT and CRI. An estimate of lumen output of the various CCT/CRI combinations, use correction factors as per table below:

LUMEN ESTIMATE ADJUSTMENT FACTORS				
CCT	3000K	3500K	4000K	5000K
NORMAL (80CRI)	0.94	0.97	1	1.03

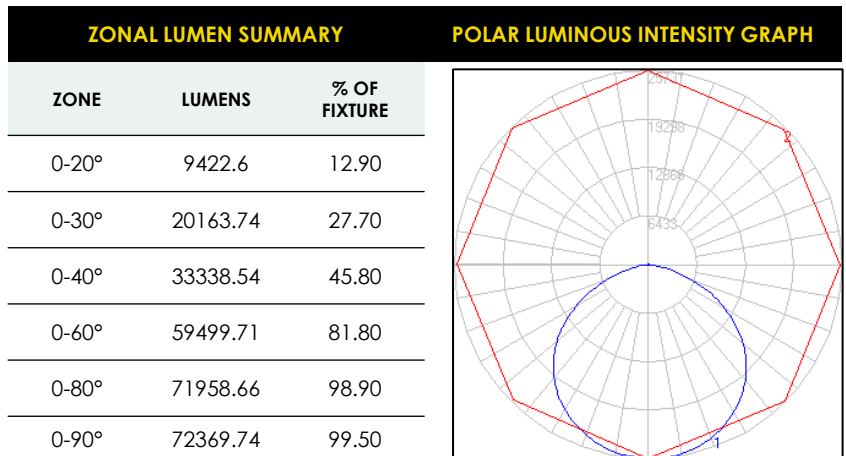
PHOTOMETRIC DATA

AE-IL-LM480W-840-UV-G(120)-D

.120 DEGREE

.480 WATTS

.4000K CCT

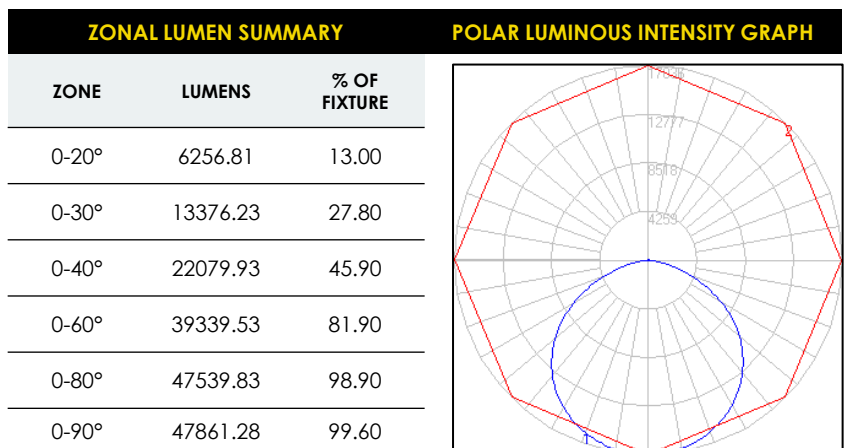


AE-IL-LM320W-850-UV-G(120)-D

.120 DEGREE

.320 WATTS

.5000K CCT



DATE					
PROJECT NAME					
TYPE					
QTY					
ORDERING CODE	AE-IL-LM	W-	8	-	G(120)-D

DLC MODELS

DLC MODEL	PRODUCT ID
AE-IL-LM320W-830-HV-G(120)-[L7-15P;L5-15P;5-15P;Blank]	S-8V3FIJ
AE-IL-LM320W-830-UV-G(120)-[L7-15P;L5-15P;5-15P;Blank]	S-AJCYYP
AE-IL-LM320W-840-HV-G(120)-[L7-15P;L5-15P;5-15P;Blank]	S-APNGY3
AE-IL-LM320W-840-UV-G(120)-[L7-15P;L5-15P;5-15P;Blank]	S-5I6OD9
AE-IL-LM320W-850-HV70-80-[L7-15P;L5-15P;5-15P;Blank]	S-09JP4M
AE-IL-LM320W-850-HV-G(120)-[L7-15P;L5-15P;5-15P;Blank]	S-GNJHY5
AE-IL-LM320W-850-UV-G(120)-[L7-15P;L5-15P;5-15P;Blank]	S-5VQWMZ
AE-IL-LM480W-830-HV-70-[L7-15P;L5-15P;5-15P;Blank]	S-C8R7Y4
AE-IL-LM480W-840-HV-70-[L7-15P;L5-15P;5-15P;Blank]	S-VIMC9R
AE-IL-LM480W-840-HV-70-[L7-15P;L5-15P;5-15P;Blank]	S-VIMC9R
AE-IL-LM480W-840-HV-UV-G(120)-[L7-15P;L5-15P;5-15P;Blank]	S-QRIK91
AE-IL-LM480W-840-UV-UV-G(120)-[L7-15P;L5-15P;5-15P;Blank]	S-E50GJU
AE-IL-LM480W-850-HV-70-[L7-15P;L5-15P;5-15P;Blank]	S-4QP58G
AE-IL-LM480W-850-HV-UV-G(120)-[L7-15P;L5-15P;5-15P;Blank]	S-A6Y31D
AE-IL-LM480W-850-UV-UV-G(120)-[L7-15P;L5-15P;5-15P;Blank]	S-QAYMTZ

DATE					
PROJECT NAME					
TYPE					
QTY					
ORDERING CODE	AE-IL-LM	W-	8	-	G(120)-D

ACCESSORIES (Continued)

Ordered separately, field installed

EMERGENCY LED DRIVER (BLD-UM60D/R-YYY)

BLD-UM60D/R-YYY

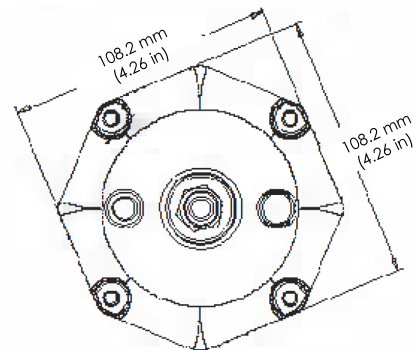
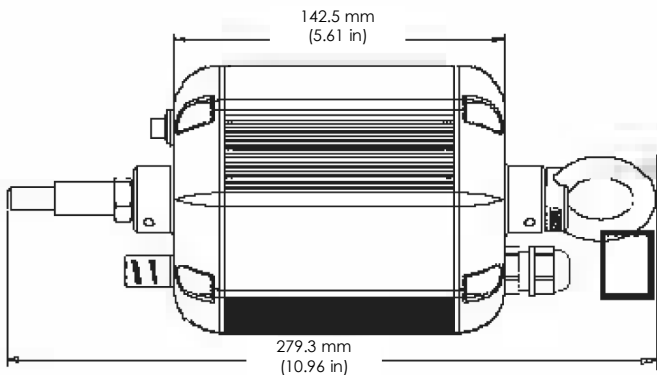
OUTPUT POWER : 60 WATTS



- Easy Wiring
- Certified For CA Title 20
- Constant Power Performance

BLD-UMXXX-YYY series LED Emergency Driver is UL listed for field and factory installation that allows the same LED fixture to be used for both normal and emergency operation. In the event of a power failure, the emergency driver switches to emergency mode and operates the fixture for to 90 minutes. The unit contains a battery, charge, and converter circuit in a single enclosure. This module will operate a LED array load at 30-60W with constant power at a rated output voltage of 170VDC. The constant power design of BLD-UMXXX-YYY maintains the output wattage to the LED array, providing consistent illumination for the entire emergency runtime. Ideal for use with most 0-10V dimmable indoor industrial LED lighting fixtures, such as LED flat panel, troffer, and suspension mounting UFOs lights, etc.

DIMENSIONS (inches and mm)



DATE					
PROJECT NAME					
TYPE					
QTY					
ORDERING CODE	AE-IL-LM	W-	8	-	G(120)-D

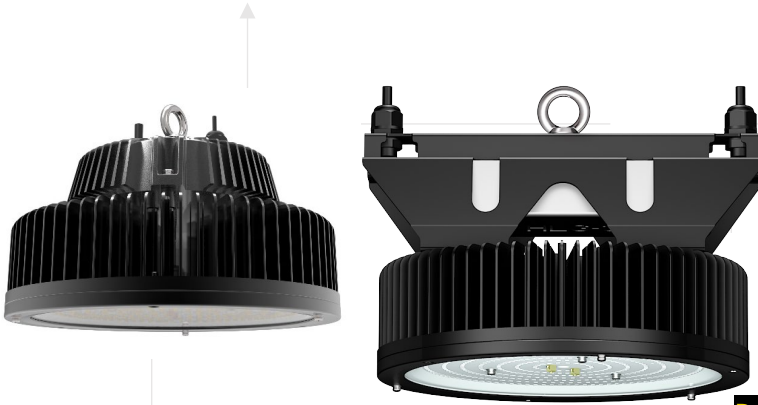
OVERVIEW

MULTIPLE ACCESSORIES

Hook or 3/4" NPT pole mount options and multiple reflector styles are available.

PROTECTION

IP65 protection from low-pressure water jets, IK10 rated against impacts.



PREMIUM MATERIALS

Constructed from cold-forged aluminum which enables superior thermal management while providing increased structural strength.

ROBUST INDUSTRIAL APPLICATIONS

Power options ranging up to 320 watts and 48000 lumens with multiple input voltage ranges up to 480V allow for wide jobsite flexibility.

