

# LUMINA

## INDUSTRIAL FIXTURES

Round High Bay



eralux®



The Lumina Series industrial luminaire is made of robust materials that can withstand tough environments. Its high lumen efficacy and various power and CCT variations allow it to stand out. The Lumina series comes standard with IP65, IK08 and NSF ratings making it the prime solution for harsh conditions environment.

|               |  |
|---------------|--|
| DATE          |  |
| PROJECT NAME  |  |
| TYPE          |  |
| QTY           |  |
| ORDERING CODE | AE-IL-LM    W- 8    -    -    G(120)-D |

### OPERATING & ELECTRICAL

|                                 |                    |
|---------------------------------|--------------------|
| INPUT VOLTAGE                   | 100-277V, 277-480V |
| POWER FACTOR                    | 0.9                |
| DIMMING                         | 0-10V              |
| TOTAL HARMONIC DISTORTION (THD) | <20%               |

### PERFORMANCE

|                 |                   |
|-----------------|-------------------|
| LUMENS PER WATT | ~150 LPW at 80CRI |
| POWER           | 320, 480W         |
| BEAM ANGLE      | 120°              |

### MECHANICAL & HOUSING

|              |  |
|--------------|--|
| HOUSING      | Unique cold forged magnesium aluminum alloy for superior heat dissipation, strength, and rigidity. |
| LENS         | Highly durable polycarbonate lens ensures and high transmittance lens. Glass lens available.       |
| FINISH       | Black  |
| POWER SUPPLY | Factory wired electronic LED driver  |
| LED BOARD    | Light emitted source   |

### COMPATIBLE MOUNTING

|          |   |
|----------|---|
| MOUNTING | Suspended, 3/4" NPT pole (with adapter) |
|----------|---|

### APPLICATION CONSION

|                           |                                    |
|---------------------------|------------------------------------|
| AMBIENT TEMPERATURE RANGE | -40 °C to 50°C                     |
| PROTECTION                | IP65 rated, IK10 impact protection |
| CERTIFICATION             | DLC Certified                      |

### WARRANTY

#### SYSTEM WARRANTY – 5 YEARS

Eralux will warrant defective drivers, LEDs and boards for 5 years from the date of purchase. This warranty is valid only if the fixture is installed and used as per installation guides and specifications. If a defect is present, Eralux will send drivers and boards at no fee with a thorough replacement instructions along with instructions on the return of the defective parts back to Eralux.



"Not all product variations listed on this page are DLC qualified with the LUNA designation. Visit <https://qpl.designlights.org/> to confirm qualification."

#### LUMEN MAINTENANCE – L70 at 100,000 hours

Rated for 70% initial lumen output at 100,000 hours of operation, operated at 25°C ambient temperature; per guidelines published by the Illuminating Engineering Society (IES).

|               |          |    |   |   |   |          |
|---------------|----------|----|---|---|---|----------|
| DATE          |          |    |   |   |   |          |
| PROJECT NAME  |          |    |   |   |   |          |
| TYPE          |          |    |   |   |   |          |
| QTY           |          |    |   |   |   |          |
| ORDERING CODE | AE-IL-LM | W- | 8 | - | - | G(120)-D |

## ORDERING GUIDE

EXAMPLE: AE-IL-LM320W-840-UV-G(120)-D

| FIXTURE FAMILY  | POWER*                                      | CRI                       | CRI & CCT               | VOLTAGE                                      | BEAM ANGLE*                       | DIMMING                   |
|---|---|---------------------------|-------------------------|--|-----------------------------------|---------------------------|
| <b>AE-IL-LM</b>   | <b>W-</b>                                   | <b>8</b>                  | <b>-</b>                | <b>-</b>                                     | <b>G(120)-</b>                    | <b>D</b>                  |
| <b>AE-IL-LM</b><br>ERALUX Lumina industrial fixtures round high bay | <b>320W-</b><br>320 Watts:<br>48,000 lumens | <b>8</b><br>Normal 80 CRI | <b>30-</b><br>3000K CCT | <b>UV-</b><br>100-277Vac input voltage range | <b>G(120)-</b><br>120° beam angle | <b>D</b><br>0-10V dimming |
|   |   |                           | <b>35-</b><br>3500K CCT |  |                                   |                           |
|   | <b>480W-</b><br>480 Watts:<br>72,000 lumens |                           | <b>40-</b><br>4000K CCT | <b>HV-</b><br>277-480Vac input voltage range |                                   |                           |
|   |   |                           | <b>50-</b><br>5000K CCT |  |                                   |                           |

\* 320W & 480W (Both UV and HV)

- are only available in 120° glass lens beam angles.

## ACCESSORIES

Ordered separately, field installed

### POLE MOUNT ADAPTER

AE-IL-PT-POLEMOUNT

¾" NPT pole mount adapter (M10 screw) – black finish

### WIRE GUARD

AE-IL-LM-WG

Wire guard

### REFLECTOR

AE-IL-LM-RFL-ALU-60

AE-IL-LM-RFL-ALU-90

AE-IL-LM-RFL-PC-70

60° aluminum reflector  
 90° aluminum reflector  
 70° polycarbonate reflector for up light reflection

### BOTTOM LENS

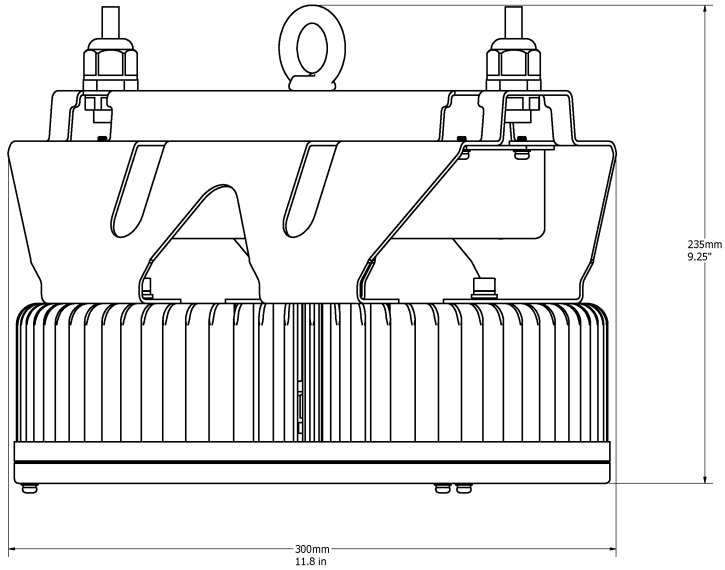
AE-IL-LM-BL

Bottom lens kit

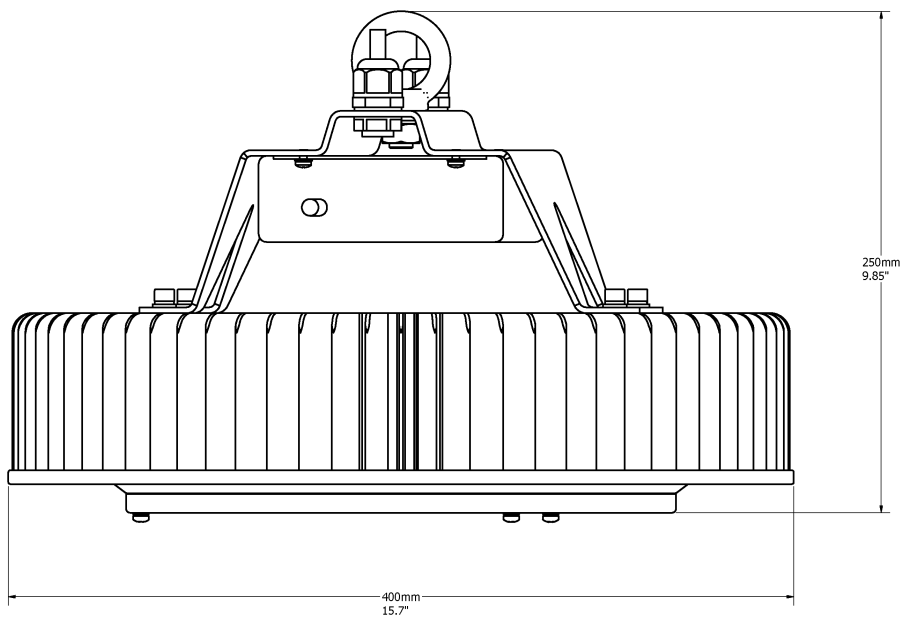
|               |          |    |   |   |            |
|---------------|----------|----|---|---|------------|
| DATE          |          |    |   |   |            |
| PROJECT NAME  |          |    |   |   |            |
| TYPE          |          |    |   |   |            |
| QTY           |          |    |   |   |            |
| ORDERING CODE | AE-IL-LM | W- | 8 | - | - G(120)-D |

## PRODUCT DIMENSIONS

AE-IL-LM320W-8XX-UV-G(120)-D



AE-IL-DM480W-8XX-UV-G(120)-D



|               |  |
|---------------|--|
| DATE          |  |
| PROJECT NAME  |  |
| <b>TYPE</b>   |  |
| QTY           |  |
| ORDERING CODE | AE-IL-LM    W- 8    -    -    G(120)-D |

## LUMEN ESTIMATE

Lumen output varies based on CCT and CRI. An estimate of lumen output of the various CCT/CRI combinations, use correction factors as per table below:

| LUMEN ESTIMATE ADJUSTMENT FACTORS |       |       |       |       |
|-----------------------------------|-------|-------|-------|-------|
| CCT                               | 3000K | 3500K | 4000K | 5000K |
| NORMAL (80CRI)                    | 0.94  | 0.97  | 1     | 1.03  |

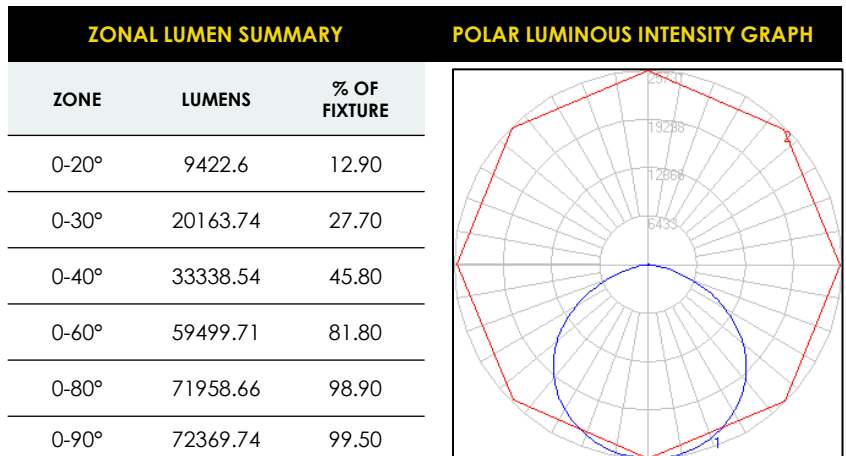
## PHOTOMETRIC DATA

AE-IL-LM480W-840-UV-G(120)-D

.120 DEGREE

.480 WATTS

.4000K CCT

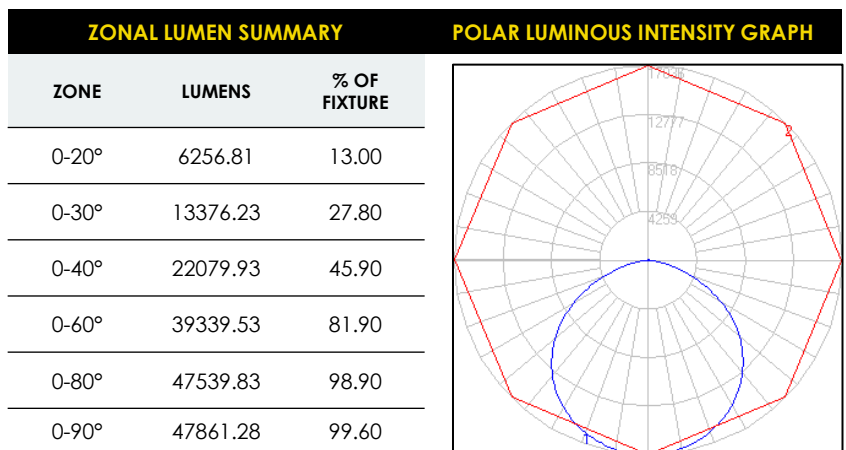


AE-IL-LM320W-850-UV-G(120)-D

.120 DEGREE

.320 WATTS

.5000K CCT



|               |          |    |   |   |   |          |
|---------------|----------|----|---|---|---|----------|
| DATE          |          |    |   |   |   |          |
| PROJECT NAME  |          |    |   |   |   |          |
| TYPE          |          |    |   |   |   |          |
| QTY           |          |    |   |   |   |          |
| ORDERING CODE | AE-IL-LM | W- | 8 | - | - | G(120)-D |

## DLC MODELS

| DLC MODEL   | PRODUCT ID |
|---|------------|
| AE-IL-LM320W-830-HV-G(120)-[L7-15P;L5-15P;5-15P;Blank]    | S-8V3FIJ   |
| AE-IL-LM320W-830-UV-G(120)-[L7-15P;L5-15P;5-15P;Blank]    | S-AJCYYP   |
| AE-IL-LM320W-840-HV-G(120)-[L7-15P;L5-15P;5-15P;Blank]    | S-APNGY3   |
| AE-IL-LM320W-840-UV-G(120)-[L7-15P;L5-15P;5-15P;Blank]    | S-5I6OD9   |
| AE-IL-LM320W-850-HV70-80-[L7-15P;L5-15P;5-15P;Blank]      | S-09JP4M   |
| AE-IL-LM320W-850-HV-G(120)-[L7-15P;L5-15P;5-15P;Blank]    | S-GNJHY5   |
| AE-IL-LM320W-850-UV-G(120)-[L7-15P;L5-15P;5-15P;Blank]    | S-5VQWMZ   |
| AE-IL-LM480W-830-HV-70-[L7-15P;L5-15P;5-15P;Blank]        | S-C8R7Y4   |
| AE-IL-LM480W-840-HV-70-[L7-15P;L5-15P;5-15P;Blank]        | S-VIMC9R   |
| AE-IL-LM480W-840-HV-70-[L7-15P;L5-15P;5-15P;Blank]        | S-VIMC9R   |
| AE-IL-LM480W-840-HV-UV-G(120)-[L7-15P;L5-15P;5-15P;Blank] | S-QRIK91   |
| AE-IL-LM480W-840-UV-UV-G(120)-[L7-15P;L5-15P;5-15P;Blank] | S-E50GJU   |
| AE-IL-LM480W-850-HV-70-[L7-15P;L5-15P;5-15P;Blank]        | S-4QP58G   |
| AE-IL-LM480W-850-HV-UV-G(120)-[L7-15P;L5-15P;5-15P;Blank] | S-A6Y31D   |
| AE-IL-LM480W-850-UV-UV-G(120)-[L7-15P;L5-15P;5-15P;Blank] | S-QAYMTZ   |

|               |          |    |   |   |            |
|---------------|----------|----|---|---|------------|
| DATE          |          |    |   |   |            |
| PROJECT NAME  |          |    |   |   |            |
| TYPE          |          |    |   |   |            |
| QTY           |          |    |   |   |            |
| ORDERING CODE | AE-IL-LM | W- | 8 | - | - G(120)-D |

## OVERVIEW

### MULTIPLE ACCESSORIES

Hook or 3/4" NPT pole mount options and multiple reflector styles are available.

### PROTECTION

IP65 protection from low-pressure water jets, IK10 rated against impacts.



### PREMIUM MATERIALS

Constructed from cold-forged aluminum which enables superior thermal management while providing increased structural strength.

### ROBUST INDUSTRIAL APPLICATIONS

Power options ranging up to 480 watts and 76800 lumens with multiple input voltage ranges up to 480V allow for wide jobsite flexibility.

