

MASSINO

OUTDOOR PRODUCTS

Outdoor Wall Pack Light



eralux®



The Massino Series adjustable wall packs are high-efficacy luminaires with a machined finished die-cast aluminum shell. It features an adjustable head, so the beam can be aimed in various positions. It comes in a wide range of power and lumens options up to 120W at 16 800 lumens, allowing it to stand out against competition in its wall pack category.

| | |
|---------------|------------------|
| DATE | |
| PROJECT NAME | |
| TYPE | |
| QTY | |
| ORDERING CODE | AE-WP-MS - - - - |

OPERATING & ELECTRICAL

| | |
|---------------------------------|------------------------------------|
| INPUT VOLTAGE | 120-277V, 120-347V |
| POWER FACTOR | 0.9 |
| DIMMING | 0-10V external dimming down to 10% |
| TOTAL HARMONIC DISTORTION (THD) | <20% |

PERFORMANCE

| | |
|-------------------|-----------------------|
| LUMENS PER WATT | 140 LPW at 70CRI |
| POWER CONSUMPTION | 20,40,60, 80,100,120W |
| DISTRIBUTION | Type 2 |

WARRANTY

SYSTEM WARRANTY – 5 YEARS

LUMEN MAINTENANCE – L70 at 50,000 hours

Rated for 70% initial lumen output at 50,000 hours of operation, operated at 25°C ambient temperature; per guidelines published by the Illuminating Engineering Society (IES). (L70 at 50,000 hours)

APPLICATION CONDITION

| | |
|---------------------------|-------------|
| AMBIENT TEMPERATURE RANGE | -30 to 45°C |
| Protection | IP65, IK08 |

COMPATIBLE MOUNTING

| | |
|----------|---------|
| MOUNTING | Surface |
|----------|---------|

MECHANICAL & HOUSING

| | |
|--------------|---|
| HOUSING | Aluminum die cast housing for superior heat dissipation, strength, and rigidity. |
| LENS | Highly durable, UV resistant polycarbonate lens ensures high efficiency light output for a clean, evenly illuminated surface with minimal glare. High transmittance lens allowing for a smooth, diffused light pattern. |
| FINISH | Powder coat finish for the toughest outdoor conditions. Available in black, bronze, nebula white, aluminum (RAL9006) finishes. |
| POWER SUPPLY | Factory wired electronic LED driver |
| LED BOARD | LED Array |

| | | | | | |
|---------------|----------|---|--|---|---|
| DATE | | | | | |
| PROJECT NAME | | | | | |
| TYPE | | | | | |
| QTY | | | | | |
| ORDERING CODE | AE-WP-MS | - | | - | - |

ORDERING GUIDE

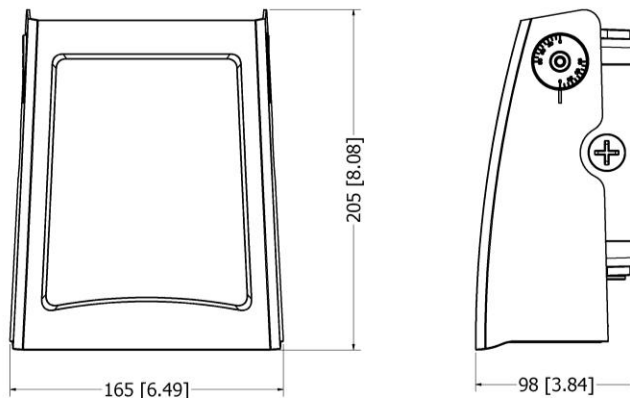
EXAMPLE: AE-WP-MS-060L-D-40-BZ

| FIXTURE FAMILY | POWER | VOLTAGE | CONTROLS | CCT | FINISH |
|--|---|--|---|-------------------------|---|
| AE-WP-MS | - | | - | - | - |
| AE-WP-MS ERALUX Massino Series outdoor wall pack light fixture | -020 20 Watts: 2,800 lumens | L 120-277Vac input voltage range | -D 0-10V external dimming down to 10% | -40 4000K CCT | -BZ Bronze powder coat finish |
| | -040 40 Watts: 5,600 lumens | | | | -BK Black powder coat finish |
| | -060 60 Watts: 8,400 lumens | | | | -WH ERALUX nebula white powder coat finish* |
| | -080 80 Watts: 11,200 lumens | M 120-347Vac input voltage range | -P Photocell | -50 5000K CCT | -AL Aluminum (RAL9006) powder coat finish* |
| | -100 100 Watts: 14,000 lumens | | | | |
| | -120 120 Watts: 16,800 lumens | | | | |

*Contact for details on lead time and availability

PRODUCT DIMENSIONS (in mm)

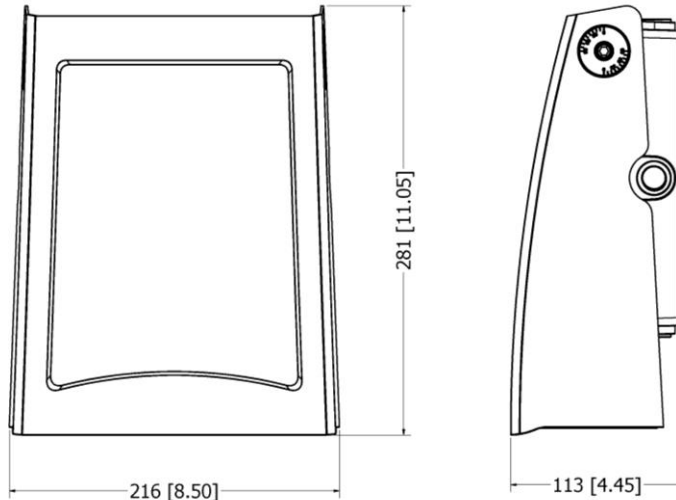
AE-WP-MS-020, AE-WP-MS-040



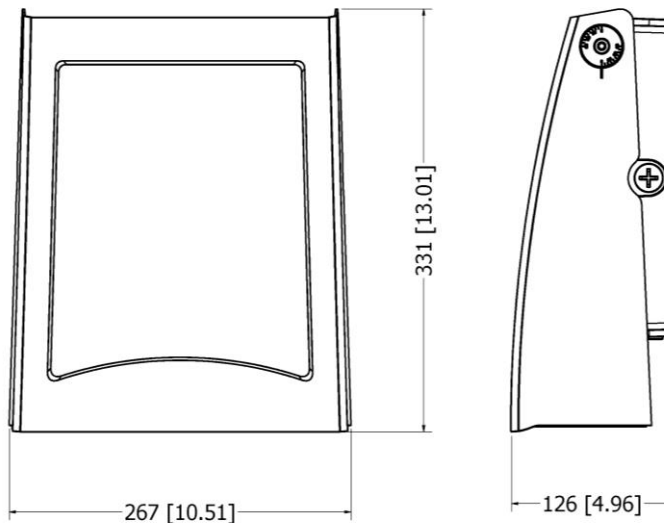
| | | | | |
|---------------|----------|---|---|---|
| DATE | | | | |
| PROJECT NAME | | | | |
| TYPE | | | | |
| QTY | | | | |
| ORDERING CODE | AE-WP-MS | - | - | - |

PRODUCT DIMENSIONS

AE-WP-MS-060, AE-WP-MS-080



AE-WP-MS-100, AE-WP-MS-120



| | | | | |
|---------------|----------|---|---|---|
| DATE | | | | |
| PROJECT NAME | | | | |
| TYPE | | | | |
| QTY | | | | |
| ORDERING CODE | AE-WP-MS | - | - | - |

LUMEN ESTIMATE

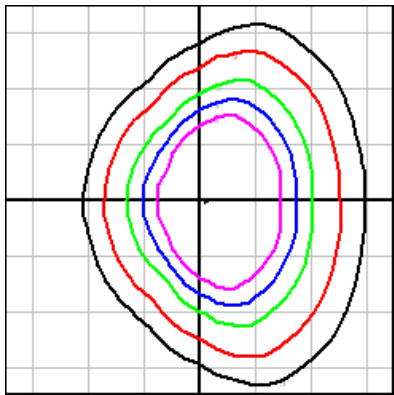
Lumen output varies based on CCT and CRI. An estimate of lumen output of the various CCT/CRI combinations, use correction factors as per table below:

| LUMEN ESTIMATE ADJUSTMENT FACTORS | | | | |
|-----------------------------------|-------|-------|-------|-------|
| CCT | 2700K | 3000K | 3500K | 4000K |
| NORMAL (70CRI) | 0.91 | 0.94 | 0.97 | 1 |

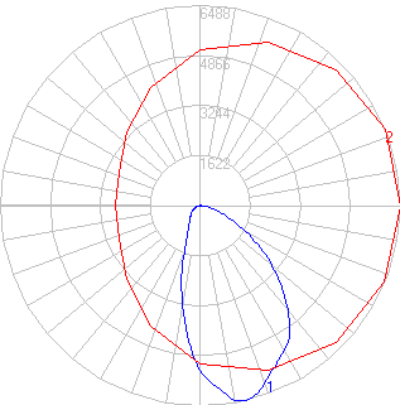
PHOTOMETRIC DATA

AE-WP-MS-080X-X-40XX

GRID DISTANCES WITH A MOUNTING HEIGHT OF 10' AFG



POLAR LUMINOUS INTENSITY GRAPHS



| | | | | |
|---------------|----------|---|---|---|
| DATE | | | | |
| PROJECT NAME | | | | |
| TYPE | | | | |
| QTY | | | | |
| ORDERING CODE | AE-WP-MS | - | - | - |

OVERVIEW



0°



30°



45°



90°



ADJUSTABLE DESIGN

Easy to adjust lamp head allows you to manipulate the lamp head from 0 to 90 degrees.

PREMIUM MATERIALS

Aluminum die-cast for superior heat management, IP65 and IK08 rated for increased fixture strength, enhanced waterproofing to withstand harsh weather conditions.

ACCESSORIES

Side mounted photocell daylight sensor adder.



MULTIPLE SIZES

Several power options ranging from 60 to 120 watts with multiple CCT, and finish choices.