

MAUNA

OUTDOOR LED LIGHT

Full Cut-Off Wall Pack | Power & CCT Switchable

The Mauna Series is a high-quality, durable, and elegant LED wall pack fixture. Its strong, weather-resistant construction is rated for wet and dusty locations and operates seamlessly across a wide temperature range. With Power and CCT switchable functionality and an efficient 130 lumens per watt, the Mauna Series combines flexibility with high performance. Applications: Garage door | Building contour | Man door

eralux®

	DATE	QTY	ACC. QTY	TYPE
PROJECT				
PN				
ACCESSORY PN				
NOTES				




DYNAMIC MENU

Order Information	Page 2
Dimensions	Page 3
Accessories	Page 4
Photometric Data	Page 6

[Install Instruction link](#)

SPECIFICATIONS

Input Voltage	120-277/347V
Power Factor	>0.9
Total Harmonic Distortion	<20%
Dimming Page 5	0-10V dimming
CRI	80 CRI
CCT	<div style="display: flex; gap: 10px;"> <div style="border: 1px solid black; border-radius: 50%; width: 20px; height: 20px; background-color: #fff9c4; display: flex; align-items: center; justify-content: center;">30K</div> <div style="border: 1px solid black; border-radius: 50%; width: 20px; height: 20px; background-color: #e0e0e0; display: flex; align-items: center; justify-content: center;">40K</div> <div style="border: 1px solid black; border-radius: 50%; width: 20px; height: 20px; background-color: #e0e0e0; display: flex; align-items: center; justify-content: center;">50K</div> </div>
Efficacy	~130 lm/W
Power (W)	20/30/40W 45/60/70W
Ambient Temperature Range	-40°C to 40°C
Mounting Options	Wall Mount
Fixture Finish	Black White Bronze 
Controls	Photocell Emergency Battery Back up
Protection	IP65; water and dust resistance IK08; impact resistance
Surge Protector	10KVA
Lens	Polycarbonate lens
Distribution	90° X 110°



PRODUCT FEATURES



PRODUCT CERTIFICATIONS



Design Lights Consortium® (DLC) qualified product. Not all versions of this product may be DLC qualified. Please check the DLC Qualified Products List at www.designlights.org/QPL to confirm which versions are qualified" [page 9](#)

SYSTEM WARRANTY – 5 YEARS

Eralux will warrant defective drivers, LEDs and boards for 5 years from the date of purchase. This warranty is valid only if the fixture is installed and used as per installation guides and specifications. If a defect is present, Eralux will send drivers and boards at no fee with a thorough replacement instructions along with instructions on the return of the defective parts back to Eralux.

LUMEN MAINTENANCE – L70 at 50,000 hours

Rated for 70% initial lumen output at 50,000 hours of operation, operated at 25°C ambient temperature; per guidelines published by the Illuminating Engineering Society (IES).

OUTDOOR LED LIGHT

Full Cut-Off Wall Pack | Power & CCT Switchable

ORDERING GUIDE

AE-WP-MN		-TCP	-CA		
AE-WP-MN ERALUX MAUNA Outdoor Wall Pack Light	-40W 20/30/40W 2,600/3,900/5,200lm	-TCP CCT Selectable 3000/4000/5000K	-CA 120-277/347V Input voltage	-D 0-10V Dimming -P Photocell -EM Emergency Battery Back up	-BK Black -BZ Bronze -WH White
	-70W 45/60/70W 5,850/7,800/9,450lm				

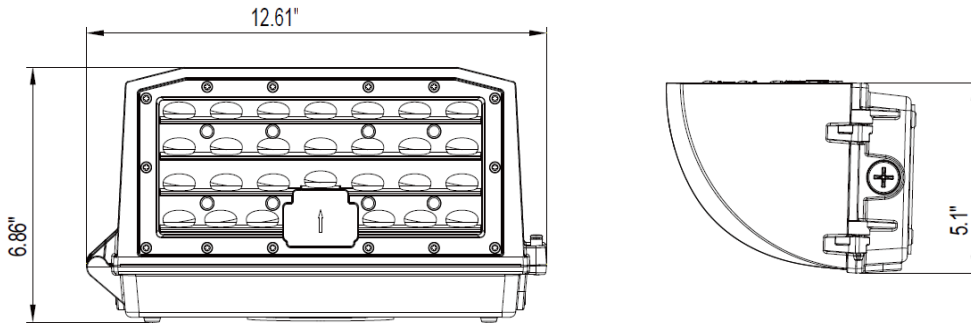
Fixture Family	Power	CCT	Input Voltage	Control	Finish
-----------------------	--------------	------------	----------------------	----------------	---------------

NOTES	Emergency Battery backup 8W output Integrated Emergency Battery back up
--------------	--

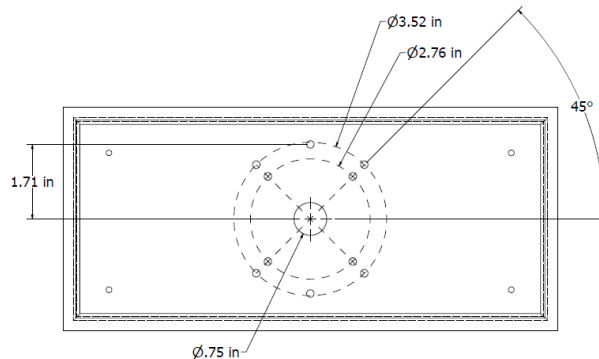
DIMENSIONS

AE-WP-MN-XXW-TCP-CA-X-XX

Same Size for both models



Back Plate Installation



OUTDOOR LED LIGHT

Wall Pack | Full Cut-Off | 40W - 70W

ACCESSORIES

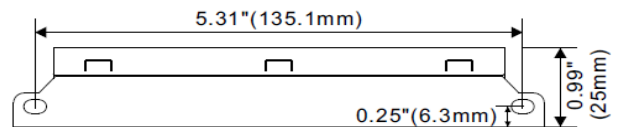
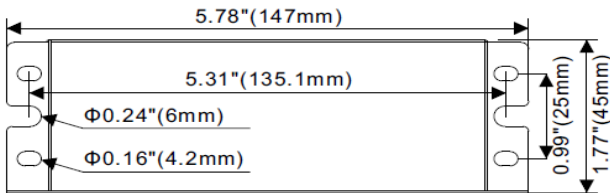
EMERGENCY LED DRIVER



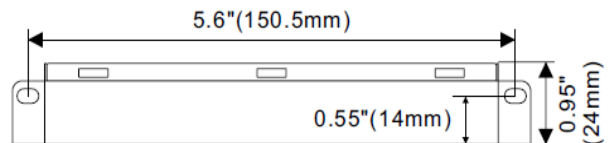
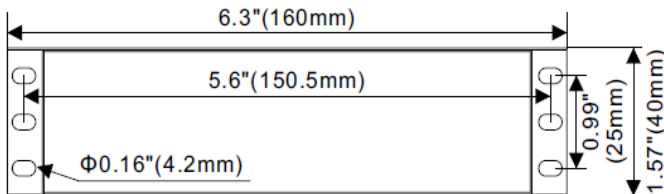
SPECIFICATION	
Input Voltage	100-347Vac
Input Current	100mA max
Recharge Time	24Hrs
Discharge Time	1.5H
Output Power	8W
Installation	Integrated

Introducing a UL-listed emergency lighting solution for the US and Canada, featuring high output voltage, self-testing, and overcharge/discharge protection. Compliant with UL924 and CSA C22.2 NO.141, it's suitable for field or factory installation and integrates seamlessly with LED drivers. With low energy consumption and Title20 compliance, it offers 8W emergency power options, a quick 24-hour recharge time, and 1.5-hour discharge time.

DRIVER DIMENSIONS



BATTERY DIMENSIONS



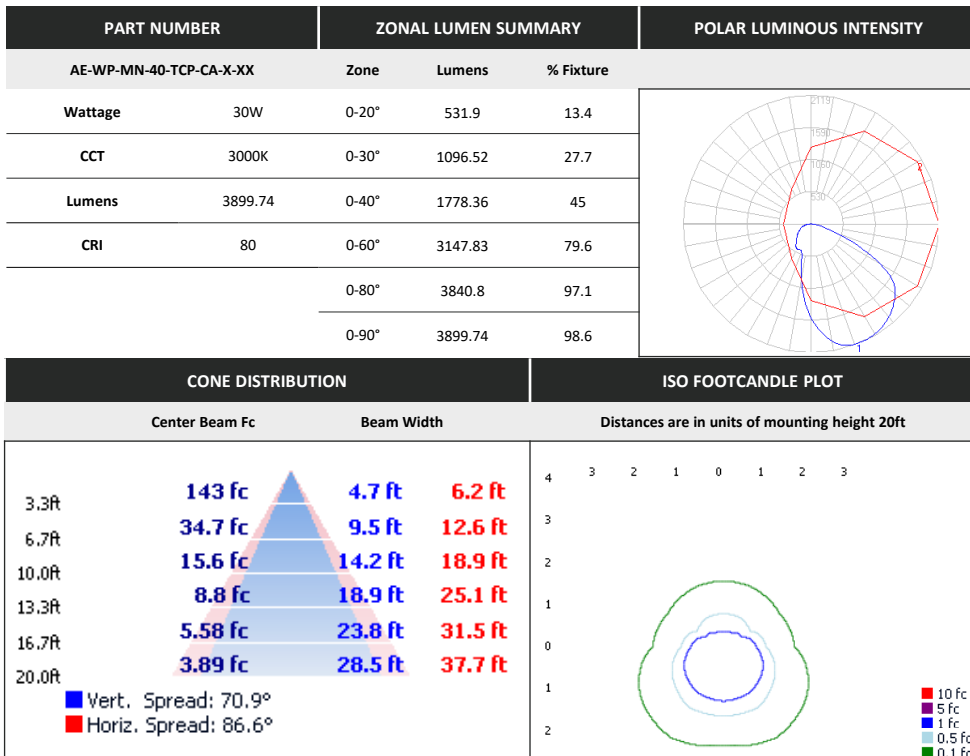
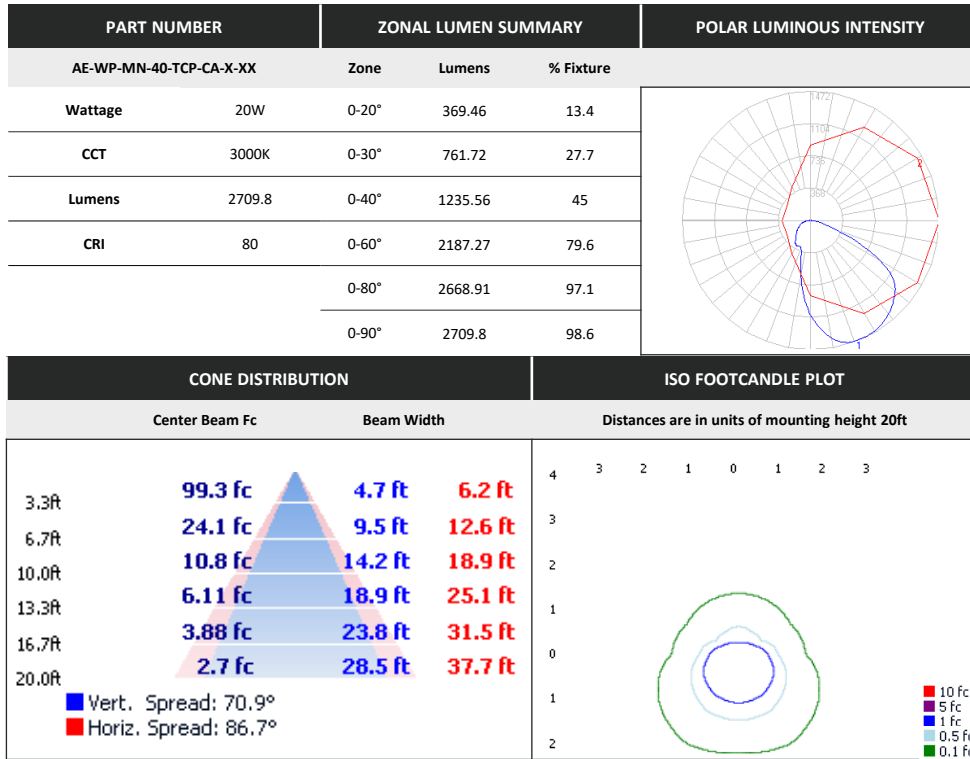
B-U-G RATING

POWER	B-U-G
20W	B1-U2-G1
30W	B1-U2-G1
40W	B1-U3-G1
45W	B1-U3-G1
60W	B2-U3-G1
70W	B2-U3-G1

OUTDOOR LED LIGHT

Wall Pack | Full Cut-Off | 40W - 70W

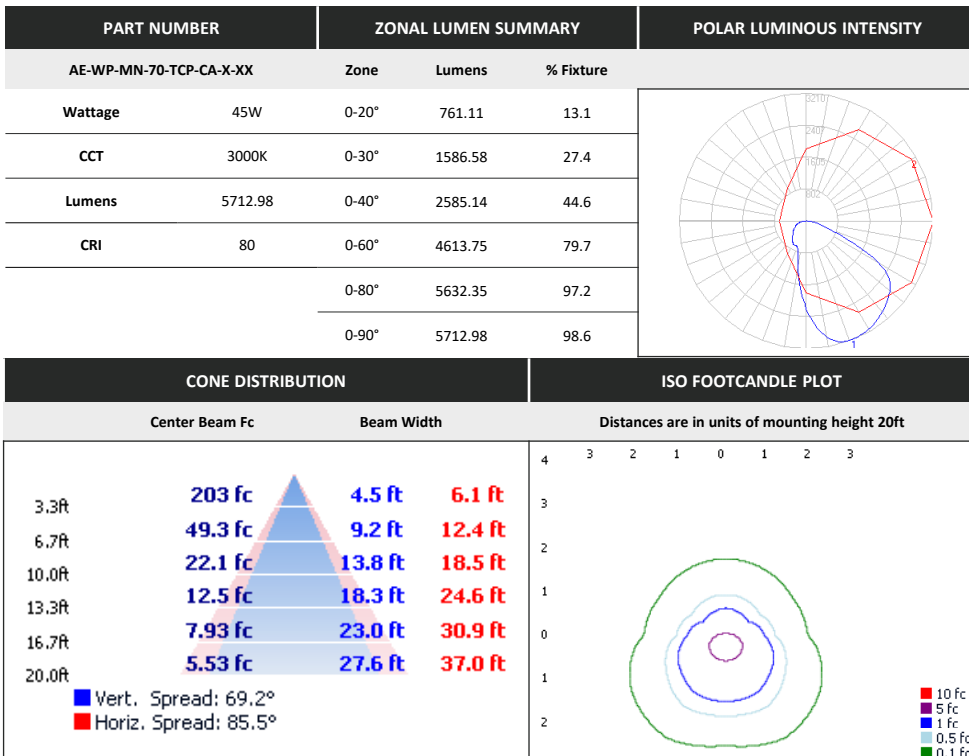
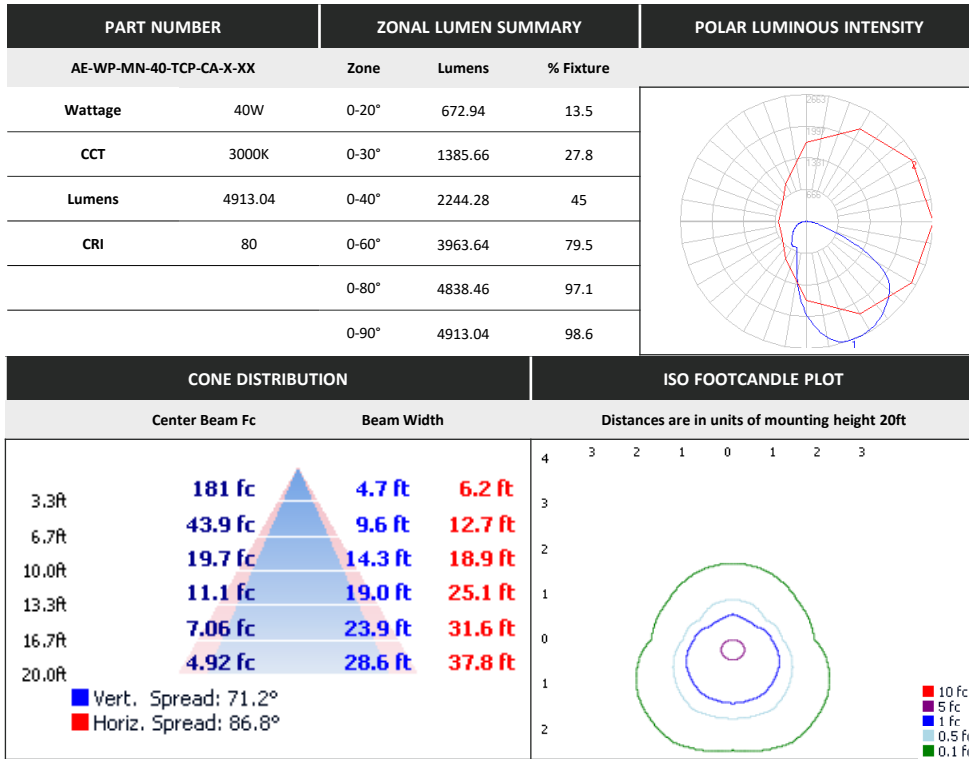
PHOTOMETRIC DATA



OUTDOOR LED LIGHT

Wall Pack | Full Cut-Off | 40W - 70W

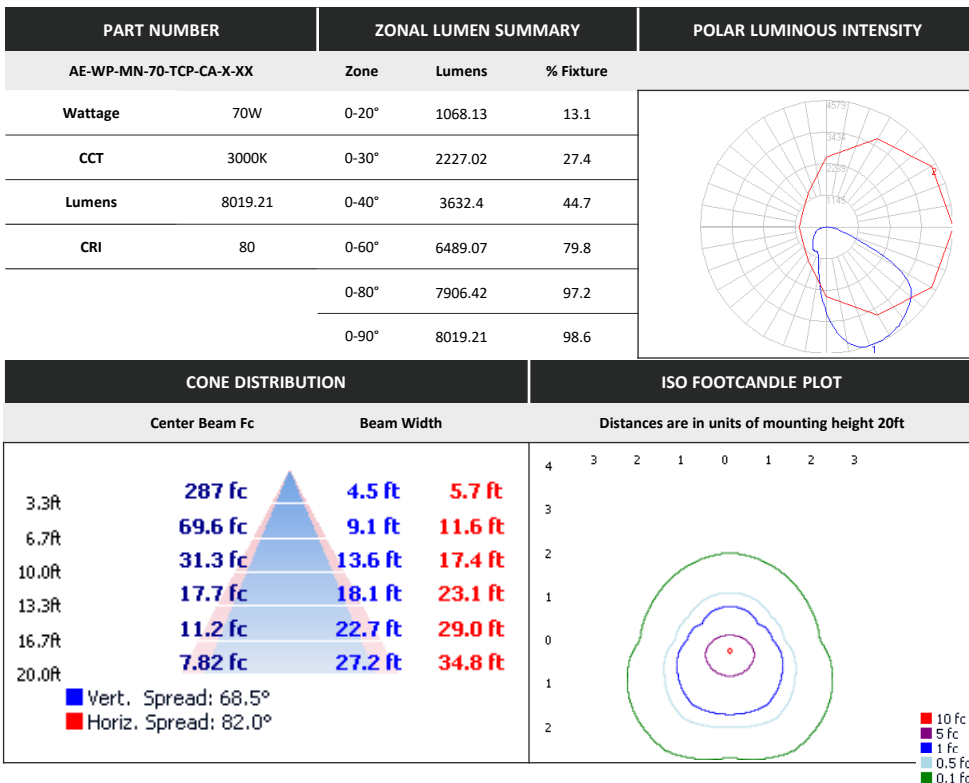
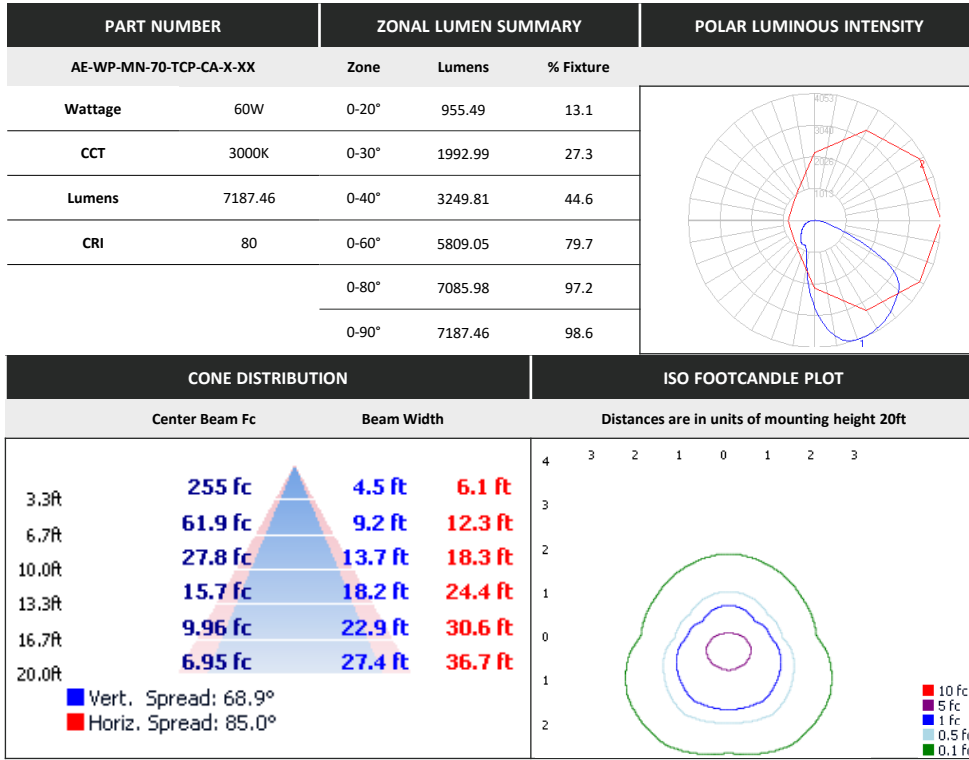
PHOTOMETRIC DATA



OUTDOOR LED LIGHT

Wall Pack | Full Cut-Off | 40W - 70W

PHOTOMETRIC DATA



OUTDOOR LED LIGHT

Wall Pack | Full Cut-Off | 40W - 70W

OVERVIEW



Innovative Design

- Aluminum die cast housing and fins for better heat dissipation
- Side and rear knockouts for different accessories such as photocell.



Multiple Options

- CCT Switchable ; 30/40/50K
- Black, white & bronze finish
- Power Switchable ; 20/30/40W or 45/60/70W



Protection



- Protected against dust ingress.
- Protected against water jets
- Impact resistant



Accessories

- 120-347V photocell
- Integrated Emergency Battery Back up



Tests And Certifications



DLC

DLC MODEL	PRODUCT ID	Primary Use	Classification
AE-WP-MN-70W-TCP-CA-[D,PT,EM,PM]-[Blank,BZ,BK,WH]	S-FCRQF6	Outdoor Full-Cutoff Wall-Mounted Area Luminaires	Premium
AE-WP-MN-40W-TCP-CA-[D,PT,EM,PM]-[Blank,BZ,BK,WH]	S-WLBHMM		Premium