

MAVEN ELITE

eralux®

TRACK LED LIGHT

Cylinder Track Head | 3" Aperture

MAVEN ELITE is a powerful choice and a perfect combination with the other Maven series' tracklights. Available in various CCT, and adapter options, Maven Elite can mount to pre-existing tracks or be paired with other ERALUX accessories to build a new track system. MAVEN provides an even distribution at various beam angles. The LED head rotates for a flexible lock wherever the beam is required.

Application :Retail Spaces, Hospitality, Office Settings, Art Galleries, Wellness and Spa

	DATE	QTY	ACC. QTY	TYPE
PROJECT				
PN				
ACCESSORY PN				
NOTES				



DYNAMIC MENU

Order Information	Page 2
Dimensions	Page 3
Accessories	Page 3
Photometric Data	Page 5

[Install Instruction link](#)

SPECIFICATIONS

Input Voltage	120V
Power Factor	>0.9
Total Harmonic Distortion	<30%
Dimming Page 4	TRIAC dimming
CRI	90 CRI
CCT	<div style="display: flex; gap: 10px;"> <div style="border: 1px solid black; border-radius: 50%; width: 20px; height: 20px; display: flex; align-items: center; justify-content: center;">30K</div> <div style="border: 1px solid black; border-radius: 50%; width: 20px; height: 20px; display: flex; align-items: center; justify-content: center;">40K</div> </div>
Efficacy	~92-99lm
Power	14W
Ambient Temperature Range	-10°C to 35°C
Mounting Adapter	Juno Global Halo Lightolier
Mounting Options	Track System Monopoint
Fixture Finish	Black White Silver
Distribution	Spot Narrow Flood Wide



PRODUCT CERTIFICATIONS



SYSTEM WARRANTY – 5 YEARS

Eralux will warrant defective drivers, LEDs and boards for 5 years from the date of purchase. This warranty is valid only if the fixture is installed and used as per installation guides and specifications. If a defect is present, Eralux will send drivers and boards at no fee with a thorough replacement instructions along with instructions on the return of the defective parts back to Eralux.

LUMEN MAINTENANCE – L70 at 50,000 hours

Rated for 70% initial lumen output at 50,000 hours of operation, operated at 25°C ambient temperature; per guidelines published by the Illuminating Engineering Society (IES).

TRACK LED LIGHT

Cylinder Track Head | 3" Aperture



ORDERING GUIDE

AE-TL-MVE	-12		P			
AE-TL-MVE ERALUX Maven ELITE series track light	-12 120V	SP Spot Light 10° NF Narrow Flood 20° FL Flood 35° WF Wide Flood 60°	P Premium 90 CRI	30 3000K 1,288 lm 40 4000K 1386 lm	J1 Juno G1 Global H1 Halo L1 Lightolier	BK Black powder coat WH White powder coat SV Silver powder Coat

Fixture Family	Voltage	Distribution	CRI	CCT	Adapter	Finish
-----------------------	----------------	---------------------	------------	------------	----------------	---------------



ORDERING GUIDE-ACCESSORIES

Ordered separately

T10016 Monopoint Mounting T10017 Duopoint Mounting	BK Black WH White

Mounting	Finish
-----------------	---------------

ORDERING GUIDE- TRACK SYSTEM

Track system and components are ordered with the track head if needed.

Refer to the links below for more information

T1
ERALUX Track T1
Compatible with Juno system-1 circuit

T2
ERALUX Track T2
Compatible with Juno system-2 circuit

H1
ERALUX Track H1
Compatible with Halo system-1 circuit

- 2** 2ft track
- 4** 4ft track
- 6** 6ft track
- 8** 8ft track
- 12** 12ft track
- 0001** Mini I Connector
- 0002** T Connector
- 0003** L Connector
- 0004** X Connector
- 0015** End Feed

-BK
Black Finish

-WH
White Finish

Track System	Components	Finish	PN	QTY
---------------------	-------------------	---------------	-----------	------------

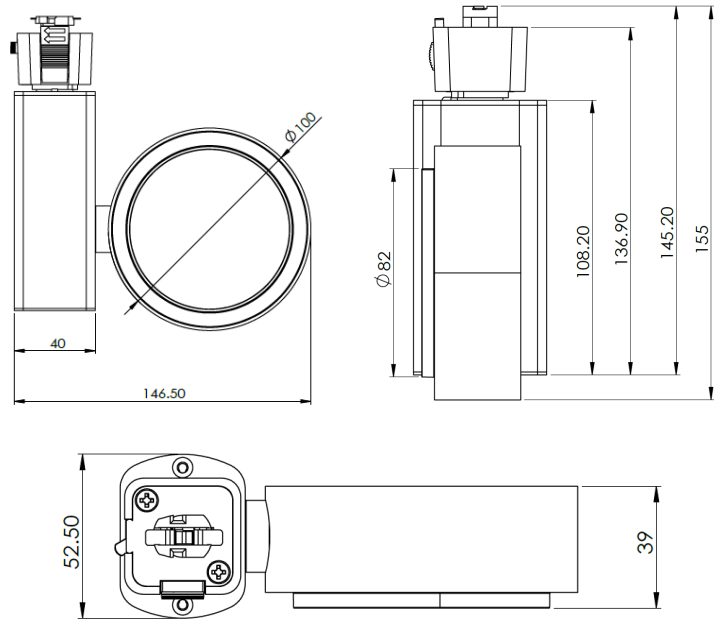
TRACK LED LIGHT

Cylinder Track Head | 3" Aperture

DIMENSIONS

AE-TL-MVE-12

- Rotation up to 350°
- Tilt +/- 90°



MOUNTING

ORDERING CODE		DESCRIPTION	PICTURE
T10016	-WH	Monopoint adapter Surface / wall mount Compatible with Juno system 1 Track head can be installed.	
	-BK		
T10017	-WH	Duopoint adapter Surface / wall mount Compatible with Juno system. 2 Track heads can be installed.	
	-BK		

TRACK LED LIGHT

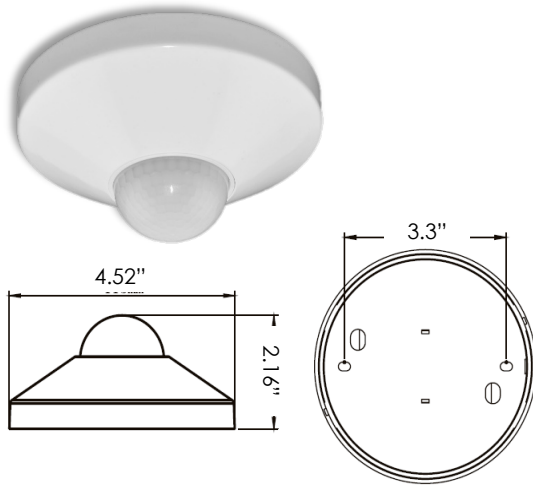
Cylinder Track Head | 3" Aperture

ROOM OCCUPANCY SENSOR

Ordered separately, field installed

PART NUMBER	DESCRIPTION
AE-CT-DT806	Detecta - Room Occupancy Sensor
RC102	RC102 Remote Control

SPECIFICATIONS		
Input Voltage	120-277 Vac	
Power Frequency	50/60HZ	
Rated Load	At 120 Vac	800W
	At 277 Vac	1200W
Detection Range	3-10 Meters	
	9.8-32.75 Feet	
Standby Power	~0.9W	
Time Setting	10 sec to 30 min	
Light Control	10-2,000LUX	
Installation	Ceiling Mounted	



DIMMER COMPATIBILITY LIST

TRIAC/ELV Dimming

Brand	Model	Brand	Model
Lutron	S-603PG	Leviton	IPI06-1LZ
	DVCL-153P		6631-2
	DV-600P		VPE06
	TGCL-153P		6683-IW
	S-600P		6161
	DVELV-303P		6633-P
	SELV-300P		IPE04
	TG-600P	Cooper	DLC03P
	LG-600P		SLC03P
	CT-103P		DAL06P
	MAELV-600	Lightolier	ZP260QEW
	FAELV-500		

LUMEN ESTIMATE

Lumen output varies based on CCT and CRI. An estimate of lumen output of the various CCT/CRI combinations, use correction factors as per table below:

LUMEN ESTIMATE ADJUSTMENT FACTORS

CCT	3000K	3500K	4000K
PREMIUM (90CRI)	0.86	0.84	0.93

PHOTOMETRIC DATA

PART NUMBER		ZONAL LUMEN SUMMARY			POLAR LUMINOUS INTENSITY
AE-TL-MVE-12SPP30X1XX		Zone	Lumens	% Fixture	Direct Light
Wattage	14W	0-20°	1051.7	83.80	
CCT	3000K	0-30°	1148.64	91.50	
Distribution	10°	0-40°	1185.74	94.50	
CBCP	15000	0-60°	1215.76	96.90	
		0-80°	1229.48	98.00	
		0-90°	1233.04	98.30	

PART NUMBER		ZONAL LUMEN SUMMARY			POLAR LUMINOUS INTENSITY
AE-TL-MVE-12NFP30X1XX		Zone	Lumens	% Fixture	Direct Light
Wattage	14W	0-20°	991.58	79.70	
CCT	3000K	0-30°	1109.1	89.10	
Distribution	20°	0-40°	1159.37	93.10	
CBCP	7650	0-60°	1202.4	96.60	
		0-80°	1219.87	98.00	
		0-90°	1223.52	98.30	

PART NUMBER		ZONAL LUMEN SUMMARY			POLAR LUMINOUS INTENSITY
AE-TL-MVE-12FLP30X1XX		Zone	Lumens	% Fixture	Direct Light
Wattage	14W	0-20°	890.42	70.60	
CCT	3000K	0-30°	1104.56	87.60	
Distribution	35°	0-40°	1165.16	92.40	
CBCP	3420	0-60°	1216.71	96.40	
		0-80°	1237.05	98.10	
		0-90°	1240.74	98.40	

PART NUMBER		ZONAL LUMEN SUMMARY			POLAR LUMINOUS INTENSITY
AE-TL-MVE-12WFP30X1XX		Zone	Lumens	% Fixture	Direct Light
Wattage	14W	0-20°	470.63	37.20	
CCT	3000K	0-30°	892.67	70.60	
Distribution	60°	0-40°	1127.55	89.20	
CBCP	1290	0-60°	1223.66	96.80	
		0-80°	1240.56	98.10	
		0-90°	1244.18	98.40	

OVERVIEW



Innovative Design

- Die cast aluminum housing for better heat dissipation.
- Improved design extends LED and driver lifespan.



Multiple Options

- 14W power.
- Variety of beam angles.
- Black, white, and silver finishes.



Mountings Available

- Choose from any of the popular track systems such as Juno, Halo, Lightolier, or Global.
- Surface mount with either monopoint or duopoint adapters.



Tests And Certifications

