

# MAVEN SERIES

eralux®

## TRACK LED LIGHT

### Rounded Track/Canopy Head | 3" Aperture

The MAVEN Series delivers a powerful and versatile lighting solution designed for seamless integration with track systems or monopoint mount with MAVEN CANOPY. Available in various CCT and adapter options, it can be mounted to pre-existing tracks or paired with ERALUX accessories to create a new system. Providing even light distribution at various beam angles, the LED head rotates for flexible positioning. The MAVEN Series includes three options: Maven (10.5W), Maven Canopy (10.5W) and Maven Elite (14W)

	DATE	QTY	ACC. QTY	TYPE
PROJECT				
PN				
ACCESSORY PN				
NOTES				



### DYNAMIC MENU

Order Information	<a href="#">Page 2</a>
Dimensions	<a href="#">Page 4</a>
Accessories	<a href="#">Page 5</a>
Photometric Data	<a href="#">Page 7</a>

[Install Instruction link](#)

### SPECIFICATIONS

Input Voltage	120V		
Power Factor	>0.9		
Total Harmonic Distortion	<30%		
Dimming <a href="#">Page 6</a>	TRIAC dimming		
CRI	90 CRI		
CCT	<div style="display: flex; gap: 10px;"> <div style="border: 1px solid black; border-radius: 50%; width: 20px; height: 20px; display: flex; align-items: center; justify-content: center;">30K</div> <div style="border: 1px solid black; border-radius: 50%; width: 20px; height: 20px; display: flex; align-items: center; justify-content: center;">40K</div> </div>		
Maven Series	Maven	Maven Canopy	Maven Elite
Power	10.5W	10.5W	14W
Efficacy	~67-78lm	~73-78 lm	~92-99lm
Ambient Temperature Range	-10°C to 35°C		
Mounting Adapter	Juno   Global   Halo   Lightolier		
Mounting Options	Track System   Monopoint   Canopy		
Fixture Finish	Black   White   Silver		

Spot | Narrow | Flood | Wide



MAVEN ELITE



MAVEN CANOPY



MAVEN

### PRODUCT CERTIFICATIONS



### SYSTEM WARRANTY – 5 YEARS

Eralux will warrant defective drivers, LEDs and boards for 5 years from the date of purchase. This warranty is valid only if the fixture is installed and used as per installation guides and specifications. If a defect is present, Eralux will send drivers and boards at no fee with a thorough replacement instructions along with instructions on the return of the defective parts back to Eralux.

### LUMEN MAINTENANCE – L70 at 50,000 hours

Rated for 70% initial lumen output at 50,000 hours of operation, operated at 25°C ambient temperature; per guidelines published by the Illuminating Engineering Society (IES).

## TRACK LED LIGHT

Rounded Track Head | 3" Aperture



### ORDERING GUIDE – MAVEN

<b>AE-TL-MV</b>	<b>-12</b>		<b>P</b>			
<b>AE-TL-MV</b> ERALUX Maven Track Head	<b>-12</b> 120V 10.5W   820 lm	<b>NF</b> Narrow Flood - 24° <b>FL</b> Flood - 29° <b>WF</b> Wide Flood - 55°	<b>P</b> Premium 90 CRI	<b>30</b> 3000K <b>40</b> 4000K	<b>J1</b> Juno <b>G1</b> Global <b>H1</b> Halo <b>L1</b> Lightolier	<b>BK</b> Black powder coat <b>WH</b> White powder coat <b>SV</b> Silver powder coat
<b>Fixture Family</b>	<b>Voltage</b>	<b>Distribution</b>	<b>CRI</b>	<b>CCT</b>	<b>Adapter</b>	<b>Finish</b>



### ORDERING GUIDE – MAVEN CANOPY

<b>AE-TL-MVC</b>	<b>-12</b>		<b>P</b>			
<b>AE-TL-MVC</b> ERALUX Maven Canopy Surface Mount	<b>-12</b> 120V 10.5W   820 lm	<b>NF</b> Narrow Flood 26° <b>FL</b> Flood 38° <b>WF</b> Wide Flood 66°	<b>P</b> Premium 90 CRI	<b>30</b> 3000K <b>40</b> 4000K		<b>BK</b> Black powder coat <b>WH</b> White powder coat <b>SV</b> Silver powder coat
<b>Fixture Family</b>	<b>Voltage</b>	<b>Distribution</b>	<b>CRI</b>	<b>CCT</b>		<b>Finish</b>



### ORDERING GUIDE – MAVEN ELITE

<b>AE-TL-MVE</b>	<b>-12</b>		<b>P</b>			
<b>AE-TL-MVE-12</b> ERALUX Maven Elite Track Head	<b>-12</b> 120V 14W   1386 lm	<b>SP</b> Spotlight - 10° <b>NF</b> Narrow Flood - 20° <b>FL</b> Flood - 35° <b>WF</b> Wide Flood - 60°	<b>P</b> Premium 90 CRI	<b>30</b> 3000K 1288 lm <b>40</b> 4000K 1386 lm	<b>J1</b> Juno <b>G1</b> Global <b>H1</b> Halo <b>L1</b> Lightolier	<b>BK</b> Black powder coat <b>WH</b> White powder coat <b>SV</b> Silver powder coat
<b>Fixture Family</b>	<b>Power</b>	<b>Distribution</b>	<b>CRI</b>	<b>CCT</b>	<b>Adapter</b>	<b>Finish</b>

## TRACK LED LIGHT

Rounded Track Head | 3" Aperture



### ORDERING GUIDE - ACCESSORIES

Ordered separately



**T10016**

Monopoint Mounting

**T10017**

Duopoint Mounting

**-BLK**

Black

**-WHT**

White

**-SLV**

Silver

**Mounting**

**Finish**



### ORDERING GUIDE - TRACK SYSTEM

Track system and components are ordered with the track head if needed. Refer to the links below for more information

<b>T1</b>				
ERALUX Track T1	<b>-2</b>	2ft track		
Compatible with Juno system-1 circuit	<b>-4</b>	4ft track	<b>-BK</b>	
	<b>-6</b>	6ft track	Black Finish	
	<b>-8</b>	8ft track		
	<b>-12</b>	12ft track	<b>-WH</b>	
ERALUX Track T2	<b>0001</b>	Mini I Connector	White Finish	
Compatible with Juno system-2 circuit	<b>0002</b>	T Connector		
	<b>0003</b>	L Connector		
	<b>0004</b>	X Connector	<b>-SV</b>	
	<b>0015</b>	End Feed	Silver Finish	

**TRACK SYSTEM**

**Track System**

**Finish**

**PN**

**QTY**

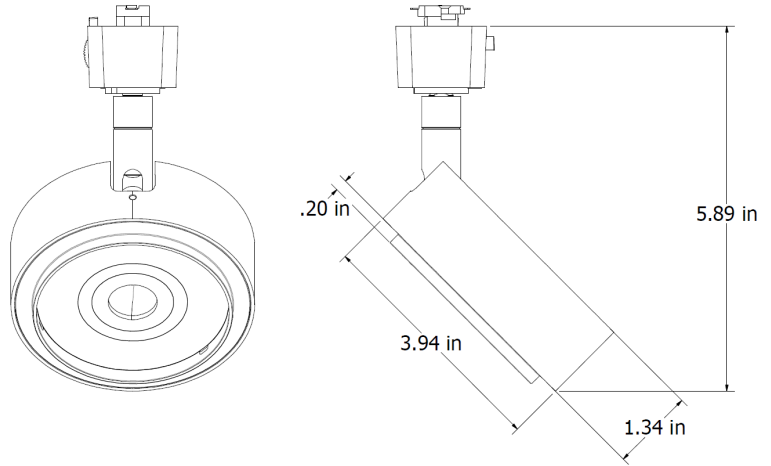
## TRACK LED LIGHT

Rounded Track Head | 3" Aperture

### DIMENSIONS – MAVEN

AE-TL-MV-12

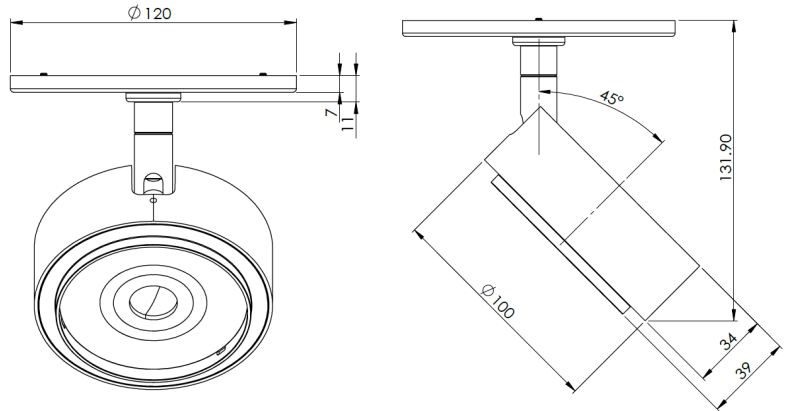
- Rotation up to 350°
- Tilt +/- 90°



### DIMENSIONS – MAVEN CANOPY

AE-TL-MVC-12

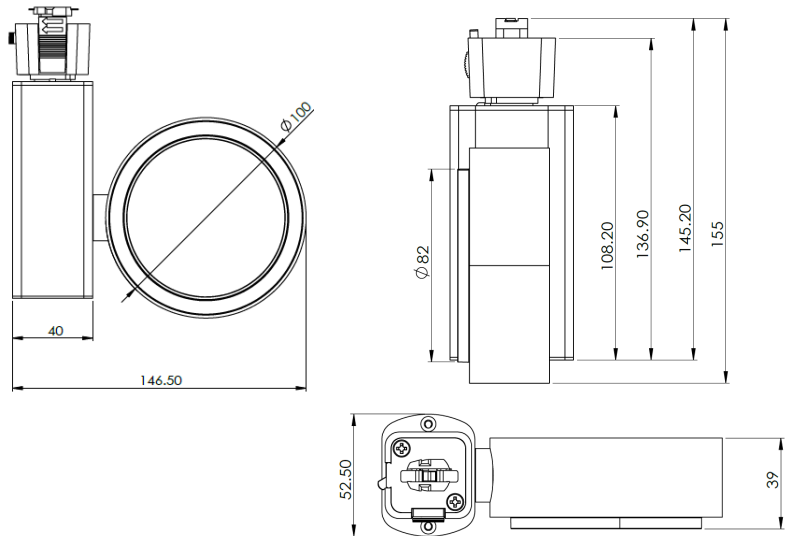
- Rotation up to 350°
- Tilt +/- 90°



### DIMENSIONS – MAVEN ELITE

AE-TL-MVE-12

- Rotation up to 350°
- Tilt +/- 90°



### ACCESSORIES

#### MOUNTING

ORDERING CODE		DESCRIPTION	PICTURE
T10016	-WH	Monopoint adapter Surface / wall mount Compatible with Juno system 1 Track head can be installed.	
	-BK		
T10017	-WH	Duopoint adapter Surface / wall mount Compatible with Juno system. 2 Track heads can be installed.	
	-BK		

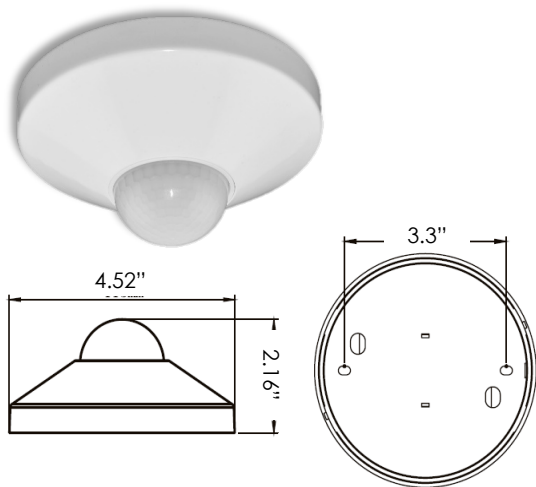
## TRACK LED LIGHT

Rounded Track Head | 3" Aperture

### ROOM OCCUPANCY SENSOR

Ordered separately, field installed

PART NUMBER	DESCRIPTION
AE-CT-DT806	Detecta - Room Occupancy Sensor
RC102	RC102 Remote Control



SPECIFICATIONS		
Input Voltage	120-277 Vac	
Power Frequency	50/60HZ	
Rated Load	At 120 Vac	800W
	At 277 Vac	1200W
Detection Range	3-10 Meters	
	9.8-32.75 Feet	
Standby Power	~0.9W	
Time Setting	10 sec to 30 min	
Light Control	10-2,000LUX	
Installation	Ceiling Mounted	

### DIMMER COMPATIBILITY LIST

TRIAC/ELV Dimming

#### MAVEN ELITE

Brand	Model	Brand	Model	
Lutron	S-603PG	Leviton	IPI06-1LZ	
	DVCL-153P		6631-2	
	DV-600P		VPE06	
	TGCL-153P		6683-1W	
	S-600P		6161	
	DVELV-303P		6633-P	
	SELV-300P	IPE04	Cooper	
	TG-600P	DLC03P		
	LG-600P	SLC03P		
	CT-103P	DAL06P		
	MAELV-600	Lightolier		ZP260QEW
	FAELV-500			

#### MAVEN

Brand	Model
Lutron	N-600-AL
	DVELV-300P-WH
	CTCL-153P
Leviton	IPL06

### LUMEN ESTIMATE – MAVEN & MAVEN CANOPY

Lumen output varies based on CCT and CRI. An estimate of lumen output of the various CCT/CRI combinations, use correction factors as per table below:

LUMEN ESTIMATE ADJUSTMENT FACTORS		
CCT	3000K	4000K
PREMIUM (90CRI)	0.86	0.93

### PHOTOMETRIC DATA – MAVEN & MAVEN CANOPY

PART NUMBER		ZONAL LUMEN SUMMARY			POLAR LUMINOUS INTENSITY
AE-TL-MV-12-NFP30X1XX		Zone	Lumens	% Fixture	Direct Light
Wattage	10.5W	0-20°	502.90	65.90	
CCT	3000K	0-30°	629.30	82.50	
Distribution	25°	0-40°	678.30	88.90	
CBCP	2750	0-60°	709.29	92.90	
		0-80°	724.73	95.00	
		0-90°	730.44	95.70	

PART NUMBER		ZONAL LUMEN SUMMARY			POLAR LUMINOUS INTENSITY
AE-CDM-12HFLP30XXXXXX		Zone	Lumens	% Fixture	Direct Light
Wattage	10.5W	0-20°	472.43	60.50	
CCT	3000K	0-30°	654.02	83.70	
Distribution	40°	0-40°	708.71	90.70	
CBCP	1700	0-60°	734.46	94.00	
		0-80°	747.28	95.70	
		0-90°	752.18	96.30	

PART NUMBER		ZONAL LUMEN SUMMARY			POLAR LUMINOUS INTENSITY
AE-TL-CDM-12HWFP30X1XX		Zone	Lumens	% Fixture	Direct Light
Wattage	10.5W	0-20°	225.77	30.00	
CCT	3000K	0-30°	445.04	59.10	
Distribution	60°	0-40°	608.64	80.80	
CBCP	620	0-60°	707.01	93.90	
		0-80°	721.67	95.80	
		0-90°	726.30	96.40	

#### PHOTOMETRIC DATA – MAVEN ELITE

PART NUMBER		ZONAL LUMEN SUMMARY			POLAR LUMINOUS INTENSITY
AE-TL-MVE-12SPP30X1XX		Zone	Lumens	% Fixture	Direct Light
Wattage	14W	0-20°	1051.7	83.80	
CCT	3000K	0-30°	1148.64	91.50	
Distribution	10°	0-40°	1185.74	94.50	
CBCP	15000	0-60°	1215.76	96.90	
		0-80°	1229.48	98.00	
		0-90°	1233.04	98.30	

PART NUMBER		ZONAL LUMEN SUMMARY			POLAR LUMINOUS INTENSITY
AE-TL-MVE-12NFP30X1XX		Zone	Lumens	% Fixture	Direct Light
Wattage	14W	0-20°	991.58	79.70	
CCT	3000K	0-30°	1109.1	89.10	
Distribution	20°	0-40°	1159.37	93.10	
CBCP	7650	0-60°	1202.4	96.60	
		0-80°	1219.87	98.00	
		0-90°	1223.52	98.30	

PART NUMBER		ZONAL LUMEN SUMMARY			POLAR LUMINOUS INTENSITY
AE-TL-MVE-12FLP30X1XX		Zone	Lumens	% Fixture	Direct Light
Wattage	14W	0-20°	890.42	70.60	
CCT	3000K	0-30°	1104.56	87.60	
Distribution	35°	0-40°	1165.16	92.40	
CBCP	3420	0-60°	1216.71	96.40	
		0-80°	1237.05	98.10	
		0-90°	1240.74	98.40	

PART NUMBER		ZONAL LUMEN SUMMARY			POLAR LUMINOUS INTENSITY
AE-TL-MVE-12WFP30X1XX		Zone	Lumens	% Fixture	Direct Light
Wattage	14W	0-20°	470.63	37.20	
CCT	3000K	0-30°	892.67	70.60	
Distribution	60°	0-40°	1127.55	89.20	
CBCP	1290	0-60°	1223.66	96.80	
		0-80°	1240.56	98.10	
		0-90°	1244.18	98.40	

#### OVERVIEW



#### Innovative Design

- Die-cast aluminum housing for better heat dissipation.
- Improved design extends LED and driver lifespan.



#### Multiple Options

- Two available power options: Maven 10.5W and Maven Elite 14W
- Variety of beam angles.
- Black, white, and silver finishes.



#### Mountings Available

- Choose from any of the popular track systems such as Juno, Halo, Lightolier, or Global.
- Surface mount with either monopoint or duopoint adapters for MAVEN and MAVEN ELITE
- Surface Mount available with MAVEN CANOPY



#### Tests And Certifications

