

MONT BLANC

eralux®

Commercial LED Lighting

Center Basket Troffer | 1x4, 2x2, 2x4, 2x5

The Mont Blanc is a Centre Basket Troffer that offers superior lighting for your application. Available in various sizes: 1x4' with single CCT and single power, 2x2', 2x4' and 2x5'. It provides flexibility in terms of brightness and color temperature for any installation, with efficacy up to 130 LPW. Applications: Commercial Office Spaces | Healthcare | Schools | Retail Merchandising Areas.

	DATE	QTY	ACC. QTY	TYPE
PROJECT				
PN				
ACCESSORY PN				
NOTES				

DYNAMIC MENU

Ordering Guide	Page 2
Dimensions	Page 3
Control	Page 6
Photometric Data	Page 8
Install Instructions	



SPECIFICATIONS

Input Voltage	120-347V	
Power Factor	>0.9	
Total Harmonic Distortion	<20%	
Dimming page 9	0-10V Dimming	
CRI	80 CRI	
CCT	<div style="display: flex; justify-content: space-around;"> <div style="border: 1px solid black; border-radius: 50%; padding: 2px 5px;">30K</div> <div style="border: 1px solid black; border-radius: 50%; padding: 2px 5px;">35K</div> <div style="border: 1px solid black; border-radius: 50%; padding: 2px 5px;">40K</div> <div style="border: 1px solid black; border-radius: 50%; padding: 2px 5px;">50K</div> </div>	
Lumens Per Watt	130LPW	
	115LPW - 2x5'	
	1X4'	36W
	2X2'	24 30 36W
Power	2X4'	24 36 45W
	2X5'	30 40 50W
	Ambient Temperature Range	
	-25°C to 40°C	
Distribution	120°	
Mounting options page 5	Surface Mount Suspended Recessed- Gypsum Recessed -T grid	

PRODUCT FEATURES



PRODUCT CERTIFICATIONS



Design Lights Consortium® (DLC) qualified product. Not all versions of this product may be DLC qualified. Please check the DLC Qualified Products List at www.designlights.org/QPL to confirm which versions are qualified" [page 9](#)

SYSTEM WARRANTY – 5 YEARS

Eralux will warrant defective drivers, LEDs and boards for 5 years from the date of purchase. This warranty is valid only if the fixture is installed and used as per installation guides and specifications. If a defect is present, Eralux will send drivers and boards at no fee with a thorough replacement instructions along with instructions on the return of the defective parts back to Eralux.

LUMEN MAINTENANCE – L70 at 50,000 hours

Rated for 70% initial lumen output at 50,000 hours of operation, operated at 25°C ambient temperature; per guidelines published by the Illuminating Engineering Society (IES).

Commercial LED Lighting

Center Basket Troffer | 1x4, 2x2, 2x4, 2x5



ORDERING GUIDE

AE-RC-MBCA						
AE-RC-MBCA ERALUX Mont Blanc Center Basket Troffer 120-347Vac	14 1x4'	36 36 W 4,680 lm	N 80 CRI	35 3500K 40 4000K 50 5000K	0-10 0-10V MS1 Motion Sensor EM¹ Emergency Battery Backup	WH White WH-AR White Air Return slots

Fixture Family	Size	Power	CRI	CCT	Control	Finish
----------------	------	-------	-----	-----	---------	--------

AE-RC-MBCA							
AE-RC-MBCA ERALUX Mont Blanc Center Basket Troffer 120-347Vac	22 24 2x2' 24W 3,120lm 22 30 2x2' 30W 3,900lm 22 36 2x2' 36W 4,680lm 24 24 2x4' 24W 3,120lm 24 36 2x4' 36W 4,680lm 24 45 2x4' 45W 5,850lm 25 30 2x5' 30W 3,360lm 25 40 2x5' 40W 4,480lm 25 50 2x5' 50W 5,600lm	LB 120°	N 80 CRI	30 3000K 35 3500K 40 4000K 50 5000K	0-10 0-10V	WH White WH-AR White Air Return slots	[BLANK] No Option AWN^R2 AWN^RS3 [MS] Motion Sensor [EM]¹ Emergency Battery Backup

Fixture Family	Size Power	Distribution	CRI	CCT	Control	Finish	Options
----------------	--------------	--------------	-----	-----	---------	--------	---------

NOTES	<ol style="list-style-type: none"> 8W battery: 90 minutes available for all sizes. Lutron Smart Control: Lutron Athena Wireless Node integral fixture control (RF only) Lutron Smart Control with Sensor: Lutron Athena Wireless Node integral fixture control (RF with daylight and occupancy sensing) 2x5' is applicable only on 35/40/50K CCT
--------------	--

NOTES	For more aesthetic look suspension and surface mount kit can be ordered together
--------------	--



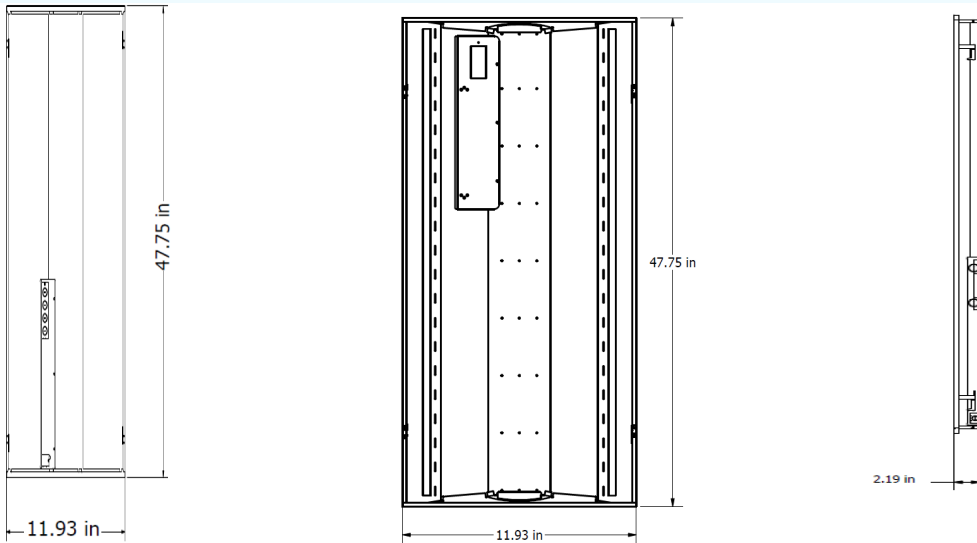
ORDERING GUIDE - ACCESSORIES

AE-RC-M ERALUX Commercial Mounting Options	BGYPK Gypsum Kit BSMK- Surface Mount Kit-2" thickness SMK- Surface Mount Kit-3" thickness	1X4 1x4' 2X2 2x2' 2X4 2x4'	AE-RC-MB ERALUX Commercial Mounting Options	-HK¹ Hanging Kit
Fixture Family	Mounting Option	Size	Fixture Family	Mounting Option

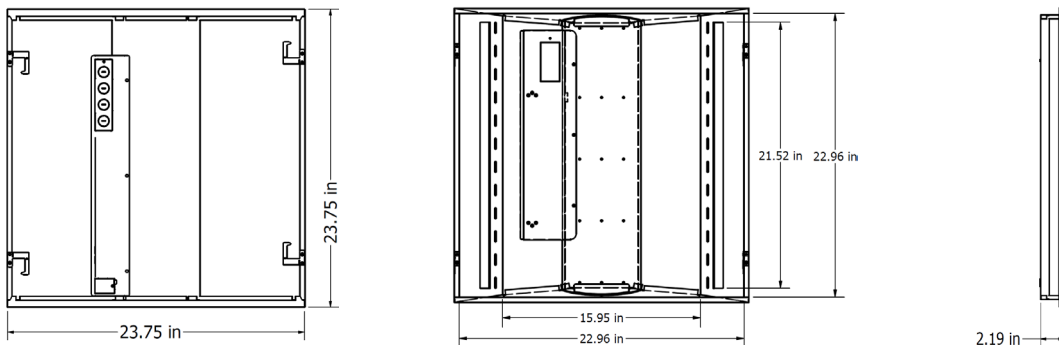
DIMENSIONS

TOP VIEW MONT BLANC -STANDARD	TOP VIEW MONT BLANC – AIR RETRURN	THICKNESS
--	--	------------------

AE-RC-MBCA-14



AE-RC-MBCA-22



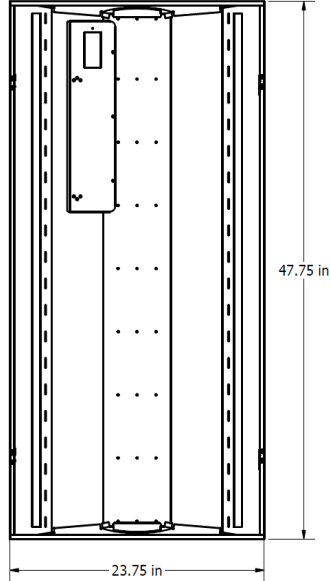
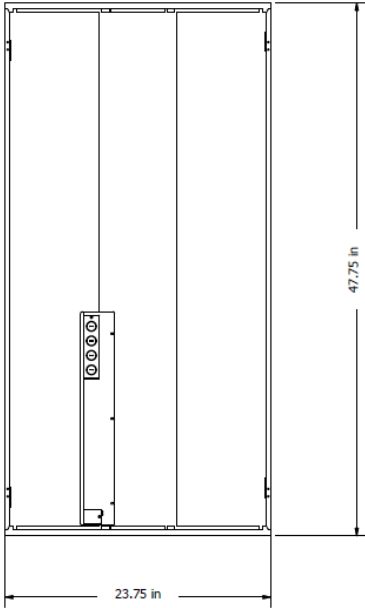
DIMENSIONS

TOP VIEW
MONT BLANC -STANDARD

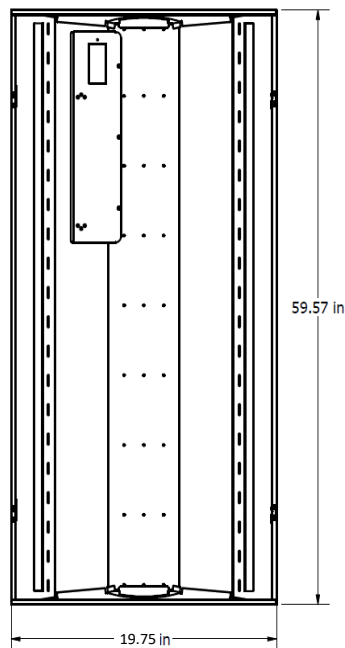
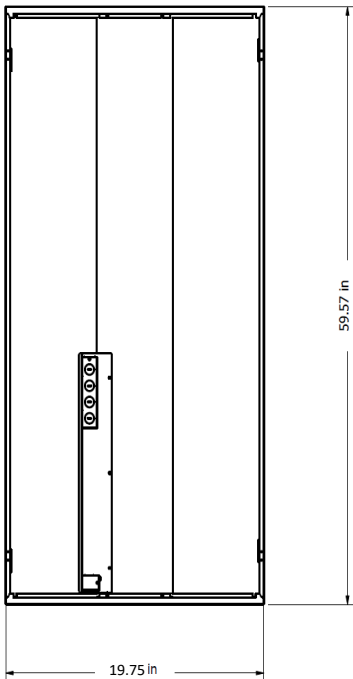
TOP VIEW
MONT BLANC – AIR RETURN

THICKNESS

AE-RC-MBCA-24



AE-RC-MBCA-25



MOUNTING ACCESSORIES

Ordered separately, field installed

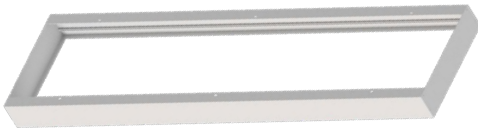
GYPSUM KIT

Recessed Gypsum



ORDERING CODE	DIMENSIONS		
	LENGTH	WIDTH	HEIGHT
AE-RC-MBGYPK1X4	49.1"	25.1"	1.5"
AE-RC-MBGYPK2X2	25.1"	25.1"	1.5"
AE-RC-MBGYPK2X4	49.1"	13.3"	1.5"

SURFACE MOUNT KIT



OPTIONS	ORDERING CODE	DIMENSIONS		
		LENGTH	WIDTH	HEIGHT
Option 1 2"- thickness	AE-RC-MBSMK-1X4	48"	12.2"	2"
	AE-RC-MBSMK-2X2	24"	24"	2"
	AE-RC-MBSMK-2X4	48"	24"	2"
Option 2 3"- thickness	AE-RC-MSMK-1X4	48"	12.2"	2.91"
	AE-RC-MSMK-2X2	24"	24"	2.91"
	AE-RC-MSMK-2X4	48"	12.2"	2.91"

SUSEPENSION KIT



ORDERING CODE	QUANTITY	DESCRIPTION	LENGTH
AE-RC-MB-HK	3 pieces/set	Galvanized aircraft cable	4'

CONTROLS

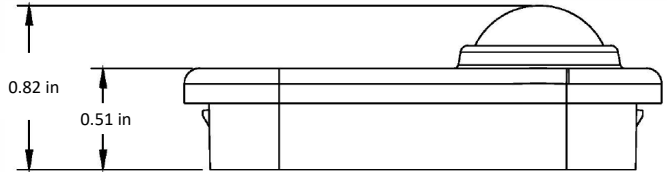
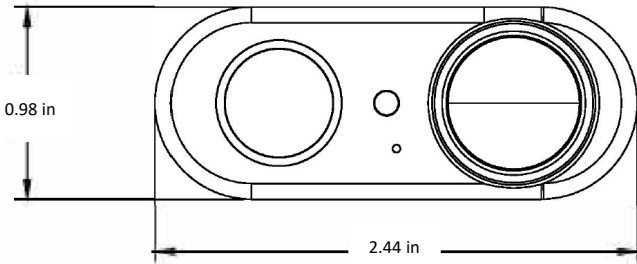
Bi-Level PIR Motion Sensor - IFS06R

AE-RC-APB-XXWXX-28CDS
(Comes with fixture)

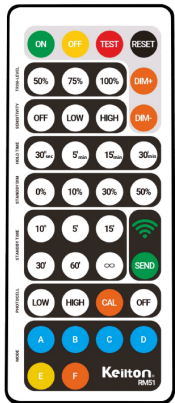
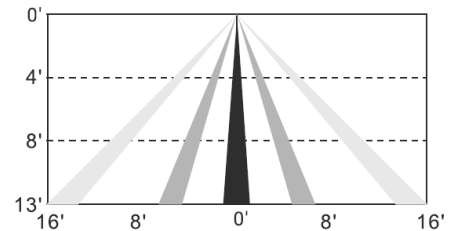


The IFS06R is a compact PIR (Passive Infrared) sensor that combines motion detection with daylight control. It works with 0-10V dimming LED drivers to enable automatic lighting, turning fixtures on and off based on occupancy and available daylight. The built-in photocell allows for dusk-to-dawn operation, keeping lights on overnight even without motion. In daylight harvesting mode, it automatically adjusts lighting to maintain the perfect balance with natural light. It's ideal for low-profile fixtures and supports simple push-button connections.

SPECIFICATIONS	
Input Voltage	12V DC
IP Rated	IP20
Mounting Height	23 Feet max
	7 Meters
Detection Range	10 Meters
	32 Feet
Standby Power	<0.5W
Operating Temperature	-30°C to 55°C
Installation	Fixture integrated



Microwave motion sensor coverage



Remote control:

AE-SF-JB-MOTIONSENSOR-RMT

Comes with 6 default modes with different options:

- Trim-level (Dimming % when turned on)
- Sensitivity (Sensor sensitivity to movement)
- Hold time (Time before the fixture goes to standby mode)
- Standby dim percentage (Dimming % when no movement)
- Standby time (Time before the fixture turns off after standby)
- Photocell (Sensitivity for the lumens adjustment to natural light)

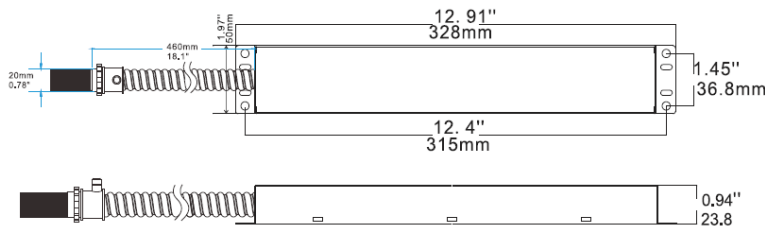
CONTROL ACCESSORIES

EMERGENCY BATTERY BACK UP

BLD-HM8D-YYY



The BLD-HMXXD-YYY series LED Emergency Driver is UL listed for field and factory installations. It switches to emergency mode during power failures, providing up to 90 minutes of lighting. With an integrated battery, charger, and converter, it delivers 6-25W constant power at 170VDC. Ideal for 0-10V dimmable indoor commercial LED fixtures, such as flat panels, troffers, downlights, and linear strip lights.

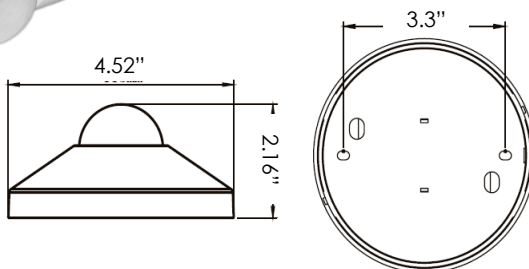


SPECIFICATIONS	
Input Voltage	100-347 Vac
Power Frequency	50/60HZ
Input Power	8W max
Output Voltage	170V Dc
Output Power	8W
Ambient Temperature	0°C to 50°C
	30°F to 122°F
Installation	Remote

ROOM OCCUPANCY SENSOR

Ordered separately, field installed

PART NUMBER	DESCRIPTION
AE-CT-DT806	Detecta - Room Occupancy Sensor
RC102	RC102 Remote Control



SPECIFICATIONS		
Input Voltage	120-277 Vac	
Power Frequency	50/60HZ	
Rated Load	At 120 Vac	800W
	At 277 Vac	1200W
Detection Range	3-10 Meters	
	9.8- 32.8 Feet	
Standby Power	~0.9W	
Time Setting	10 sec to 30 min	
Light Control	10-2,000LUX	
Installation	Ceiling Mounted	

LUMEN ESTIMATE

Lumen output varies based on CCT and CRI. An estimate of lumen output of the various CCT/CRI combinations, as shown below:

LUMEN ESTIMATE ADJUSTMENT FACTORS

CCT	3000K	3500K	4000K
80CRI	0.94	0.97	1

PHOTOMETRIC DATA

PART NUMBER		ZONAL LUMEN SUMMARY		POLAR LUMINOUS INTENSITY	CONE DISTRIBUTION				
AE-RC-MBCA-14LBNXX		Zone	Lumens	% Fixture	Direct Light	Center Beam Fc	Beam Width		
Wattage	36W	0-20°	589.62	13.10		1.7ft	577 fc	4.8 ft	4.8 ft
CCT	3500K	0-30°	1245.43	27.80		3.3ft	153 fc	9.2 ft	9.3 ft
Distribution	120°	0-40°	2027.62	45.20		5.0ft	66.7 fc	14.0 ft	14.0 ft
		0-60°	3545.9	79.10		6.7ft	37.2 fc	18.7 ft	18.8 ft
		0-80°	4398.64	98.10		8.3ft	24.2 fc	23.2 ft	23.3 ft
		0-90°	4464.59	99.50		10.0ft	16.7 fc	28.0 ft	28.1 ft
					■ Vert. Spread: 108.9° ■ Horiz. Spread: 109.1°				

PART NUMBER		ZONAL LUMEN SUMMARY		POLAR LUMINOUS INTENSITY	CONE DISTRIBUTION				
AE-RC-MBCA-22LBNXX		Zone	Lumens	% Fixture	Direct Light	Center Beam Fc	Beam Width		
Wattage	36W	0-20°	590.69	13.2		1.7ft	563 fc	4.6 ft	4.9 ft
CCT	3500K	0-30°	1246.09	27.8		3.3ft	149 fc	8.9 ft	9.4 ft
Distribution	120°	0-40°	2025.42	45.2		5.0ft	65.1 fc	13.5 ft	14.3 ft
		0-60°	3532.61	78.9		6.7ft	36.2 fc	18.0 ft	19.1 ft
		0-80°	4375.2	97.7		8.3ft	23.6 fc	22.3 ft	23.7 ft
		0-90°	4460.75	99.6		10.0ft	16.3 fc	26.9 ft	28.6 ft
					■ Vert. Spread: 106.8° ■ Horiz. Spread: 110.0°				

PART NUMBER		ZONAL LUMEN SUMMARY		POLAR LUMINOUS INTENSITY	CONE DISTRIBUTION				
AE-RC-MBCA-24LBNXX		Zone	Lumens	% Fixture	Direct Light	Center Beam Fc	Beam Width		
Wattage	45W	0-20°	755.84	12.9		1.7ft	718 fc	4.7 ft	4.9 ft
CCT	4000K	0-30°	1596.62	27.3		3.3ft	191 fc	9.2 ft	9.6 ft
Distribution	120°	0-40°	2599.12	44.4		5.0ft	83.1 fc	13.9 ft	14.5 ft
		0-60°	4552.07	77.8		6.7ft	46.3 fc	18.7 ft	19.4 ft
		0-80°	5700.45	97.4		8.3ft	30.1 fc	23.1 ft	24.0 ft
		0-90°	5828.24	99.6		10.0ft	20.8 fc	27.9 ft	29.0 ft
					■ Vert. Spread: 108.7° ■ Horiz. Spread: 110.8°				

PART NUMBER		ZONAL LUMEN SUMMARY		POLAR LUMINOUS INTENSITY	CONE DISTRIBUTION				
AE-RC-MBCA-25LBNXX		Zone	Lumens	% Fixture	Direct Light	Center Beam Fc	Beam Width		
Wattage	50W	0-20°	720.37	12.1		1.7ft	682 fc	5.0 ft	5.9 ft
CCT	4000K	0-30°	1530.98	25.6		3.3ft	181 fc	9.6 ft	11.5 ft
Distribution	120°	0-40°	2513.56	42.1		5.0ft	78.8 fc	14.6 ft	17.5 ft
		0-60°	4498.4	75.3		6.7ft	43.9 fc	19.5 ft	23.4 ft
		0-80°	5778.76	96.7		8.3ft	28.6 fc	24.2 ft	29.0 ft
		0-90°	5972.25	99.9		10.0ft	19.7 fc	29.2 ft	34.9 ft
					■ Vert. Spread: 111.1° ■ Horiz. Spread: 120.4°				

DLC MODELS



DLC MODEL	PRODUCT ID
AE-RC-MBCA2224N35/40/50010WH[EM,MS,BM,2.4G,Blank]	S-UJS38P
AE-RC-MBCA2230N35/40/50010WH[EM,MS,BM,2.4G,Blank]	S-KCPBNE
AE-RC-MBCA222LBN35/40/50010WH[EM,MS,BM,2.4G,Blank]	S-XKYWRV
AE-RC-MBCA2424N35/40/50010WH[EM,MS,BM,2.4G,Blank]	S-O4BXZJ
AE-RC-MBCA2436N35/40/50010WH[EM,MS,BM,2.4G,Blank]	S-6S8LFU
AE-RC-MBCA24LBN35/40/50010WH[EM,MS,BM,2.4G,Blank]	S-YH4LOB
AE-RC-MBCA25LBN35/40/50010WH	S-89G2SX

DIMMER COMPATIBILITY LIST

0-10V Dimming

Brand	Model
LEVITON	IP710-LFZ
	DS710
LUTRON	DVS7V-WH
	MS-Z101
HUBBLE	LHDIRS3N
EATON	WBSD-010SLD
LEGRAND	RH4FBL3PTC

OVERVIEW



Innovative Design

- Aluminum die-cast Frame
- Enhanced quality diffuser ensures high efficiency light output for a clean, evenly illuminated surface



Emergency backup battery Motion Sensor



Multiple Selections

- 1x4', 2x2', 2x4', and 2x5' sizes.
- Three CCT options available.



Features

- Air return feature; Improves heat dissipation through the holes.
- Lutron smart control.



Tests And Certifications



Mounting Options

- Surface Mount
- Gypsum
- Suspended
- Suspended with surface mount kit
- Recessed -T grid

