

ODYSSEY

TRACK LED LIGHT

Rectangular Track Head | Wall Wash | 4.3" Aperture

The ODYSSEY is a robust wall-wash track fixture combines durability and elegance. Crafted from aluminum die-cast for superior heat dissipation, it delivers 27 watts of power with linear beam distribution for beautifully even lighting. Featuring TRIAC dimming and four CCT options, it offers customizable brightness to suit any ambiance. With a high CRI of 90, colors are brought to life with stunning clarity.

Applications: Art Galleries | Show Rooms | Retail Stores | Hospitality

	DATE	QTY	ACC. QTY	TYPE
PROJECT				
PN				
ACCESSORY PN				
NOTES				



DYNAMIC MENU

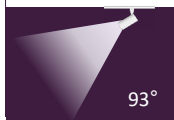
Order Information	Page 2
Dimensions	Page 3
Accessories	Page 3
Photometric Data	Page 5

[Install Instruction Link](#)

SPECIFICATIONS

Input Voltage	120V
Power Factor	>0.9
Total Harmonic Distortion	<20%
Dimming Page 4	TRIAC dimming
CRI	90 CRI
CCT	<div style="display: flex; gap: 10px;"> <div style="border: 1px solid black; border-radius: 50%; width: 20px; height: 20px; background-color: #fff9c4; display: flex; align-items: center; justify-content: center;">27K</div> <div style="border: 1px solid black; border-radius: 50%; width: 20px; height: 20px; background-color: #fff176; display: flex; align-items: center; justify-content: center;">30K</div> <div style="border: 1px solid black; border-radius: 50%; width: 20px; height: 20px; background-color: #c8e6c9; display: flex; align-items: center; justify-content: center;">35K</div> <div style="border: 1px solid black; border-radius: 50%; width: 20px; height: 20px; background-color: #bbdefb; display: flex; align-items: center; justify-content: center;">40K</div> </div>
Efficacy	~95 lm/W
Power	27 W
Ambient Temperature Range	-10°C to 35°C
Mounting Adapter	Juno Global Halo Lightolier
Mounting Options	Track System Monopoint
Fixture Finish	Black White Silver

Distribution



PRODUCT CERTIFICATIONS



SYSTEM WARRANTY – 5 YEARS

Eralux will warrant defective drivers, LEDs and boards for 5 years from the date of purchase. This warranty is valid only if the fixture is installed and used as per installation guides and specifications. If a defect is present, Eralux will send drivers and boards at no fee with a thorough replacement instructions along with instructions on the return of the defective parts back to Eralux.

LUMEN MAINTENANCE – L70 at 50,000 hours

Rated for 70% initial lumen output at 50,000 hours of operation, operated at 25°C ambient temperature; per guidelines published by the Illuminating Engineering Society (IES).

TRACK LED LIGHT

Rectangular Track Head | Wall Wash | 4.3" Aperture

ORDERING GUIDE

AE-TL-OD	12	WW	P			
AE-TL-OD ERALUX Odyssey Track Head	12 120V	WW Wall Wash 93° 2620 Lumens At 4000K	P Premium 90 CRI	27 2700K 30 3000K 35 3500K 40 4000K	J1 Juno G1 Global H1 Halo L1 Lightolier	BK Black powder coat WH White powder coat SV Silver powder coat

Fixture Family	Input Voltage	Distribution	CRI	CCT	Adapter	Finish
-----------------------	----------------------	---------------------	------------	------------	----------------	---------------

ORDERING GUIDE-ACCESSORIES

Ordered separately

T10016 Monopoint Mounting	-BLK Black
T10017 Duopoint Mounting	-WHT White
	-SLV Silver

Mounting	Finish
-----------------	---------------

ORDERING GUIDE- TRACK SYSTEM

Track system and components are ordered with the track head if needed.

Refer to the links below for more information

T1 ERALUX Track T1 Compatible with Juno system-1 circuit	-2 2ft track -4 4ft track -6 6ft track -8 8ft track -12 12ft track	-BK Black Finish		
T2 ERALUX Track T2 Compatible with Juno system-2 circuit	0001 Mini I Connector 0002 T Connector 0003 L Connector 0004 X Connector 0015 End Feed	-WH White Finish		
H1 ERALUX Track H1 Compatible with Halo system-1 circuit		-SV Silver Finish		

TRACK SYSTEM	Track System	Finish	PN	QTY
---------------------	---------------------	---------------	-----------	------------

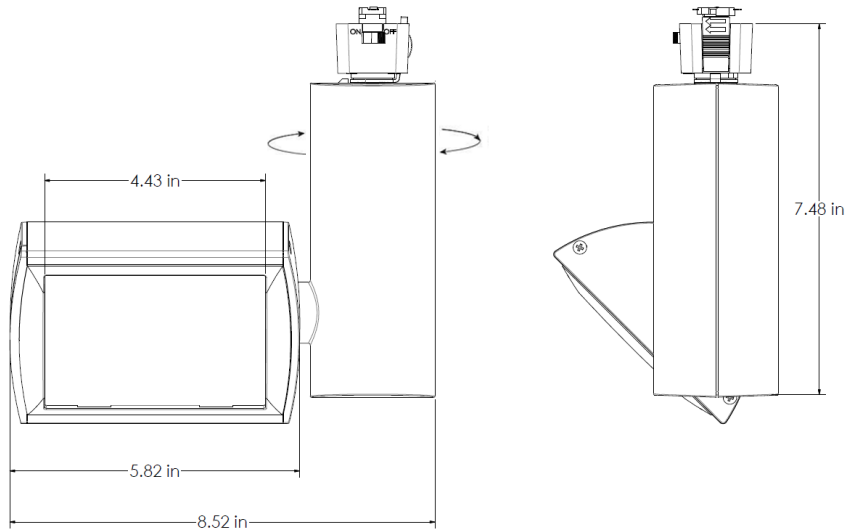
TRACK LED LIGHT

Rectangular Track Head | Wall Wash | 4.3" Aperture

DIMENSIONS

AE-TL-OD12WWXX

- Rotation up to 355°
- Tilt +/- 90°



ACCESSORIES MOUNTING

ORDERING CODE		DESCRIPTION	PICTURE
T10016	-WH	Monopoint adapter Surface / wall mount Compatible with Juno system 1 Track head can be installed.	
	-BK		
T10017	-WH	Duopoint adapter Surface / wall mount Compatible with Juno system. 2 Track heads can be installed.	
	-BK		

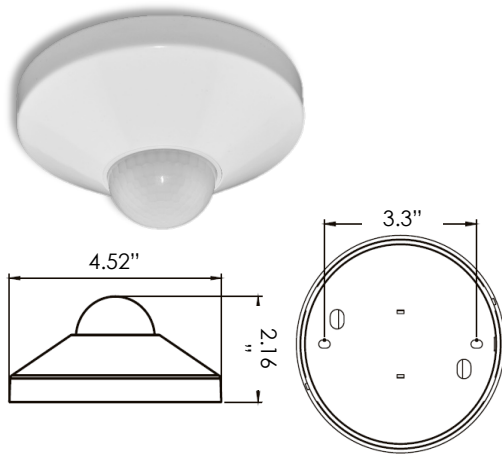
TRACK LED LIGHT

Rectangular Track Head | Wall Wash | 4.3" Aperture

ROOM OCCUPANCY SENSOR

Ordered separately, field installed

PART NUMBER	DESCRIPTION
AE-CT-DT806	Line Voltage Motion Sensor
RC102	RC102 Remote Control



SPECIFICATIONS		
Input Voltage	120-277 Vac	
Power Frequency	50/60HZ	
Rated Load	At 120 Vac	800W
	At 277 Vac	1200W
Detection Range	3-10 Meters	
	9.8-32.75 Feet	
Standby Power	~0.9W	
Time Setting	10 sec to 30 min	
Light Control	10-2,000LUX	
Installation	Ceiling Mounted	

DIMMER COMPATIBILITY LIST

TRIAC/ELV Dimming

Brand	Model	Brand	Model	Brand	Model
Lutron	S-603PG	Leviton	IPI06-1LZ	Cooper	SLC03P
	DVELV-303P		6631-2		DLC03P
	CT-103P		6683-IW		DAL06P
	SELV-300P		IPE04	Lightlolier	ZP260QEW
	S-600P		6161		
	DVCL-153P		6633-P		
	MAELV-600	VPE06			
	DV-600P				
	TGCL-153P				
	TG-600P				
	LG-600P				
	FAELV-500				

TRACK LED LIGHT

Rectangular Track Head | Wall Wash | 4.3" Aperture

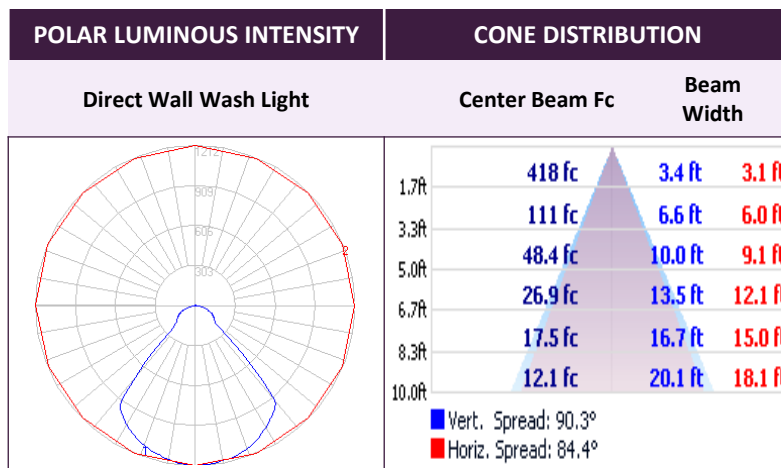
LUMEN ESTIMATE

Lumen output varies based on CCT and CRI. An estimate of lumen output of the various CCT/CRI combinations, use correction factors as per table below:

LUMEN ESTIMATE ADJUSTMENT FACTORS				
CCT	2700K	3000K	3500K	4000K
PREMIUM (90CRI)	0.78	0.81	0.84	0.86

PHOTOMETRIC DATA

PART NUMBER		ZONAL LUMEN SUMMARY		
AE-TL-OD12WWP30XXXX		Zone	Lumens	% Fixture
Wattage	27W	0-20°	443.64	17.90
CCT	3000K	0-30°	950.96	38.40
Distribution	93°	0-40°	1572.78	63.50
		0-80°	2432.19	98.20
		0-90°	2447.41	98.80



TRACK LED LIGHT

Rectangular Track Head | Wall Wash | 4.3" Aperture

OVERVIEW



Innovative Design

- Die-cast aluminum housing for better heat dissipation.
- Improved design extends LED and driver lifespan.



Multiple Options

- Four CCTs available.
- 90 CRI
- 3 finishes include white, black and silver



Feature

- Wall wash; Distribution 93°



Mountings Available

- Choose from any of the popular track systems such as Juno, Halo, Lightolier, or Global.
- Surface mount with either monopoint or duopoint adapters.



Tests And Certifications

