

OSIRIS

TRACK LED LIGHT

Cylinder Track Head | 2.2", 2.7", 3.7" Aperture

The OSIRIS features a distinctive design with a smooth heatsink and a vertical driver enclosure. It is available in three different sizes and offers power options of 20W, 27W, and 51W, delivering 74-92 lumens per watt. Users can choose from three beam distributions: narrow flood, flood, and wide flood. Made from durable aluminum die-cast material, the standard model has a 90 CRI for excellent light quality.

Applications: Art Galleries | Show Rooms | Retail Stores | Hospitality.

	DATE	QTY	ACC. QTY	TYPE
PROJECT				
PN				
ACCESSORY PN				
NOTES				



DYNAMIC MENU

Order Information	Page 2
Dimensions	Page 3
Accessories	Page 3
Photometric Data	Page 5

[Install Instruction link](#)

SPECIFICATIONS

Input Voltage	120V
Power Factor	>0.9
Total Harmonic Distortion	<20%
Dimming Page 3	TRIAC dimming
CRI	90 CRI
CCT	<div style="display: flex; gap: 10px;"> <div style="border: 1px solid black; border-radius: 50%; width: 20px; height: 20px; background-color: #fff9c4; display: flex; align-items: center; justify-content: center;">27K</div> <div style="border: 1px solid black; border-radius: 50%; width: 20px; height: 20px; background-color: #fff176; display: flex; align-items: center; justify-content: center;">30K</div> <div style="border: 1px solid black; border-radius: 50%; width: 20px; height: 20px; background-color: #e0e0e0; display: flex; align-items: center; justify-content: center;">35K</div> <div style="border: 1px solid black; border-radius: 50%; width: 20px; height: 20px; background-color: #bbdefb; display: flex; align-items: center; justify-content: center;">40K</div> </div>
Efficacy	~74-92 lm/W
Power	20W 27W 51W
Ambient Temperature Range	-10°C to 35°C
Mounting Adapter	Juno Global Halo Lightolier
Mounting Options	Track System Monopoint
Fixture Finish	Black White Silver
Distribution	Narrow Flood Wide



PRODUCT CERTIFICATIONS



SYSTEM WARRANTY – 5 YEARS

Eralux will warrant defective drivers, LEDs and boards for 5 years from the date of purchase. This warranty is valid only if the fixture is installed and used as per installation guides and specifications. If a defect is present, Eralux will send drivers and boards at no fee with a thorough replacement instructions along with instructions on the return of the defective parts back to Eralux.

LUMEN MAINTENANCE – L70 at 50,000 hours

Rated for 70% initial lumen output at 50,000 hours of operation, operated at 25°C ambient temperature; per guidelines published by the Illuminating Engineering Society (IES).

TRACK LED LIGHT

Cylinder Track Head | 2.2", 2.7", 3.7" Aperture



ORDERING GUIDE

AE-TL-OS		12					
AE-TL-OS ERALUX Osiris Track Head	13 20W 1590 lm 29 27W 2100 lm 43 51W 4430 lm	12 120V input voltage	NF Narrow Flood 20° FL Flood 40° WF Wide Flood 59°	P Premium 90 CRI S¹ Superior HIGH-GAI	27 2700K 30 3000K 35 3500K 40 4000K	J1 Juno G1 Global H1 Halo L1 Lightolier	BK Black powder coat WH White powder coat SV Silver powder Coat

Fixture Family	Lumens	Voltage	Distribution	CRI	CCT	Adapter	Finish
-----------------------	---------------	----------------	---------------------	------------	------------	----------------	---------------

1. Available only at 3000k & 3500k



ORDERING GUIDE-ACCESSORIES

Ordered separately

T10016 Monopoint Mounting T10017 Duopoint Mounting	-BK Black -WH White
Mounting	Finish

ORDERING GUIDE- TRACK SYSTEM

Track system and components are ordered with the track head if needed.

Refer to the links below for more information

T1
ERALUX Track T1
Compatible with Juno system-1 circuit

T2
ERALUX Track T2
Compatible with Juno system-2 circuit

H1
ERALUX Track H1
Compatible with Halo system-1 circuit

- 2** 2ft track
- 4** 4ft track
- 6** 6ft track
- 8** 8ft track
- 12** 12ft track
- 0001** Mini I Connector
- 0002** T Connector
- 0003** L Connector
- 0004** X Connector
- 0015** End Feed

-BK
Black Finish

-WH
White Finish

Track System	Component	Finish	PN	QTY
---------------------	------------------	---------------	-----------	------------

TRACK LED LIGHT

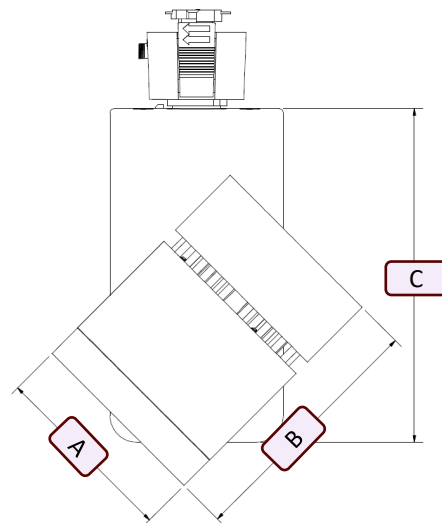
Cylinder Track Head | 2.2", 2.7", 3.7" Aperture

DIMENSIONS

AE-TL-OS

- Rotation up to 355°
- Tilt +/- 90°

Dimensions			
	AE-TL-OS13	AE-TL-OS29	AE-TL-OS43
A	Ø 2.76 in	Ø 3.60 in	Ø 4.79 in
B	3.72 in	4.35 in	5.61 in
C	7.02 in	7.15 in	8.19 in



ACCESSORIES

MOUNTING

ORDERING CODE	DESCRIPTION	PICTURE
T10016	Monopoint adapter Surface / wall mount Compatible with Juno system 1 Track head can be installed.	
T10017	Duopoint adapter Surface / wall mount Compatible with Juno system. 2 Track heads can be installed.	

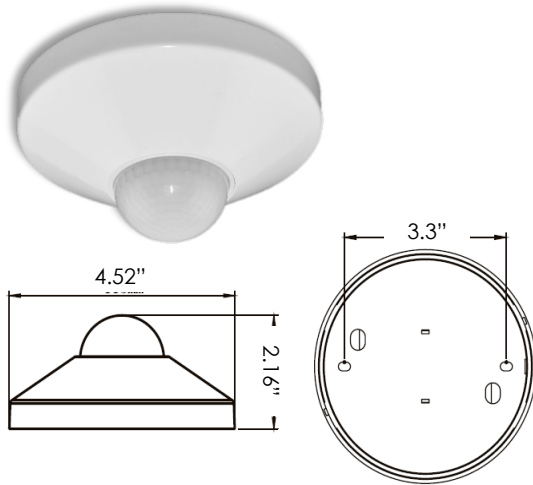
TRACK LED LIGHT

Cylinder Track Head | 2.2", 2.7", 3.7" Aperture

ROOM OCCUPANCY SENSOR

Ordered separately, field installed

PART NUMBER	DESCRIPTION
AE-CT-DT806	Line Voltage Motion Sensor
RC102	RC102 Remote Control



SPECIFICATIONS		
Input Voltage	120-277 Vac	
Power Frequency	50/60HZ	
Rated Load	At 120 Vac	800W
	At 277 Vac	1200W
Detection Range	3-10 Meters	
	9.8-32.75 Feet	
Standby Power	~0.9W	
Time Setting	10 sec to 30 min	
Light Control	10-2,000LUX	
Installation	Ceiling Mounted	

DIMMER COMPATIBILITY LIST

TRIAC/ELV Dimming

Brand	Model	Brand	Model
Lutron	S-603PG	Leviton	IPI06-1LZ
	DVELV-303P		6631-02-01
	CT-103P		6683-IW
	SELV-300P		IPE04
	DVCL-153P		6161
	MAELV-600		6633-P
	DV-600P		VPE06
	FAELV-500	Cooper	SLC03P
	TGCL-153P		DLC03P
	TG-600P		DAL06P
	S-600P	Lightloier	ZP260QEW
	LG-600P		

0-10V Dimming

Brand	Model
Lutron, Nova Series	NFTV
Lutron, Diva Series	DVTV
Leviton, Illumatech	IP710-DL

TRACK LED LIGHT

Cylinder Track Head | 2.2", 2.7", 3.7" Aperture

LUMEN ESTIMATE

Lumen output varies based on CCT and CRI. An estimate of lumen output of the various CCT/CRI combinations, use correction factors as per table below:

LUMEN ESTIMATE ADJUSTMENT FACTORS

CCT	2700K	3000K	3500K	4000K
90CRI	0.78	0.81	0.84	0.86

PHOTOMETRIC DATA

PART NUMBER		ZONAL LUMEN SUMMARY			POLAR LUMINOUS INTENSITY	CONE DISTRIBUTION			
AE-TL-OS4312NFP30X1XX		Zone	Lumens	% Fixture	Direct Light	Center Beam Fc		Beam Width	
Wattage	51W	0-20°	2564.91	56		1.7ft	5746 fc	0.6 ft	0.6 ft
CCT	3000K	0-30°	3764.1	82.2		3.3ft	1525 fc	1.2 ft	1.2 ft
Distribution	20°	0-40°	4258.02	93		5.0ft	664 fc	1.7 ft	1.8 ft
		0-60°	4397.12	96.1		6.7ft	370 fc	2.3 ft	2.4 ft
		0-80°	4487.27	98		8.3ft	241 fc	2.9 ft	3.0 ft
		0-90°	4503.72	98.4		10.0ft	166 fc	3.5 ft	3.6 ft
						■ Vert. Spread: 19.8° ■ Horiz. Spread: 20.4°			

PART NUMBER		ZONAL LUMEN SUMMARY			POLAR LUMINOUS INTENSITY	CONE DISTRIBUTION			
AE-TL-OS4312FLP30X1XX		Zone	Lumens	% Fixture	Direct Light	Center Beam Fc		Beam Width	
Wattage	51W	0-20°	2330.79	49.1		1.7ft	2889 fc	1.2 ft	1.3 ft
CCT	3000K	0-30°	3693.29	77.8		3.3ft	767 fc	2.4 ft	2.4 ft
Distribution	40°	0-40°	4233.75	89.2		5.0ft	334 fc	3.6 ft	3.7 ft
		0-60°	4432.52	93.3		6.7ft	186 fc	4.9 ft	5.0 ft
		0-80°	4568.83	96.2		8.3ft	121 fc	6.1 ft	6.1 ft
		0-90°	4601.83	96.9		10.0ft	83.5 fc	7.3 ft	7.4 ft
						■ Vert. Spread: 40.1° ■ Horiz. Spread: 40.6°			

PART NUMBER		ZONAL LUMEN SUMMARY			POLAR LUMINOUS INTENSITY	CONE DISTRIBUTION			
AE-TL-OS4312WFP30X1XX		Zone	Lumens	% Fixture	Direct Light	Center Beam Fc		Beam Width	
Wattage	51W	0-20°	1726.93	39.8		1.7ft	1816 fc	1.9 ft	1.9 ft
CCT	3000K	0-30°	3199.71	73.7		3.3ft	482 fc	3.7 ft	3.7 ft
Distribution	59°	0-40°	3988.36	91.8		5.0ft	210 fc	5.6 ft	5.6 ft
		0-60°	4213.11	97		6.7ft	117 fc	7.5 ft	7.5 ft
		0-80°	4286.06	98.7		8.3ft	76.2 fc	9.3 ft	9.3 ft
		0-90°	4296.85	98.9		10.0ft	52.5 fc	11.2 ft	11.2 ft
						■ Vert. Spread: 58.6° ■ Horiz. Spread: 58.6°			

TRACK LED LIGHT

Cylinder Track Head | 2.2", 2.7", 3.7" Aperture

OVERVIEW



Innovative Design

- High-quality aluminum die-cast for durability and strength.
- Improved design extends LED and driver lifespan.



Multiple Options

- Distribution varies between 3 beam angles.
- Four CCTs available.
- Black, white, and silver finishes.
- 3 different powers available 20, 27, 51W.



Tests And Certifications



Mountings Available

- Choose from any of the popular track systems such as Juno, Halo, Lightolier, or Global.
- Surface mount with either monopoint or duopoint adapters.

