

LED TRACK HEAD

Linear Snap-In Track Head | Jupiter Series

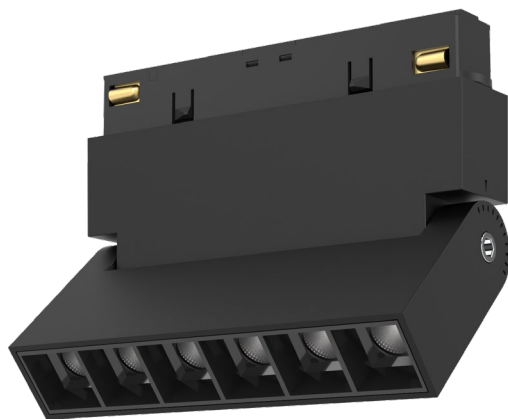
The Pandia is an adjustable linear track head compatible with the Jupiter snap-in track system, available in multiple beam angles, CCTs and finishes to suit a variety of applications. Its simple snap-in design allows for quick, straightforward installation. Once installed, the tilt is easily adjustable, making the Pandia an attractive addition to any space.

Applications: Art Galleries | Show Rooms | Retail Stores | Hospitality

DATE	QTY	ACC. QTY	TYPE
PROJECT			
PN			
ACCESSORY PN			
NOTES			

DYNAMIC MENU	
Order Information	Page 2
Dimensions	Page 3
Photometric Data	Page 4

[Install Instruction Link](#)



SPECIFICATIONS

Input Voltage	DC 48V
Power Factor	>0.9
Total Harmonic Distortion	<20%
Dimming	0-10V dimming available with external driver (ordered separately)
CRI	90 CRI
CCT	<div style="display: flex; gap: 10px;"> <div style="border: 1px solid black; border-radius: 50%; width: 20px; height: 20px; display: flex; align-items: center; justify-content: center;">30K</div> <div style="border: 1px solid black; border-radius: 50%; width: 20px; height: 20px; display: flex; align-items: center; justify-content: center;">40K</div> </div>
Efficacy	84 LPW
Power	11W
Mounting Adapter	Jupiter snap-in track
Fixture Finish	Black White
Housing Material	Die-Cast Aluminum

Distribution



PRODUCT CERTIFICATIONS



SYSTEM WARRANTY – 3 YEARS

Eralux will warrant defective drivers, LEDs and boards for 3 years from the date of purchase. This warranty is valid only if the fixture is installed and used as per installation guides and specifications. If a defect is present, Eralux will send drivers and boards at no fee with a thorough replacement instructions along with instructions on the return of the defective parts back to Eralux.

LUMEN MAINTENANCE – L70 at 55,000 hours

Rated for 70% initial lumen output at 55,000 hours of operation, operated at 25°C ambient temperature; per guidelines published by the Illuminating Engineering Society (IES).

LED TRACK LIGHT

Adjustable Linear Snap-In Track Head | 9" Length

ORDERING GUIDE

JP-PA	-11W			
JP-PA ERALUX Pandia Linear Track Head	-11W 11W 930 lm	-WF Wide Flood 29° -VW Very Wide Flood 48°	30 3000K 40 4000K	-BK Black -WH White

Fixture Family	Power	Distribution	CCT	Finish
-----------------------	--------------	---------------------	------------	---------------

NOTES

- The Pandia track head does not come with an integral driver. The ELG-75-48AB driver must be ordered separately. See Jupiter track spec sheets for more information.

JUPITER SNAP-IN TRACK SYSTEM

Available in 4ft or 8ft lengths.

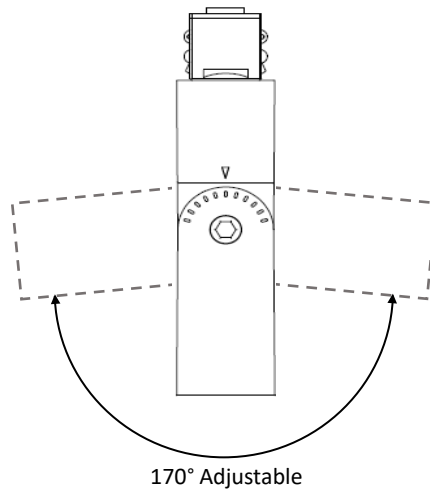
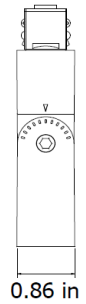
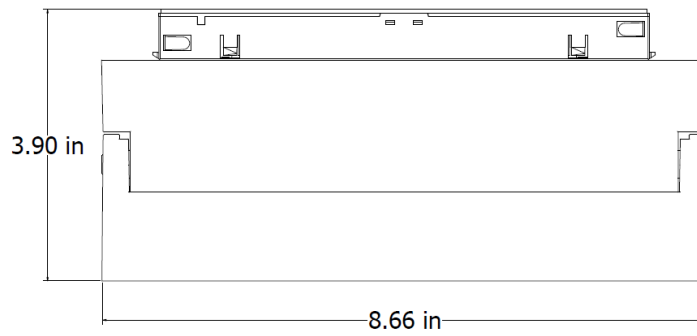
MODEL	DEPTH	MOUNTING	PICTURE
<u>ST6</u>	1"	Surface or Suspended	
<u>ST2</u>	2"		
<u>ST8</u>	1"	Recessed	
<u>ST18</u>	2"		

LED TRACK LIGHT

Adjustable Linear Snap-In Track Head | 9" Length

DIMENSIONS

- Tilt up to 170°



LED TRACK LIGHT

Adjustable Linear Snap-In Track Head | 9" Length

LUMEN ESTIMATE

Lumen output varies based on CCT and CRI. Use correction factors as per table below:

LUMEN ESTIMATE ADJUSTMENT FACTORS		
CCT	3000K	4000K
PREMIUM (90CRI)	1	1.06

PHOTOMETRIC DATA

PART NUMBER		ZONAL LUMEN SUMMARY			POLAR LUMINOUS INTENSITY	CONE DISTRIBUTION			
JP-PA-11W-WF30-XX		Zone	Lumens	% Fixture	Direct Light	Center Beam Fc	Beam Width		
Wattage	11W	0-20°	628.89	73.9		2.5ft	463 fc	1.3 ft	1.3 ft
CCT	3000K	0-30°	822.17	96.6		5.0ft	116 fc	2.6 ft	2.6 ft
Distribution	29°	0-40°	843.27	99.1		7.5ft	51.5 fc	3.9 ft	3.8 ft
Lumens	851	0-60°	846.30	99.4		10.0ft	29 fc	5.2 ft	5.1 ft
		0-80°	846.30	99.4		12.5ft	18.5 fc	6.5 ft	6.4 ft
		0-90°	846.30	99.4	15.0ft	12.9 fc	7.8 ft	7.7 ft	
						■ Vert. Spread: 29.0° ■ Horiz. Spread: 28.8°			

PART NUMBER		ZONAL LUMEN SUMMARY			POLAR LUMINOUS INTENSITY	CONE DISTRIBUTION			
JP-PA-11W-VW30-XX		Zone	Lumens	% Fixture	Direct Light	Center Beam Fc	Beam Width		
Wattage	11W	0-20°	488.22	52.7		2.5ft	229 fc	2.2 ft	2.3 ft
CCT	3000K	0-30°	816.19	88.1		5.0ft	57.2 fc	4.4 ft	4.6 ft
Distribution	48°	0-40°	909.75	98.2		7.5ft	25.4 fc	6.6 ft	6.8 ft
Lumens	926	0-60°	921.29	99.4		10.0ft	14.3 fc	8.8 ft	9.1 ft
		0-80°	921.31	99.5		12.5ft	9.16 fc	10.9 ft	11.4 ft
		0-90°	921.31	99.5	15.0ft	6.36 fc	13.1 ft	13.7 ft	
						■ Vert. Spread: 47.3° ■ Horiz. Spread: 49.1°			