

PIVOT

TRACK LED LIGHT

Cylinder Track Head | 1.5" Aperture

The PIVOT series is a small sized track head available in two beam angles, variety of CCT choices and three finishes; black, white, and silver. The PIVOT series redefines elegance and performance at an affordable budget. This product is compatible with all major track systems, in addition to surface mount using either on monopoint or duopoint. It brightens you space by offering 850 lumens

Applications: Art Galleries | Show Rooms | Retail Stores | Hospitality.

DATE	QTY	ACC. QTY	TYPE
PROJECT			
PN			
ACCESSORY PN			
NOTES			

DYNAMIC MENU	
Order Information	Page 2
Dimensions	Page 3
Accessories	Page 4
Photometric Data	Page 5

[Install Instruction link](#)

SPECIFICATIONS

Input Voltage	120V
Power Factor	>0.85
Total Harmonic Distortion	<20%
CRI	90 CRI
CCT	<div style="display: flex; gap: 10px;"> <div style="border: 1px solid black; border-radius: 50%; width: 20px; height: 20px; background-color: #fff9c4; display: flex; align-items: center; justify-content: center;">27K</div> <div style="border: 1px solid black; border-radius: 50%; width: 20px; height: 20px; background-color: #fff176; display: flex; align-items: center; justify-content: center;">30K</div> <div style="border: 1px solid black; border-radius: 50%; width: 20px; height: 20px; background-color: #e0e0e0; display: flex; align-items: center; justify-content: center;">35K</div> <div style="border: 1px solid black; border-radius: 50%; width: 20px; height: 20px; background-color: #bbdefb; display: flex; align-items: center; justify-content: center;">40K</div> </div>
Efficacy	~70-77 lm/W
Power	11 W
Ambient Temperature Range	-10°C to 35°C
Mounting Adapter	Juno Global Halo Lightolier
Mounting Options	Track System Monopoint
Fixture Finish	Black White Silver
Distribution	Flood Wide



PRODUCT CERTIFICATIONS



SYSTEM WARRANTY – 5 YEARS

Eralux will warrant defective drivers, LEDs and boards for 5 years from the date of purchase. This warranty is valid only if the fixture is installed and used as per installation guides and specifications. If a defect is present, Eralux will send drivers and boards at no fee with a thorough replacement instructions along with instructions on the return of the defective parts back to Eralux.

LUMEN MAINTENANCE – L70 at 50,000 hours

Rated for 70% initial lumen output at 50,000 hours of operation, operated at 25°C ambient temperature; per guidelines published by the Illuminating Engineering Society (IES).

TRACK LED LIGHT

Cylinder Track Head | 1.5" Aperture



ORDERING GUIDE

AE-TL-PV	11	12		P			
AE-TL-PV ERALUX Pivot Track Head	11 11 W 850 lm	12 120V AC	FL Flood 20° WF Wide Flood 36°	P Premium 90 CRI	27 2700K 30 3000K 35 3500K 40 4000K	J1 Juno G1 Global H1 Halo L1 Lightolier	BK Black powder coat WH White powder coat SV Silver powder Coat

Fixture Family	Lumen	Voltage	Distribution	CRI	CCT	Adapter	Finish
----------------	-------	---------	--------------	-----	-----	---------	--------



ORDERING GUIDE-ACCESSORIES

Ordered separately

T10016 Monopoint Mounting	-BK Black
T10017 Duopoint Mounting	-WH White
Mounting	Finish

ORDERING GUIDE- TRACK SYSTEM

Track system and components are ordered with the track head if needed.

Refer to the links below for more information

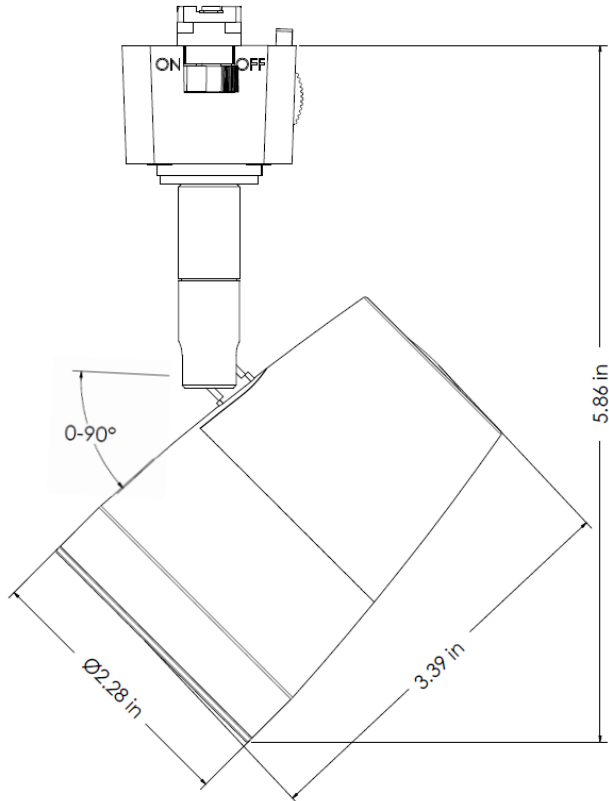
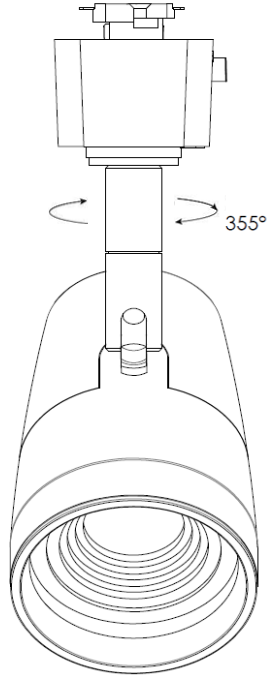
T1 ERALUX Track T1 Compatible with Juno system-1 circuit	-2 2ft track -4 4ft track -6 6ft track -8 8ft track -12 12ft track	-BK Black Finish	
T2 ERALUX Track T2 Compatible with Juno system-2 circuit	0001 Mini I Connector 0002 T Connector 0003 L Connector 0004 X Connector 0015 End Feed	-WH White Finish	

Track System	Components	Finish	PN	QTY
---------------------	-------------------	---------------	-----------	------------

DIMENSIONS

AE-TL-CDM-12

- Rotation up to 355°
- Tilt +/- 90°



MOUNTING

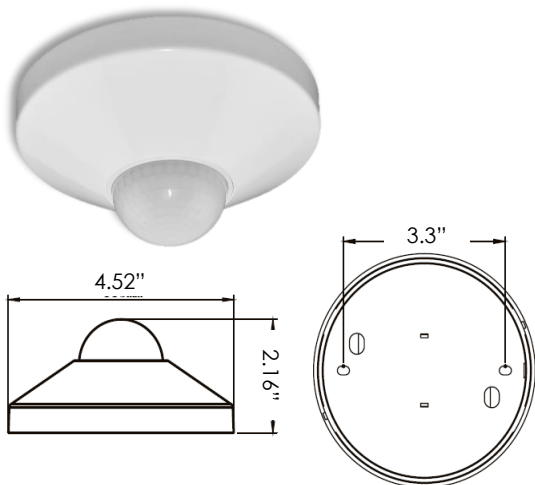
ORDERING CODE		DESCRIPTION	PICTURE
T10016	-WH	Monopoint adapter Surface / wall mount Compatible with Juno system 1 Track head can be installed.	
	-BK		
T10017	-WH	Duopoint adapter Surface / wall mount Compatible with Juno system. 2 Track heads can be installed.	
	-BK		

ROOM OCCUPANCY SENSOR

Ordered separately, field installed

PART NUMBER	DESCRIPTION
AE-CT-DT806	Detecta - Room Occupancy Sensor
RC102	RC102 Remote Control

SPECIFICATIONS	
Input Voltage	120-277 Vac
Power Frequency	50/60HZ
Rated Load	At 120 Vac 800W
	At 277 Vac 1200W
Detection Range	3-10 Meters
	9.8-32.75 Feet
Standby Power	~0.9W
Time Setting	10 sec to 30 min
Light Control	10-2,000LUX
Installation	Ceiling Mounted



LUMEN ESTIMATE

Lumen output varies based on CCT and CRI. An estimate of lumen output of the various CCT/CRI combinations, use correction factors as per table below:

LUMEN ESTIMATE ADJUSTMENT FACTORS

CCT	2700K	3000K	3500K	4000K
PREMIUM (90CRI)	0.96	1	1.03	1.06

PHOTOMETRIC DATA

PART NUMBER		ZONAL LUMEN SUMMARY			POLAR LUMINOUS INTENSITY	CONE DISTRIBUTION			
AE-TL-PV1112FLPXXX1XX		Zone	Lumens	% Fixture	Direct Light	Center Beam Fc	Beam Width		
Wattage	11W	0-20°	488.49	63.90		1.7ft	961 fc	0.7 ft	0.7 ft
CCT	3000K	0-30°	640.47	83.80		3.3ft	255 fc	1.4 ft	1.4 ft
Distribution	20°	0-40°	691.10	90.40		5.0ft	111 fc	2.1 ft	2.1 ft
CBCP	3670	0-60°	718.08	94.00		6.7ft	61.9 fc	2.8 ft	2.8 ft
		0-80°	729.80	95.50		8.3ft	40.3 fc	3.5 ft	3.5 ft
		0-90°	734.73	96.10	10.0ft	27.8 fc	4.2 ft	4.2 ft	
						■ Vert. Spread: 23.9° ■ Horiz. Spread: 23.9°			

PART NUMBER		ZONAL LUMEN SUMMARY			POLAR LUMINOUS INTENSITY	CONE DISTRIBUTION			
AE-TL-PV1112WFPXXX1XX		Zone	Lumens	% Fixture	Direct Light	Center Beam Fc	Beam Width		
Wattage	11W	0-20°	386.20	53.30		1.7ft	551 fc	1.0 ft	1.0 ft
CCT	3000K	0-30°	558.29	77.00		3.3ft	146 fc	2.0 ft	2.0 ft
Distribution	36°	0-40°	635.61	87.70		5.0ft	63.7 fc	3.0 ft	3.0 ft
CBCP	1650	0-60°	673.25	92.90		6.7ft	35.5 fc	4.1 ft	4.0 ft
		0-80°	687.90	94.90		8.3ft	23.1 fc	5.0 ft	5.0 ft
		0-90°	693.33	95.60	10.0ft	15.9 fc	6.1 ft	6.0 ft	
						■ Vert. Spread: 33.7° ■ Horiz. Spread: 33.4°			

OVERVIEW



Innovative Design

- Die cast aluminum housing for better heat dissipation.
- Improved design extends LED and driver lifespan.



Multiple Options

- 20° or 36° beam angles.
- Four CCTs available.
- Black, white, and silver finishes.



Mountings Available

- Choose from any of the popular track systems such as Juno, Halo, Lightolier, or Global.
- Surface mount with either monopoint or duopoint adapters.



Tests And Certifications

