

# PIVOT

## TRACK LED LIGHT

### Cylinder Track Head | 1.5" Aperture

The PIVOT series is a small sized track head available in two beam angles, variety of CCT choices and three finishes; black, white, and silver. The PIVOT series redefines elegance and performance at an affordable budget. This product is compatible with all major track systems, in addition to surface mount using either on monopoint or duopoint. It brightens you space by offering 850 lumens

Applications: Art Galleries | Show Rooms | Retail Stores | Hospitality

DATE	QTY	ACC. QTY	TYPE
<b>PROJECT</b>			
<b>PN</b>			
<b>ACCESSORY PN</b>			
<b>NOTES</b>			



### DYNAMIC MENU

Order Information	<a href="#">Page 2</a>
Dimensions	<a href="#">Page 3</a>
Accessories	<a href="#">Page 4</a>
Photometric Data	<a href="#">Page 5</a>

[Install Instruction link](#)

### SPECIFICATIONS

<b>Dimming</b>	No Dimming
<b>Input Voltage</b>	120V
<b>Power Factor</b>	>0.85
<b>Total Harmonic Distortion</b>	<20%
<b>CRI</b>	90 CRI
<b>CCT</b>	<div style="display: flex; gap: 10px;"> <div style="background-color: #fff9c4; border-radius: 50%; width: 20px; height: 20px; display: flex; align-items: center; justify-content: center;">27K</div> <div style="background-color: #fff176; border-radius: 50%; width: 20px; height: 20px; display: flex; align-items: center; justify-content: center;">30K</div> <div style="background-color: #c8e6c9; border-radius: 50%; width: 20px; height: 20px; display: flex; align-items: center; justify-content: center;">35K</div> <div style="background-color: #bbdefb; border-radius: 50%; width: 20px; height: 20px; display: flex; align-items: center; justify-content: center;">40K</div> </div>
<b>Efficacy</b>	~70-77 lm/W
<b>Power</b>	11 W
<b>Ambient Temperature Range</b>	-10°C to 35°C
<b>Mounting Adapter</b>	Juno   Global   Halo   Lightolier
<b>Mounting Options</b>	Track System   Monopoint
<b>Fixture Finish</b>	Black   White   Silver
<b>Distribution</b>	Flood   Wide 



### PRODUCT CERTIFICATIONS



### SYSTEM WARRANTY – 5 YEARS

Eralux will warrant defective drivers, LEDs and boards for 5 years from the date of purchase. This warranty is valid only if the fixture is installed and used as per installation guides and specifications. If a defect is present, Eralux will send drivers and boards at no fee with a thorough replacement instructions along with instructions on the return of the defective parts back to Eralux.

### LUMEN MAINTENANCE – L70 at 50,000 hours

Rated for 70% initial lumen output at 50,000 hours of operation, operated at 25°C ambient temperature; per guidelines published by the Illuminating Engineering Society (IES).

## TRACK LED LIGHT

Cylinder Track Head | 1.5" Aperture



### ORDERING GUIDE

<b>AE-TL-PV</b>	<b>11</b>	<b>12</b>		<b>P</b>			
<b>AE-TL-PV</b> ERALUX Pivot Track Head	<b>11</b> 11 W   850 lm	<b>12</b> 120V AC	<b>FL</b> Flood 20° <b>WF</b> Wide Flood 36°	<b>P</b> Premium 90 CRI	<b>27</b> 2700K <b>30</b> 3000K <b>35</b> 3500K <b>40</b> 4000K	<b>J1</b> Juno <b>G1</b> Global <b>H1</b> Halo <b>L1</b> Lightolier	<b>BK</b> Black powder coat <b>WH</b> White powder coat <b>SLV</b> Silver powder coat

<b>Fixture Family</b>	<b>Lumen</b>	<b>Voltage</b>	<b>Distribution</b>	<b>CRI</b>	<b>CCT</b>	<b>Adapter</b>	<b>Finish</b>
-----------------------	--------------	----------------	---------------------	------------	------------	----------------	---------------



### ORDERING GUIDE-ACCESSORIES

Ordered separately

<b>T10016</b> Monopoint Mounting	<b>-BLK</b> Black
<b>T10017</b> Duopoint Mounting	<b>-WHT</b> White
	<b>-SLV</b> Silver

<b>Mounting</b>	<b>Finish</b>
-----------------	---------------



### ORDERING GUIDE- TRACK SYSTEM

Track system and components are ordered with the track head if needed.

Refer to the links below for more information

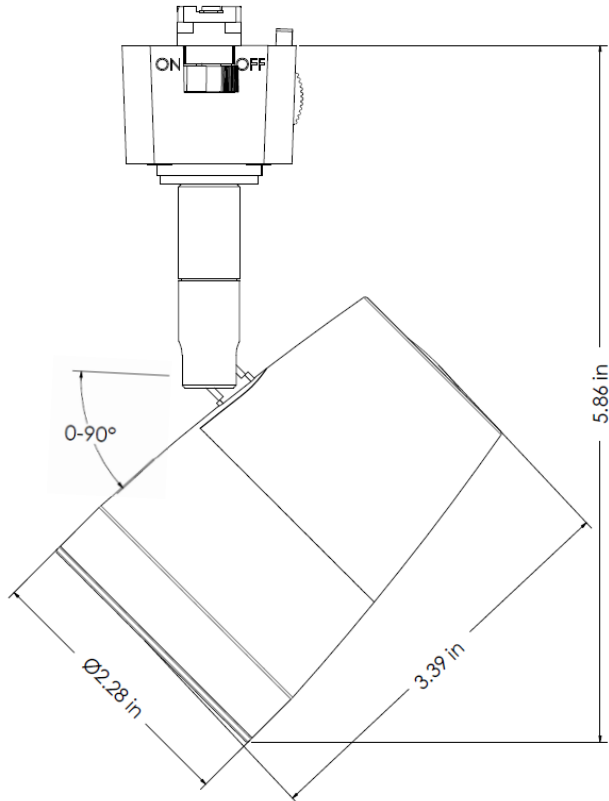
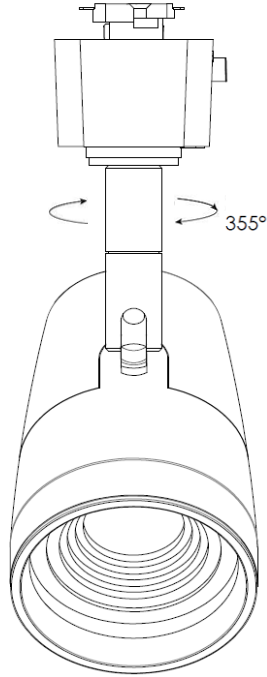
<b>T1</b> ERALUX Track T1 Compatible with Juno system-1 circuit	<b>-2</b> 2ft track <b>-4</b> 4ft track <b>-6</b> 6ft track <b>-8</b> 8ft track <b>-12</b> 12ft track	<b>-BLK</b> Black Finish	
<b>T2</b> ERALUX Track T2 Compatible with Juno system-2 circuit	<b>0001</b> Mini I Connector <b>0002</b> T Connector <b>0003</b> L Connector <b>0004</b> X Connector <b>0015</b> End Feed	<b>-WHT</b> White Finish	
<b>H1</b> ERALUX Track H1 Compatible with Halo system-1 circuit		<b>-SLV</b> Silver Finish	

<b>TRACK SYSTEM</b>	<b>Track System</b>	<b>Finish</b>	<b>PN</b>	<b>QTY</b>
---------------------	---------------------	---------------	-----------	------------

#### DIMENSIONS

AE-TL-CDM-12

- Rotation up to 355°
- Tilt +/- 90°



### MOUNTING

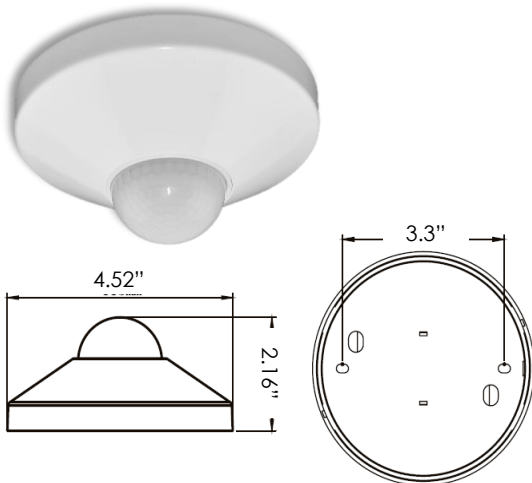
ORDERING CODE		DESCRIPTION	PICTURE
T10016	-WH	Monopoint adapter Surface / wall mount Compatible with Juno system 1 Track head can be installed.	
	-BK		
T10017	-WH	Duopoint adapter Surface / wall mount Compatible with Juno system. 2 Track heads can be installed.	
	-BK		

### ROOM OCCUPANCY SENSOR

Ordered separately, field installed

PART NUMBER	DESCRIPTION
AE-CT-DT806	Detecta - Room Occupancy Sensor
RC102	RC102 Remote Control

SPECIFICATIONS		
Input Voltage	120-277 Vac	
Power Frequency	50/60HZ	
Rated Load	At 120 Vac	800W
	At 277 Vac	1200W
Detection Range	3-10 Meters	
	9.8-32.75 Feet	
Standby Power	~0.9W	
Time Setting	10 sec to 30 min	
Light Control	10-2,000LUX	
Installation	Ceiling Mounted	



### LUMEN ESTIMATE

Lumen output varies based on CCT and CRI. An estimate of lumen output of the various CCT/CRI combinations, use correction factors as per table below:

#### LUMEN ESTIMATE ADJUSTMENT FACTORS

CCT	2700K	3000K	3500K	4000K
PREMIUM (90CRI)	0.96	1	1.03	1.06

### PHOTOMETRIC DATA

PART NUMBER		ZONAL LUMEN SUMMARY			POLAR LUMINOUS INTENSITY	CONE DISTRIBUTION			
AE-TL-PV1112FLPXXX1XX		Zone	Lumens	% Fixture	Direct Light	Center Beam Fc	Beam Width		
Wattage	11W	0-20°	488.49	63.90		1.7ft	961 fc	0.7 ft	0.7 ft
CCT	3000K	0-30°	640.47	83.80		3.3ft	255 fc	1.4 ft	1.4 ft
Distribution	20°	0-40°	691.10	90.40		5.0ft	111 fc	2.1 ft	2.1 ft
CBCP	3670	0-60°	718.08	94.00		6.7ft	61.9 fc	2.8 ft	2.8 ft
		0-80°	729.80	95.50		8.3ft	40.3 fc	3.5 ft	3.5 ft
		0-90°	734.73	96.10	10.0ft	27.8 fc	4.2 ft	4.2 ft	
						■ Vert. Spread: 23.9° ■ Horiz. Spread: 23.9°			

PART NUMBER		ZONAL LUMEN SUMMARY			POLAR LUMINOUS INTENSITY	CONE DISTRIBUTION			
AE-TL-PV1112WFPXXX1XX		Zone	Lumens	% Fixture	Direct Light	Center Beam Fc	Beam Width		
Wattage	11W	0-20°	386.20	53.30		1.7ft	551 fc	1.0 ft	1.0 ft
CCT	3000K	0-30°	558.29	77.00		3.3ft	146 fc	2.0 ft	2.0 ft
Distribution	36°	0-40°	635.61	87.70		5.0ft	63.7 fc	3.0 ft	3.0 ft
CBCP	1650	0-60°	673.25	92.90		6.7ft	35.5 fc	4.1 ft	4.0 ft
		0-80°	687.90	94.90		8.3ft	23.1 fc	5.0 ft	5.0 ft
		0-90°	693.33	95.60	10.0ft	15.9 fc	6.1 ft	6.0 ft	
						■ Vert. Spread: 33.7° ■ Horiz. Spread: 33.4°			

### OVERVIEW



#### Innovative Design

- Die-cast aluminum housing for better heat dissipation.
- Improved design extends LED and driver lifespan.



#### Multiple Options

- 20° or 36° beam angles.
- Four CCTs available.
- Black, white, and silver finishes.



#### Mountings Available

- Choose from any of the popular track systems such as Juno, Halo, Lightolier, or Global.
- Surface mount with either monopoint or duopoint adapters.



#### Tests And Certifications

