

APEX BOLLARDS

OUTDOOR LED LIGHT

Bollards | Ø 6.40 in | CCT & Power Switchable

The Apex Bollard Series offers an elegant lighting solution for outdoor spaces, with three power options, three CCT choices, and integrated photocell. These fixtures are built to withstand harsh weather conditions. Their advanced optical systems deliver effective illumination with minimal glare. Distinguished by exceptional photometric performance and efficiency, this bollard series provides a high-quality, economical lighting choice.

Applications: Garden | Industrial park | Walkway | Pathway


eralux®

	DATE	QTY	ACC. QTY	TYPE
PROJECT				
PN				
ACCESSORY PN				
NOTES				

DYNAMIC MENU	
Order Information	Page 2
Dimensions	Page 3
Photometric Data	Page 4

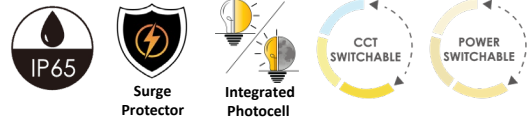
[Install Instruction link](#)

SPECIFICATIONS

Input Voltage	120-347V
Power Factor	>0.9
Total Harmonic Distortion	<20%
Dimming	0-10V dimming
CRI	70 CRI
CCT	<div style="display: flex; gap: 10px;"> <div style="border: 1px solid black; border-radius: 50%; width: 20px; height: 20px; background-color: #fff9c4; display: flex; align-items: center; justify-content: center;">30K</div> <div style="border: 1px solid black; border-radius: 50%; width: 20px; height: 20px; background-color: #bbdefb; display: flex; align-items: center; justify-content: center;">40K</div> <div style="border: 1px solid black; border-radius: 50%; width: 20px; height: 20px; background-color: #e1bee7; display: flex; align-items: center; justify-content: center;">50K</div> </div>
Efficacy	~150 lm/W
Power	14W 19W 24W
Ambient Temperature Range	-40°C to 45°C
Mounting Options	Concrete anchor mount
Fixture Finish	Black 
Protection	IP65; water and dust resistance 10KV surge protector
Distribution	360°
Lens	Polycarbonate
Shaft Height	30 in



PRODUCT FEATURES



PRODUCT CERTIFICATIONS



Design Lights Consortium® (DLC) qualified product. Not all versions of this product may be DLC qualified. Please check the DLC Qualified Products List at www.designlights.org/QPL to confirm which versions are qualified" [page 6](#)

SYSTEM WARRANTY – 5 YEARS

Eralux will warrant defective drivers, LEDs and boards for 5 years from the date of purchase. This warranty is valid only if the fixture is installed and used as per installation guides and specifications. If a defect is present, Eralux will send drivers and boards at no fee with a thorough replacement instructions along with instructions on the return of the defective parts back to Eralux.

LUMEN MAINTENANCE – L70 at 50,000 hours

Rated for 70% initial lumen output at 50,000 hours of operation, operated at 25°C ambient temperature; per guidelines published by the Illuminating Engineering Society (IES).

OUTDOOR LED LIGHT

Bollards | Ø 6.40 in | CCT & Power Switchable

ORDERING GUIDE

AE-OD		-24W	-TCP	-70	-BK
AE-OD ERALUX Outdoor Products Apex Bollard Series 120-347 VAC	-CS-CA Casey -SH-CA Shredder -BE-CA Bebop -BX-CA Baxter -RS-CA Rocksteady -KR-CA Krang	-24W 14/19/24W switchable 2100/2850/3600 lm	-TCP 3000/4000/5000K CCT Switchable	-70 70 CRI	-BK Powder coat black

Fixture Family	Bollard Head	Power	CCT	CRI	Finish
----------------	--------------	-------	-----	-----	--------

NOTE Integrated photocells comes with all fixtures, can be turned on/off on the field.

BOLLARDS HEAD

APEX BOLLARDS

CASEY



SHREDDER



BEBOP



BAXTER



ROCKSTEADY



KRANG



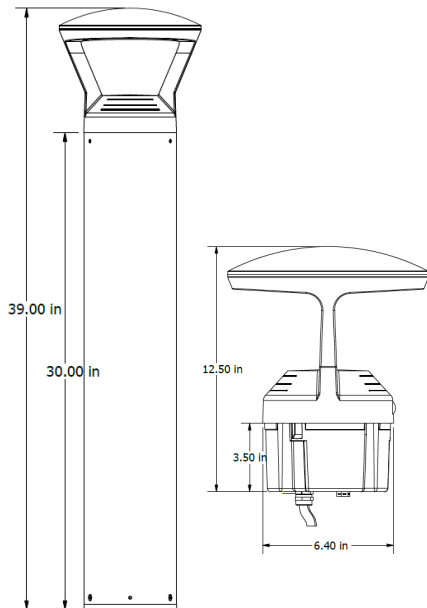
OUTDOOR LED LIGHT

Bollards | \varnothing 6.40 in | CCT & Power Switchable

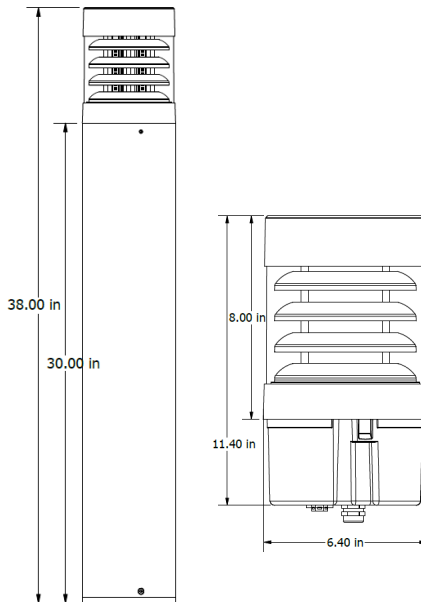
DIMENSIONS - FIXTURE

APEX BOLLARDS

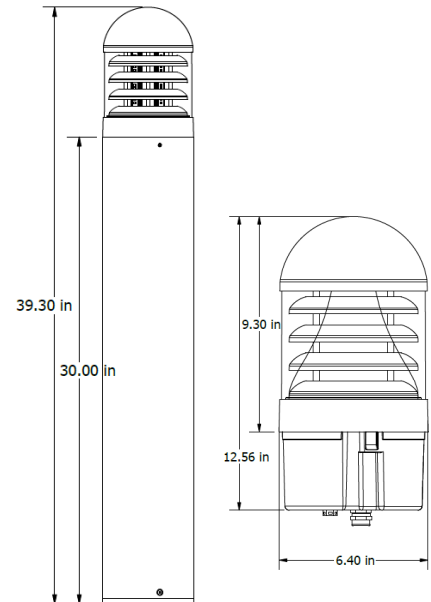
Casey



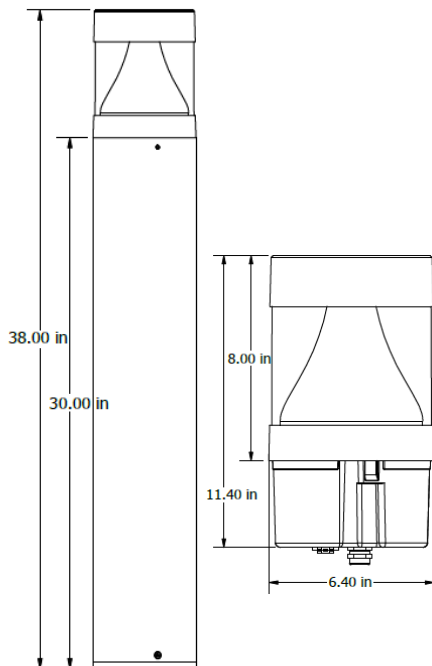
Shredder



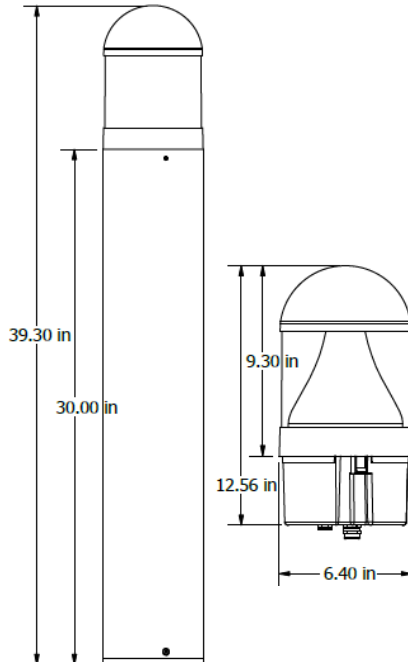
Bebop



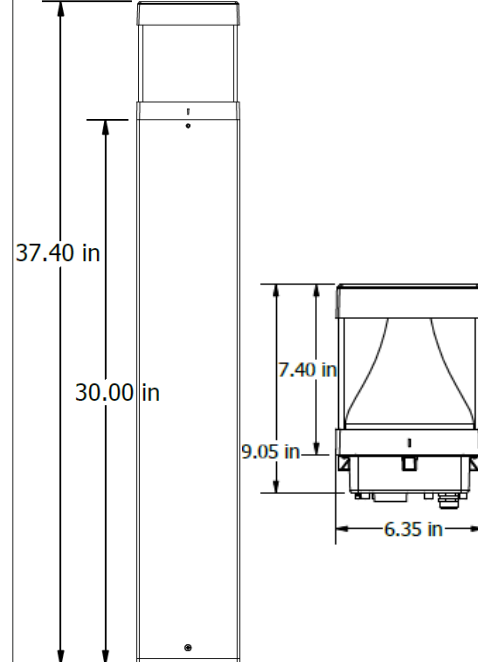
Baxter



Rocksteady



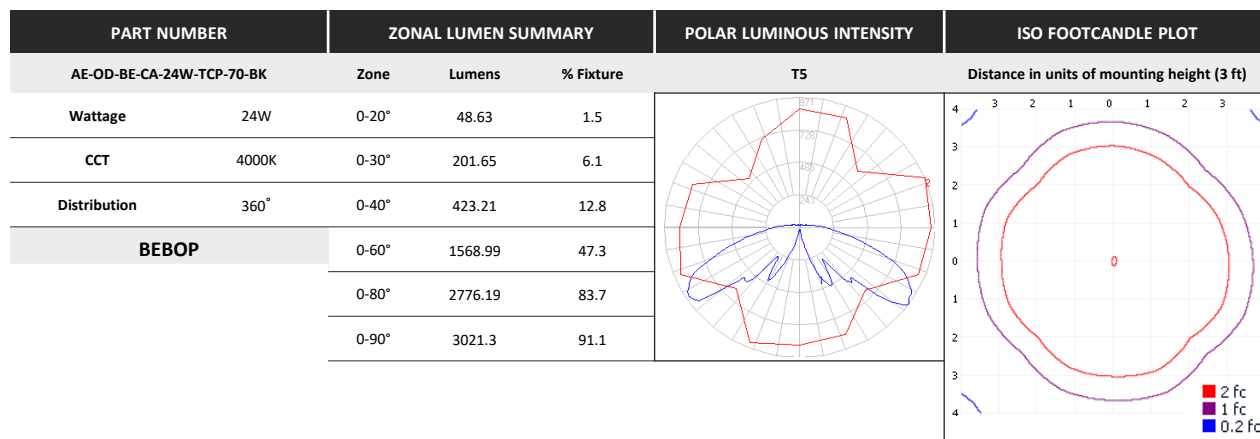
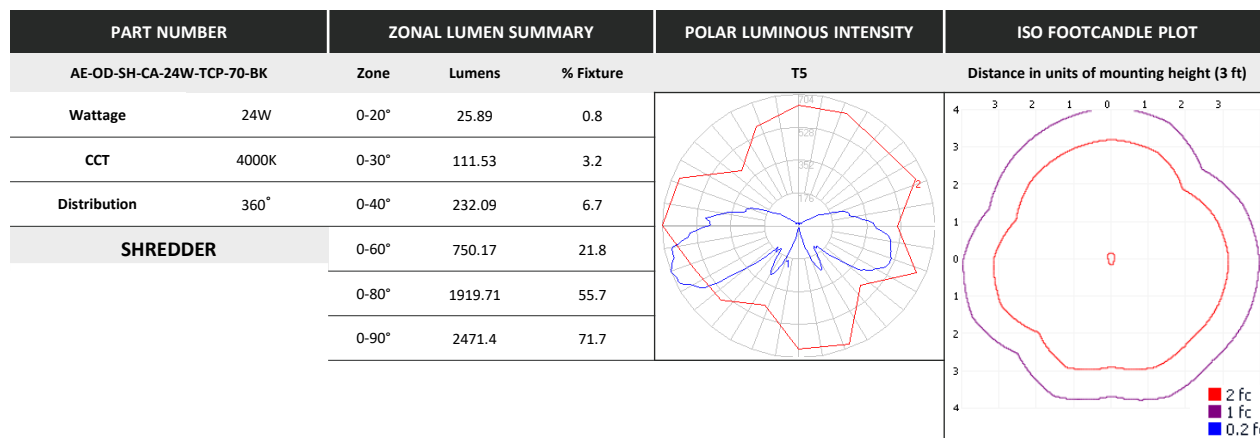
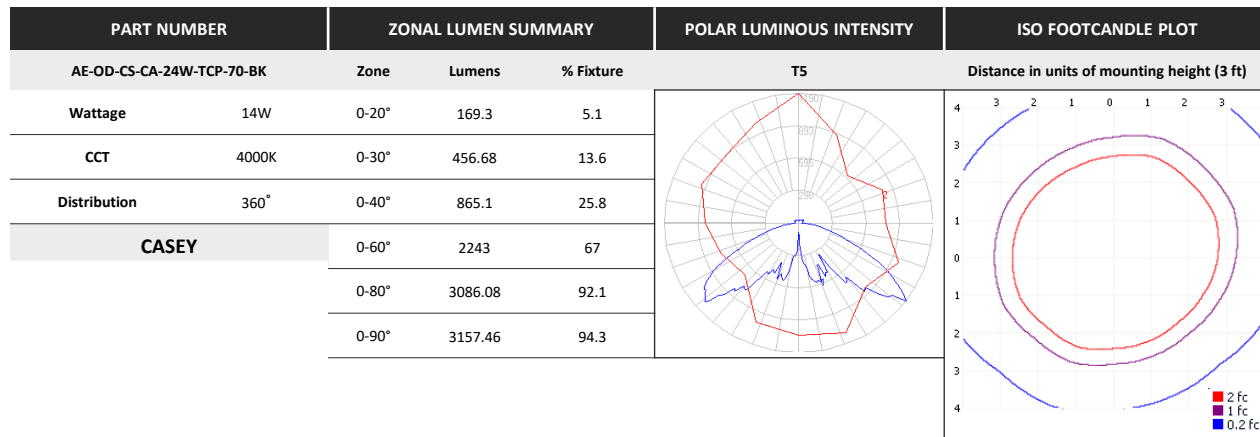
Krang



OUTDOOR LED LIGHT

Bollards | Ø 6.40 in | CCT & Power Switchable

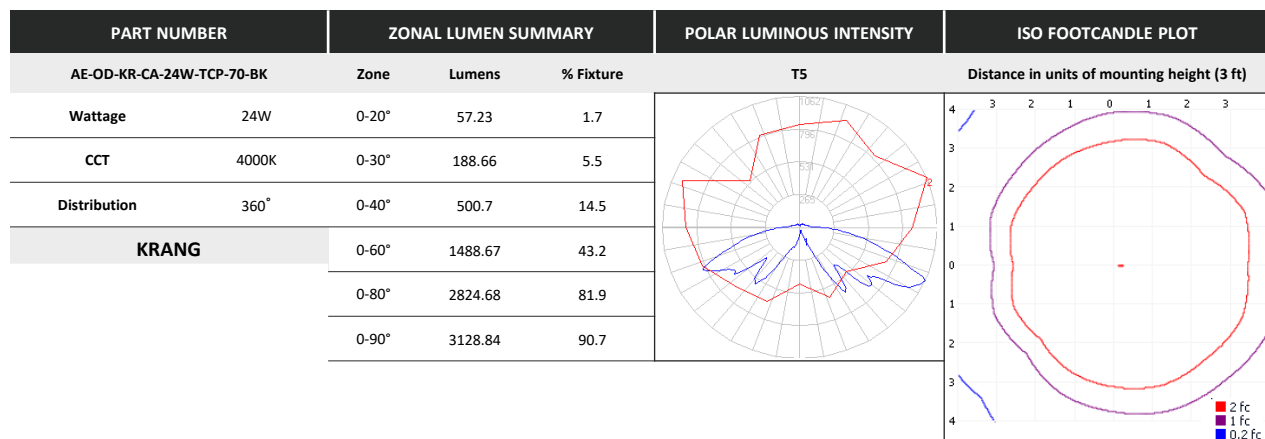
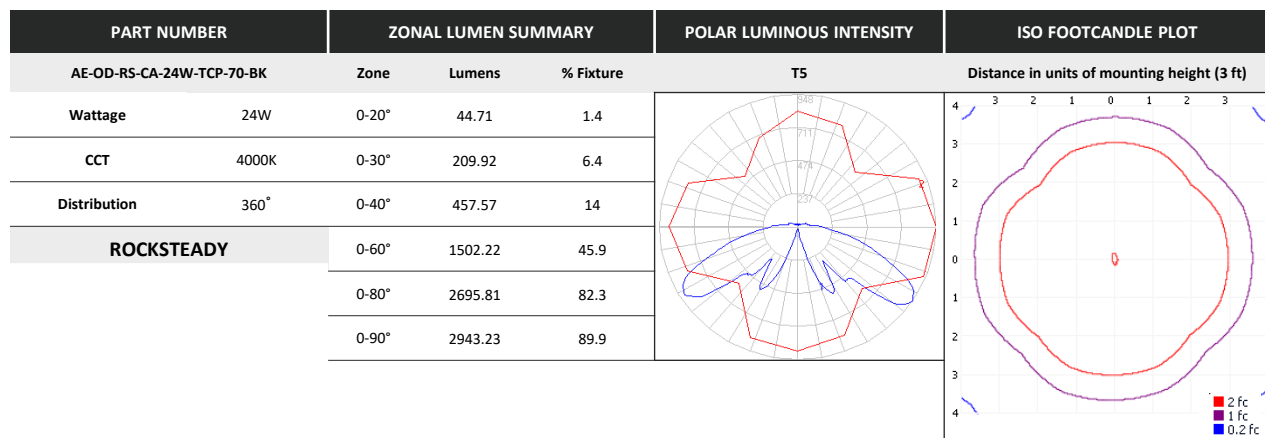
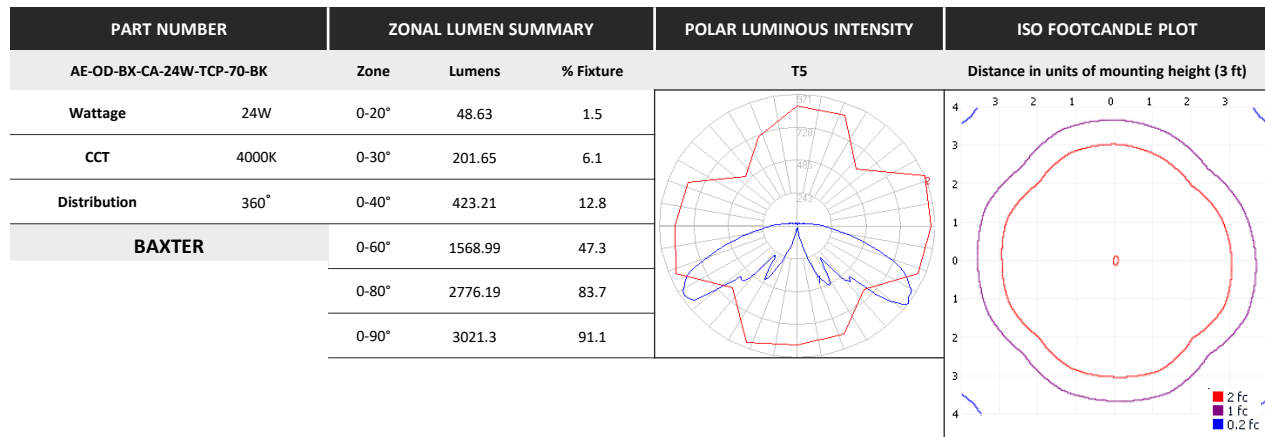
PHOTOMETRIC DATA



OUTDOOR LED LIGHT

Bollards | Ø 6.40 in | CCT & Power Switchable

PHOTOMETRIC DATA



OUTDOOR LED LIGHT

Bollards | Ø 6.40 in | CCT & Power Switchable

OVERVIEW



Innovative Design

- Aluminum die cast housing and corrosion resistant finish.
- Highly robust polycarbonate and high transmittance lens.



Protection



- Protected against dust ingress.
- Protected against water jets
- 10KV surge protector



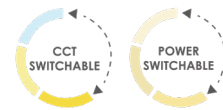
Mountings Available

- Concrete anchor mount



Multiple Options

- 3 different powers options.
- 3 different CCTs.
- On/off integrated photocell



Tests And Certifications



DLC MODEL	PRODUCT ID
AE-OD-CS-CA-24W-TCP-Y-ZZ	S-J9WC1R
AE-OD-SH-CA-24W-TCP-Y-ZZ	S-T1Z00P
AE-OD-BE-CA-24W-TCP-Y-ZZ	S-NS4NLX
AE-OD-BX-CA-24W-TCP-Y-ZZ	S-SCQNKB
AE-OD-RS-CA-24W-TCP-Y-ZZ	S-XRY255
AE-OD-KR-CA-24W-TCP-Y-ZZ	S-WK61V0

Casey



Shredder



Bebop



Baxter



Rocksteady



Krang

