

# SAPPHIRE ET7066

## OUTDOOR LED LIGHT

ACCENT LIGHT | 10-15W | 15° | 24° | 36° | 50° | 50°X20°

ET7066 is an LED accent light with multiple beam patterns and retractable shrouds, 360° rotatable and 180° tiltable, ideally suited for accent lighting. The miniature size makes its appearance unobtrusive. NPT 0.5" stem with choices of mounting accessories allow installation on hard surfaces. It is TRIAC dimming compatible.

Application: Landscape | Architectural | Deck & patio | Pools & Security



	DATE	QTY	ACC. QTY	TYPE
PROJECT				
PN				
ACCESSORY PN				
NOTES				



### DYNAMIC MENU

Order Information	<a href="#">Page 2</a>
Dimensions	<a href="#">Page 2</a>
Overview	<a href="#">Page 4</a>

[Install Instruction link](#)

### SPECIFICATIONS

Input Voltage	120-277V
Power Factor	>0.9
Total Harmonic Distortion	<20%
Dimming	TRIAC Dimming
CRI	80 CRI
CCT	<div style="display: flex; gap: 10px;"> <div style="border: 1px solid black; border-radius: 50%; width: 20px; height: 20px; background-color: #fff9c4; display: flex; align-items: center; justify-content: center;">27K</div> <div style="border: 1px solid black; border-radius: 50%; width: 20px; height: 20px; background-color: #fff176; display: flex; align-items: center; justify-content: center;">30K</div> <div style="border: 1px solid black; border-radius: 50%; width: 20px; height: 20px; background-color: #bbdefb; display: flex; align-items: center; justify-content: center;">40K</div> <div style="border: 1px solid black; border-radius: 50%; width: 20px; height: 20px; background-color: #e1bee7; display: flex; align-items: center; justify-content: center;">50K</div> </div>
Efficacy	~79 lm/W
Power	10   15W
Ambient Temperature Range	-20°C to 45°C
Mounting Options	Ground   Wall mount   Junction Box
Mounting Brackets	Ground spike   Round wall plate   Junction Box
Fixture Finish	White   Black   Silver
Distribution	15°   24°   36°   50°   50°X20°
Protection	IP65; Water and dust resistance
Lens Material	Polycarbonate Lens



### PRODUCT FEATURES



### PRODUCT CERTIFICATIONS



### SYSTEM WARRANTY – 5 YEARS

Eralux will warrant defective drivers, LEDs and boards for 5 years from the date of purchase. This warranty is valid only if the fixture is installed and used as per installation guides and specifications. If a defect is present, Eralux will send drivers and boards at no fee with a thorough replacement instructions along with instructions on the return of the defective parts back to Eralux.

### LUMEN MAINTENANCE – L85 at 50,000 hours

Rated for 85% initial lumen output at 50,000 hours of operation, operated at 25°C ambient temperature; per guidelines published by the Illuminating Engineering Society (IES).

## OUTDOOR LED LIGHT

ACCENT LIGHT | 10-15W | 15° | 24° | 36° | 50° | 50°X20°



### ORDERING GUIDE

AE-OD-ET7066					-80			
AE-OD-ET7066	-C10	-27	-15	-80	-NS	-B	-MTB	
ERALUX Sapphire ET7066 outdoor accent light	10W 1002 lms	2700K -30 3000K	15° -24 24°	80CRI	No Shroud -AS Angle Shroud -OS Straight Shroud	Black RAL9011 -W White RAL9016 -S Silver RAL9006	Bracket B -MTC Bracket C -MTJ Junction Box -MTJS Junction Box with ground stake	
	-C15	-40	-36					
	15W 1291 lms	4000K -50 5000K	36° -50 50°					
			-5020 H50°x V20°					

Fixture Family

Power

CCT

Distribution

CRI

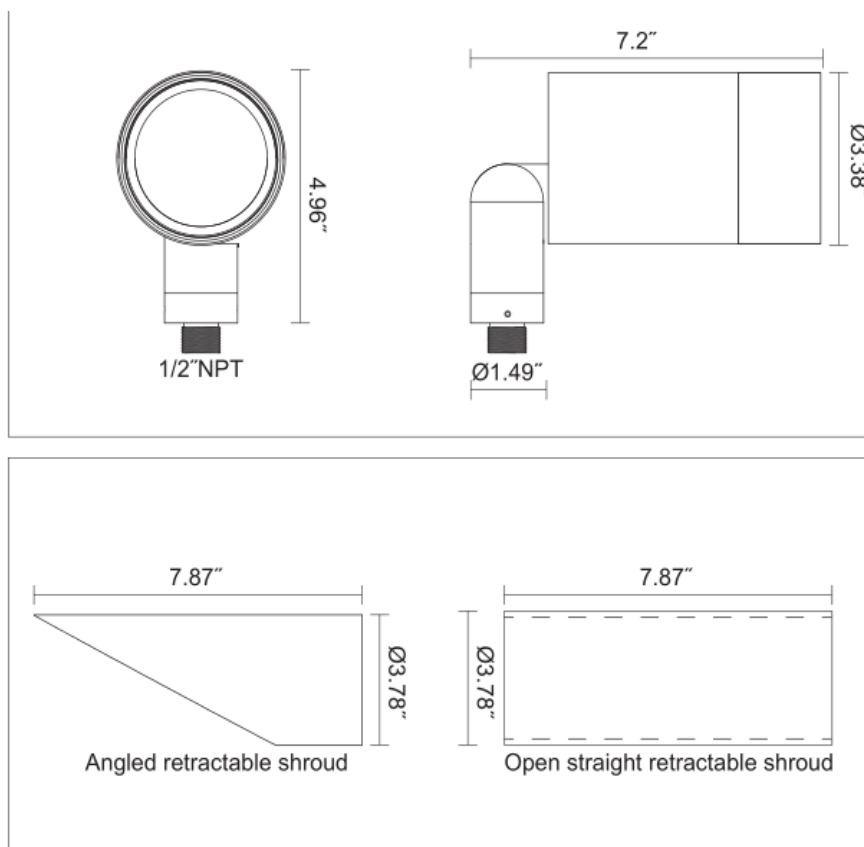
Accessories

Finish

Mounting

### DIMENSIONS

#### AE-OD-ET7066



OUTDOOR LED LIGHT

ACCENT LIGHT | 10-15W | 15° | 24° | 36° | 50° | 50°X20°

## MOUNTING OPTIONS

### INSTALLATION OPTIONS

#### Surface/ Wall Mount

#### Description



MTB MOUNTING



MTC MOUNTING



MTJ MOUNTING

- $\varnothing$ 4-1/2" Round wall plate
- Single fixture mounting hole
- Black, White, Silver finish

#### Ground Mount

#### Description



MTJS MOUNTING

- 1-1/2" x 6-3/4" Ground spike with feed-through hole for wiring
- 1/2" NPS Threaded Hubs
- Black, White, Silver finish
- Junction Box is included

## OUTDOOR LED LIGHT

ACCENT LIGHT | 10-15W | 15° | 24° | 36° | 50° | 50°x20°

### OVERVIEW



#### Innovative Design

- Heavy-duty, die-cast aluminum tiltable knuckle base utilizes tooth-lock adjustment with visual 90-degree adjustment (Outward/Inward).



#### Multiple Options

- 4 CCT Options area available ; 27,30,40,50
- 3 Different Finishes ; White, Silver, Black



#### Brackets

- Ground Stake
- Round wall plate
- Junction Box



#### Distribution

- Variable Beam angle distribution  
15° | 25° | 36° | 50° | 50°x20°



#### Mountings Available

- Ground mount
- Wall mount
- Junction Box



#### Tests And Certifications



#### Protection



- Protected against dust ingress.
- Protected against water jets