

SAPPHIRE X ET7069

OUTDOOR PRODUCT

Accent Light

The SAPPHIRE X is an LED accent light with multiple beam patterns and retractable shrouds, 360° rotatable and 180° tilttable, ideally suited for accent lighting. This fixture comes standard with a thermoset powder coat finish that provides superior resistance to corrosion and weathering. It is also enhanced with high density tempered glass. It is available with a NPT 0.5" stem with choices of mounting accessories allow installation on hard surfaces. It is TRIAC dimming compatible.



eralux®

IP65

5 YEARS
WARRANTY
eralux



DATE	
PROJECT NAME	
TYPE	
QTY	
ORDERING CODE	AE-OD-ET7069 -C - - -80 - - -

OPERATING & ELECTRICAL

INPUT VOLTAGE	120-277V
POWER FACTOR	0.9
DIMMING	No Dimming
TOTAL HARMONIC DISTORTION (THD)	<20%

PERFORMANCE

LUMENS PER WATT	57-66 LPW at 80CRI
POWER CONSUMPTION	20W, 30W, 40W
BEAM ANGLE	24, 40, 60, H40xV25°

MECHANICAL & HOUSING

HOUSING	Die casting aluminum for increased rigidity and strength
LENS	Highly durable, shatterproof tempered glass lens ensures high efficiency light output for a clean, evenly illuminated surface with minimal glare.
FINISH	Black, White, Gray (RAL9006)
POWER SUPPLY	Factory wired electronic LED driver
LED BOARD	COB

APPLICATION CONDITION

AMBIENT TEMPERATURE RANGE	-25 °C to 45°C
PROTECTION	IP65

COMPATIBLE MOUNTING

MOUNTING	Wall mount and Floor mount
----------	----------------------------

WARRANTY

SYSTEM WARRANTY – 5 YEARS

Eralux will warrant defective drivers, LEDs and boards for 5 years from the date of purchase. This warranty is valid only if the fixture is installed and used as per installation guides and specifications. If a defect is present, Eralux will send drivers and boards at no fee with a thorough replacement instructions along with instructions on the return of the defective parts back to Eralux.

LUMEN MAINTENANCE – L85 at 50,000 hours

Rated for 85% initial lumen output at 50,000 hours of operation, operated at 25°C ambient temperature; per guidelines published by the Illuminating Engineering Society (IES)

SAPPHIRE X ET7069

OUTDOOR PRODUCT

Accent Light

DATE	
PROJECT NAME	
TYPE	
QTY	
ORDERING CODE	AE-OD-ET7069-C - - -80 - - -

ORDERING GUIDE

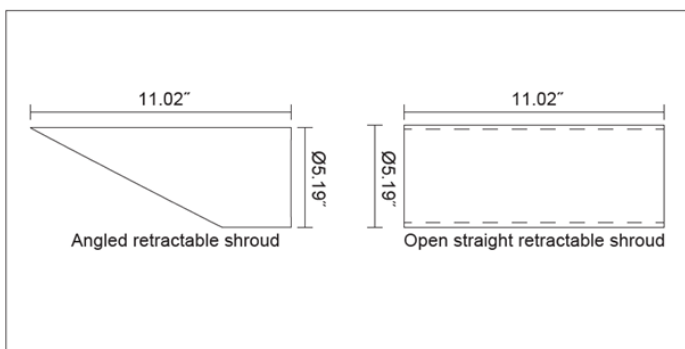
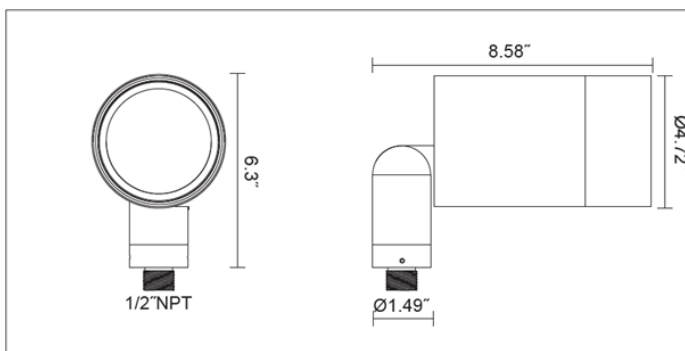
EXAMPLE: AE-OD-ET7069-C20-3-24-80-NS-B-MTC

FIXTURE FAMILY	POWER	CCT	BEAM ANGLE	CRI	ACCESSORIES	FINISH	MOUNTING
AE-OD-ET7069	-C	-	-	-80	-	-	-
ERALUX SAPPHIRE X ET7069 outdoor accent light fixture	-C20 20 watts: 1272 lumens	-27 2700K	-24 24° beam angle	-80 80 CRI	-NS No shroud	-B Black powder coat finish	-[BLANK]
	-C30 30 watts" 1999 lumens	-3 3000K	-40 50° beam angle		-AS Angle shroud	-W White powder coat finish	-MTC Bracket C
	-C40 40 watts: 2283 lumens	-4 4000K	-60 60° beam angle		-OS Straight shroud	-S Silver (RAL9006) powder coat finish	-MTJ Junction box
		-5 5000K	-4025 H40°xV25° beam angle		-MTJS Junction Box with Stake		

PRODUCT DIMENSIONS

AE-OD-ET7069

Weight: 2.85 kg



SAPPHIRE X ET7069

OUTDOOR PRODUCT

Accent Light

DATE	
PROJECT NAME	
TYPE	
QTY	
ORDERING CODE	AE-OD-ET7069-C - - -80 - - -

MOUNTING ACCESSORIES



AE-OD-ET7069-ACC-MTJS



AE-OD-ET7069-ACC-MTC



AE-OD-ET7069-ACC-MTJ



AE-OD-ET7069-ACC-

LUMEN ESTIMATE

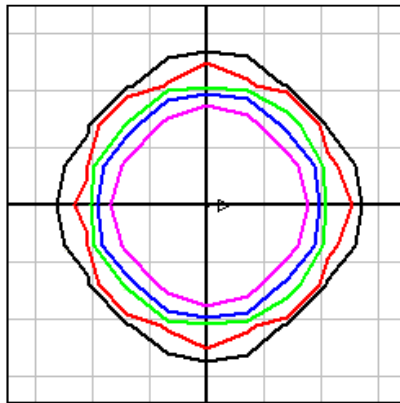
Lumen output varies based on CCT and CRI. An estimate of lumen output of the various CCT/CRI combinations, use correction factors as per table below:

LUMEN ESTIMATE ADJUSTMENT FACTORS				
CCT	2700K	3000K	3500K	4000K
NORMAL (80CRI)	0.94	1	1.02	1.03

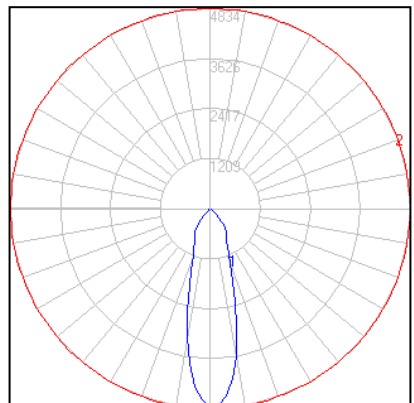
PHOTOMETRIC DATA

AE-OD-ET7069-C30-3-20-80
30W 3000K 20°

GRID DISTANCES WITH A MOUNTING HEIGHT OF 10' AFG



POLAR LUMINOUS INTENSITY GRAPHS



SAPPHIRE X ET7069

OUTDOOR PRODUCT

Accent Light

DATE	
PROJECT NAME	
TYPE	
QTY	
ORDERING CODE	AE-OD-ET7069-C - - -80 - - -

OVERVIEW

PREMIUM MATERIALS

Constructed from aluminum die-cast enhancing thermal heat dissipation while providing excellent figure strength.

MULTIPLE FINISH OPTIONS

Select from black, white, or silver powder coat anti-cracking finishes to accent your project space.

CRI

80 CRI provides greater rendering allowing for a more natural light look.

ACCESSORIES

Several shroud attachments available including angled-shroud (AS), or straight-shroud (OS) providing your fixture a covered lens and a unique appearance.

