

SAPPHIRE ET7066

OUTDOOR LED LIGHT

ACCENT LIGHT | 10-15W | 15° | 24° | 36° | 50° | 50°X20°

ET7066 is an LED accent light with multiple beam patterns and retractable shrouds, 360° rotatable and 180° tiltable, ideally suited for accent lighting. The miniature size makes its appearance unobtrusive. NPT 0.5" stem with choices of mounting accessories allow installation on hard surfaces. It is TRIAC dimming compatible.

Application: Landscape | Architectural | Deck & patio | Pools & Security

eralux®

	DATE	QTY	ACC. QTY	TYPE
PROJECT				
PN				
ACCESSORY PN				
NOTES				



DYNAMIC MENU

Order Information	Page 2
Dimensions	Page 2
Overview	Page 4

[Install Instruction link](#)

SPECIFICATIONS

Input Voltage	120V
Power Factor	>0.9
Total Harmonic Distortion	<20%
Dimming	TRIAC Dimming
CRI	80 CRI
CCT	<div style="display: flex; gap: 10px;"> <div style="border: 1px solid black; border-radius: 50%; width: 20px; height: 20px; background-color: #fff9c4; display: flex; align-items: center; justify-content: center;">27K</div> <div style="border: 1px solid black; border-radius: 50%; width: 20px; height: 20px; background-color: #fff176; display: flex; align-items: center; justify-content: center;">30K</div> <div style="border: 1px solid black; border-radius: 50%; width: 20px; height: 20px; background-color: #bbdefb; display: flex; align-items: center; justify-content: center;">40K</div> <div style="border: 1px solid black; border-radius: 50%; width: 20px; height: 20px; background-color: #e1bee7; display: flex; align-items: center; justify-content: center;">50K</div> </div>
Efficacy	~79 lm/W
Power	10 15W
Ambient Temperature Range	-20°C to 45°C
Mounting Options	Ground Wall mount Junction Box
Mounting Brackets	Ground spike Round wall plate Junction Box
Fixture Finish	White Black Silver
Distribution	15° 24° 36° 50° 50°X20°
Protection	IP65; Water and dust resistance
Lens Material	Polycarbonate Lens



PRODUCT FEATURES



PRODUCT CERTIFICATIONS



SYSTEM WARRANTY – 5 YEARS

Eralux will warrant defective drivers, LEDs and boards for 5 years from the date of purchase. This warranty is valid only if the fixture is installed and used as per installation guides and specifications. If a defect is present, Eralux will send drivers and boards at no fee with a thorough replacement instructions along with instructions on the return of the defective parts back to Eralux.

LUMEN MAINTENANCE – L85 at 50,000 hours

Rated for 85% initial lumen output at 50,000 hours of operation, operated at 25°C ambient temperature; per guidelines published by the Illuminating Engineering Society (IES).

OUTDOOR LED LIGHT

ACCENT LIGHT | 10-15W | 15° | 24° | 36° | 50° | 50°X20°



ORDERING GUIDE

AE-OD-ET7066					-80			
AE-OD-ET7066	-C10	-27	-15	-80	-NS	-B	-MTB	
ERALUX Sapphire ET7066 outdoor accent light	10W 1002 lms	2700K	15°	80CRI	No Shroud	Black RAL9011	Bracket B	
		-30	-24		-AS	-W	-MTC	
		3000K	24°		Angle Shroud	White RAL9016	Bracket C	
	-C15	-40	-36		-OS		-MTJ	
	15W 1291 lms	4000K	36°		Straight Shroud		Junction Box	
		-50	-50			-S	-MTJS	
		5000K	50°			Silver RAL9006	Junction Box with ground stake	
			-5020					
			H50°x V20°					

Fixture Family

Power

CCT

Distribution

CRI

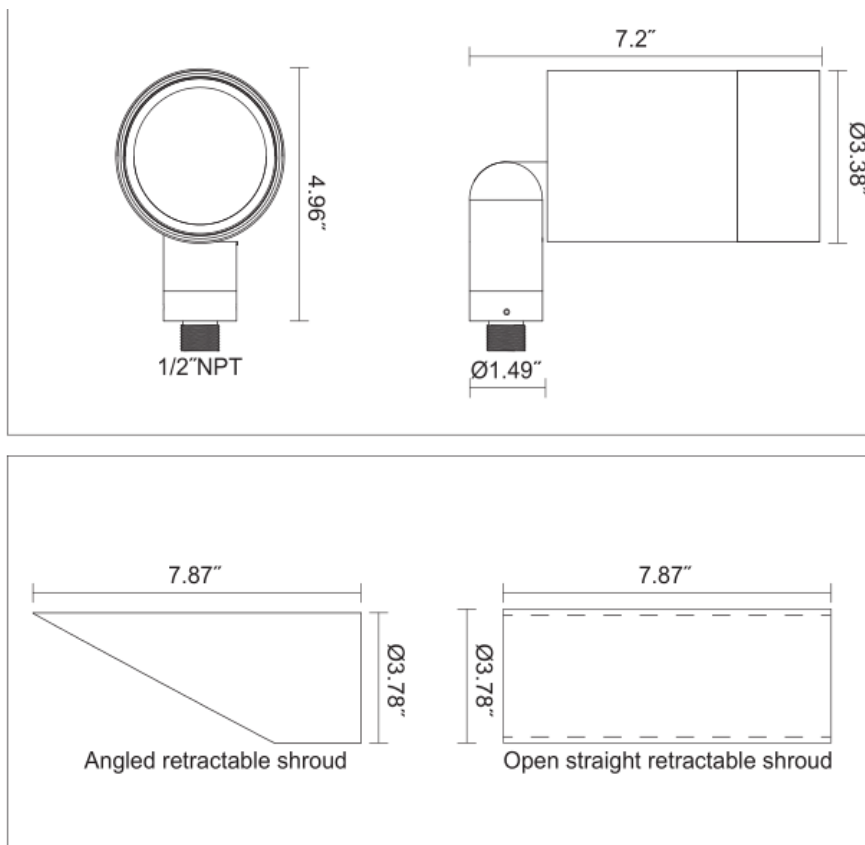
Accessories

Finish

Mounting

DIMENSIONS

AE-OD-ET7066



OUTDOOR LED LIGHT

ACCENT LIGHT | 10-15W | 15° | 24° | 36° | 50° | 50°X20°

MOUNTING OPTIONS

INSTALLATION OPTIONS

Surface/ Wall Mount

Description



MTB MOUNTING



MTC MOUNTING



MTJ MOUNTING

- $\phi 4\text{-}1/2\text{'}$ Round wall plate
- Single fixture mounting hole
- Black, White, Silver finish

Ground Mount

Description



MTJS MOUNTING

- 1-1/2" x 6-3/4" Ground spike with feed-through hole for wiring
- 1/2" NPS Threaded Hubs
- Black, White, Silver finish
- Junction Box is included

OUTDOOR LED LIGHT

ACCENT LIGHT | 10-15W | 15° | 24° | 36° | 50° | 50°x20°

OVERVIEW



Innovative Design

- Heavy-duty, die-cast aluminum tiltable knuckle base utilizes tooth-lock adjustment with visual 90-degree adjustment (Outward/Inward).



Multiple Options

- 4 CCT Options area available ; 27,30,40,50
- 3 Different Finishes ; White, Silver, Black



Brackets

- Ground Stake
- Round wall plate
- Junction Box



Distribution

- Variable Beam angle distribution
15° | 25° | 36° | 50° | 50°x20°



Mountings Available

- Ground mount
- Wall mount
- Junction Box



Tests And Certifications



Protection



- Protected against dust ingress.
- Protected against water jets