

SAPPHIRE ET7069

OUTDOOR LED LIGHT

ACCENT LIGHT | 20-30-40W | 15° | 24° | 36° | 50° | 50°X20°

ET7069 is an LED accent light with multiple beam patterns and retractable shrouds, 360° rotatable and 180° tiltable, ideally suited for accent lighting. The miniature size makes its appearance unobtrusive. NPT 0.5" stem with choices of mounting accessories allow installation on hard surfaces. It is 0-10V dimming compatible.
 Application: Landscape | Architectural | Deck & patio | Pools & Security



	DATE	QTY	ACC. QTY	TYPE
PROJECT				
PN				
ACCESSORY PN				
NOTES				

DYNAMIC MENU

Order Information	Page 2
Dimensions	Page 2
Overview	Page 4

[Install Instruction link](#)

SPECIFICATIONS

Input Voltage	120-277V
Power Factor	>0.9
Total Harmonic Distortion	<20%
Dimming	TRIAC Dimming
CRI	80 CRI
CCT	<div style="display: flex; gap: 10px;"> <div style="border: 1px solid black; border-radius: 50%; width: 20px; height: 20px; background-color: #fff9c4; display: flex; align-items: center; justify-content: center;">27K</div> <div style="border: 1px solid black; border-radius: 50%; width: 20px; height: 20px; background-color: #fff176; display: flex; align-items: center; justify-content: center;">30K</div> <div style="border: 1px solid black; border-radius: 50%; width: 20px; height: 20px; background-color: #bbdefb; display: flex; align-items: center; justify-content: center;">40K</div> <div style="border: 1px solid black; border-radius: 50%; width: 20px; height: 20px; background-color: #e1bee7; display: flex; align-items: center; justify-content: center;">50K</div> </div>
Efficacy	~90-100 lm/W
Power	20 30 40W
Ambient Temperature Range	-20°C to 45°C
Mounting Options	Ground Wall mount Junction Box
Mounting Brackets	Ground spike Round wall plate Junction Box
Fixture Finish	White Black Silver
Distribution	15° 24° 36° 50° 50°X20°
Protection	IP65; Water and dust resistance
Lens Material	Polycarbonate Lens



PRODUCT FEATURES



PRODUCT CERTIFICATIONS



SYSTEM WARRANTY – 5 YEARS

Eralux will warrant defective drivers, LEDs and boards for 5 years from the date of purchase. This warranty is valid only if the fixture is installed and used as per installation guides and specifications. If a defect is present, Eralux will send drivers and boards at no fee with a thorough replacement instructions along with instructions on the return of the defective parts back to Eralux.

LUMEN MAINTENANCE – L85 at 50,000 hours

Rated for 85% initial lumen output at 50,000 hours of operation, operated at 25°C ambient temperature; per guidelines published by the Illuminating Engineering Society (IES).

OUTDOOR LED LIGHT

ACCENT LIGHT | 20-30-40W | 15° | 24° | 36° | 50° | 50°x20°



ORDERING GUIDE

AE-OD-ET7069				-80			
AE-OD-ET7069	-C20	-27	-15	-80	-NS	-B	-MTC
ERALUX Sapphire ET7069 outdoor accent light	20W 1272 lms	2700K -30 3000K	15° -24 24°	80CRI	No Shroud -AS Angle Shroud -OS Straight Shroud	Black RAL9011 -W White RAL9016 -S Silver RAL9006	Bracket C -MTJ Junction Box -MTJS Junction Box with ground stake
	-C30 30W 1999 lms	-40 4000K	-36 36°				
	-C40 40W 2283 lms	-50 5000K	-50 50° -5020 H50°x V20°				

Fixture Family

Power

CCT

Distribution

CRI

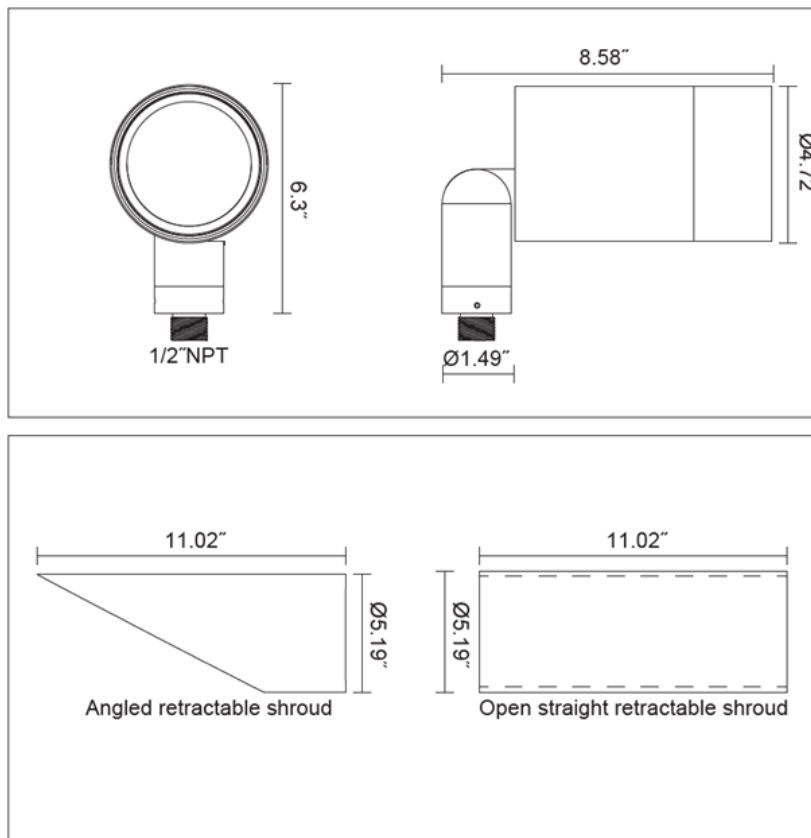
Accessories

Finish

Mounting

DIMENSIONS

AE-OD-ET7069



OUTDOOR LED LIGHT

ACCENT LIGHT | 20-30-40W | 15° | 24° | 36° | 50° | 50°X20°

MOUNTING OPTIONS

INSTALLATION OPTIONS

Surface/ Wall Mount

Description



MTC MOUNTING



MTJ MOUNTING

- $\varnothing 4\text{-}1/2\text{'}$ Round wall plate
- Single fixture mounting hole
- Black, White, Silver finish

Ground Mount

Description



MTJS MOUNTING

- 1-1/2" x 6-3/4" Ground spike with feed-through hole for wiring
- 1/2" NPS Threaded Hubs
- Black, White, Silver finish
- Junction Box is included

OUTDOOR LED LIGHT

ACCENT LIGHT | 20-30-40W | 15° | 24° | 36° | 50° | 50°X20°

OVERVIEW



Innovative Design

- Heavy-duty, die-cast aluminum tiltable knuckle base utilizes tooth-lock adjustment with visual 90-degree adjustment (Outward/Inward).



Multiple Options

- 4 CCT Options area available ; 27,30,40,50
- 3 Different Finishes ; White, Silver, Black



Brackets

- Ground Stake
- Round wall plate
- Junction Box



Distribution

- Beam angle on field
15° | 25° | 36° | 50° | 50°x20°



Mountings Available

- Ground mount
- Wall mount
- Junction Box



Tests And Certifications



Protection



- Protected against dust ingress.
- Protected against water jets