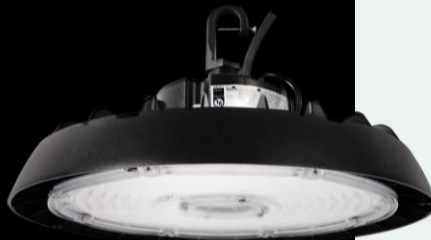


SABER EVOLVE

INDUSTRIAL FIXTURES

Round High Bay



eralux[®]



The SABER Evolve series is the latest addition by ERALUX to its strong portfolio of highbay fixtures. This series features a 135 LPW performance made possible with the die cast aluminum design. It comes standard with the ability to upgrade to integrate motion sensor in the field. The SABER Evolve series comes standard with CCT and Lumens Switchable capability; an ideal solution for warehouses, retail stores.

DATE	
PROJECT NAME	
TYPE	
QTY	
ORDERING CODE	AE-IL-SB2-CA - -110-H - - -

OPERATING & ELECTRICAL

INPUT VOLTAGE 120-347V

POWER FACTOR 0.9

DIMMING 0-10V

TOTAL HARMONIC DISTORTION (THD) <20%

MECHANICAL & HOUSING

HOUSING Die casting aluminum for increased rigidity and strength

LENS Highly durable clear lens ensures high efficiency light output for a clean, evenly illuminated surface with minimal glare
High transmittance lens allowing for a smooth, diffused light pattern

FINISH Black, White

POWER SUPPLY Factory wired electronic LED driver

LED BOARD SMD

MOUNTING METHOD

MOUNTING Hook Mounted
Pole Mounted

PERFORMANCE

LUMENS PER WATT 150 LPW at 80CRI

POWER CONSUMPTION 100/125/150W selectable
150/200/240W selectable
300/240/200W selectable

BEAM ANGLE 110°

APPLICATION CONDITION

AMBIENT TEMPERATURE RANGE -40 °C to 45°C

PROTECTION NEMA 4X
WET RATED
IP65

WARRANTY

SYSTEM WARRANTY – 5 YEARS

Eralux will warrant defective drivers, LEDs and boards for 5 years from the date of purchase. This warranty is valid only if the fixture is installed and used as per installation guides and specifications. If a defect is present, Eralux will send drivers and boards at no fee with a thorough replacement instructions along with instructions on the return of the defective parts back to Eralux.

LUMEN MAINTENANCE – L70 at 50,000 hours

Rated for 70% initial lumen output at 50,000 hours of operation, operated at 25°C ambient temperature; per guidelines published by the Illuminating Engineering Society (IES)



"Not all product variations listed on this page are DLC qualified with the LUNA designation. Visit <https://qpl.designlights.org/> to confirm qualification."

SABER EVOLVE

INDUSTRIAL FIXTURES

Round High Bay

DATE	
PROJECT NAME	
TYPE	
QTY	
ORDERING CODE	AE-IL-SB2-CA - -110-H - - -




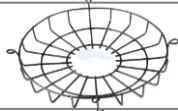




ORDERING GUIDE

EXAMPLE: AE-IL-SB2-CA-150W-110-H

FIXTURE FAMILY	POWER	LIGHT EMITTING ANGLE	PERFORMANCE	MOUNTING	SPECIALTY	CONTROLS
AE-IL-SB2-CA	-	-110	-H	-	-	-
AE-IL-SB2-CA ERALUX Saber Evolve Series industrial fixtures round high bay	-150W 150/125/100 Watts; Up to 22,500 lumens	-110 110-degree light emitting angle	-H High Performance 3500K/4000K/5000K CCT Switchable	[LEAVE BLANK] Hook Mounted	[LEAVE BLANK] Standard	-[LEAVE BLANK] 0-10V Dimming
	-240W 240/200/150 Watts; Up to 36,000 lumens			-PM Pole Mounted	-NAT Frosted lens and stainless-steel hardware	-(MS) Motion Sensor
	-300W 300/240/200 Watts; Up to 45,000 lumens					

ACCESSORIES

(Ordered separately)

PART NUMBER	DESCRIPTION	PICTURE
AE-IL-SB2-CA-MSKIT	Microwave motion sensor	
AE-IL-SB2-CA-REMOTE-CTRL	Remote Control	
AE-IL-SB2-CA-WIREGUARD-150W	Wireguard for AE-TL-SB2-CA-150W-110-H-XX	
AE-IL-SB2-CA-WIREGUARD-240W	Wireguard for AE-TL-SB2-CA-240W-110-H-XX	
AE-IL-SB2-CA-RFL-PC-240W	Polycarbonate reflector 200-240W	
AE-IL-SB2-CA-RFL-PC-COVER-240W	Polycarbonate reflector cover 200-240W * Need AE-IL-SB2-RFL-PC-240	
AE-IL-SB2-CA-RFL-PC-150W	Polycarbonate reflector 150W	
AE-IL-SB2-CA-RFL-PC-COVER-150W	Polycarbonate reflector cover 150W * Need AE-IL-SB2-RFL-PC-150	

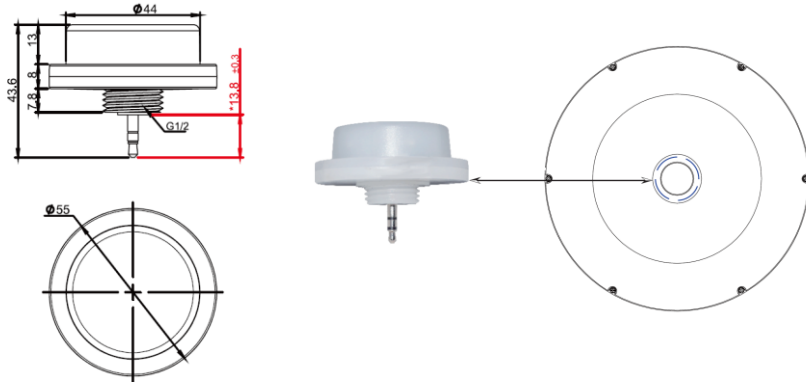
SABER EVOLVE

INDUSTRIAL FIXTURES

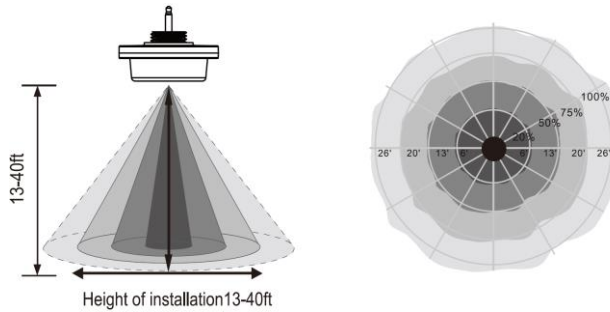
Round High Bay

DATE					
PROJECT NAME					
TYPE					
QTY					
ORDERING CODE	AE-IL-SB2-CA	-	-110-H	-	-

MOTION SENSOR

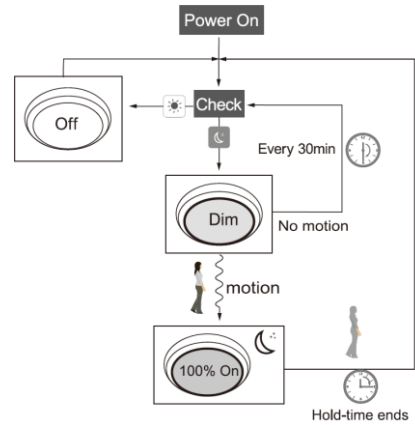


Area Coverage



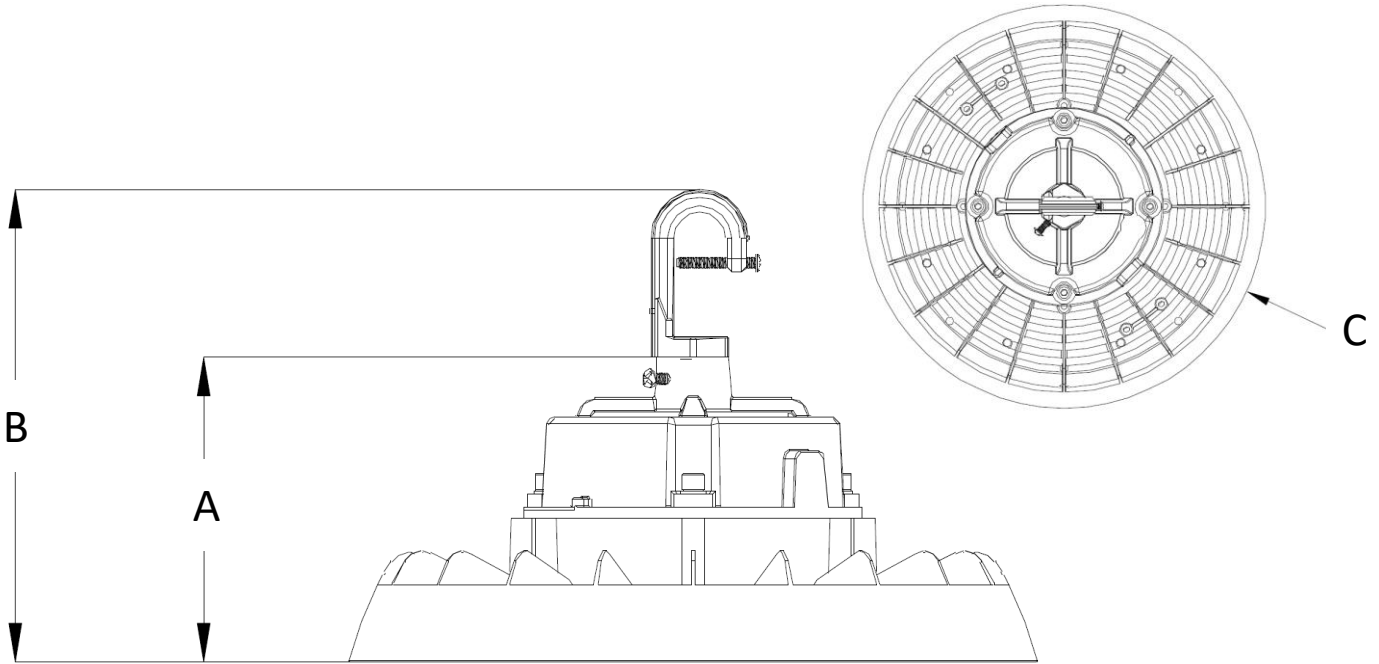
Factory mode

Factory Default Setting	
Sensitivity	100%
Hold on time	5 min
Daylight Sensor	ON
Dimming level	30%
Dimming time	30 min



DATE					
PROJECT NAME					
TYPE					
QTY					
ORDERING CODE	AE-IL-SB2-CA	-	-110-H	-	-

PRODUCT DIMENSIONS

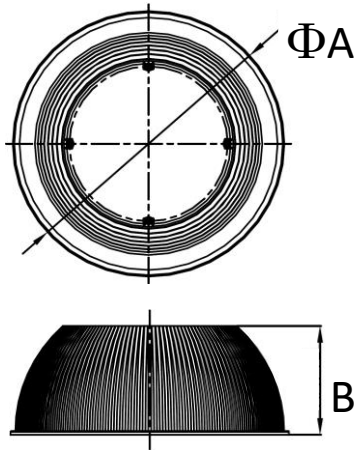


POWER	A	B	C
150W	112.6mm (4.43")	177.8mm (7.0")	264.8mm (10.43")
240W	118.1mm (4.65")	182.8mm (7.2")	325.7mm (12.82")
300W	120.9mm (4.76")	185.59mm (10.42")	350.7mm (13.8")

DATE					
PROJECT NAME					
TYPE					
QTY					
ORDERING CODE	AE-IL-SB2-CA	-	-110-H	-	-

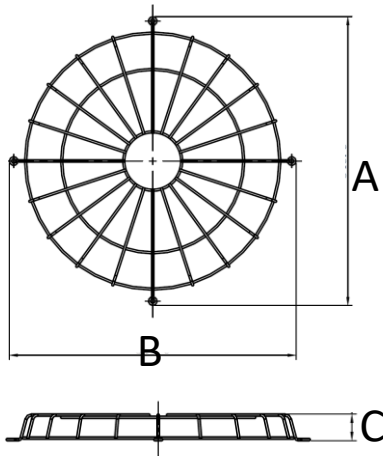
ACCESSORIES DIMENSIONS

Polycarbonate reflector



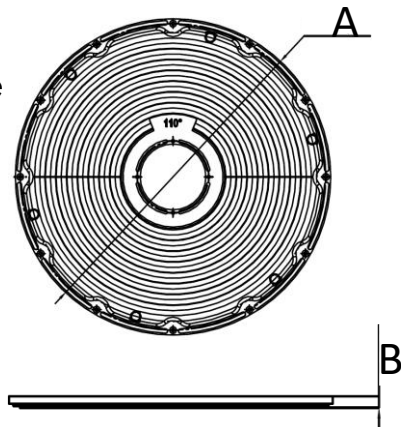
POWER	A	B
150W	413.8mm (10.51")	164.72mm (4.18")
240W	480mm (12.2")	181mm (4.6")

Wire guard



POWER	A	B	C
150W	251.9mm (6.4")	251.9mm (6.4")	30mm (0.762")
240W	320.5mm (8.14")	320.5mm (8.14")	30mm (0.762")
300W	346.6mm (8.8")	346.6mm (8.8")	30mm (0.762")

Polycarbonate lens



POWER	A	B
150W	220mm (8.66")	7.2mm (0.28")
240W	271mm (10.66")	7.7mm (0.3")
300W	293mm (11.53")	7.7mm (0.3")

DATE	
PROJECT NAME	
TYPE	
QTY	
ORDERING CODE	AE-IL-SB2-CA - -110-H - - -

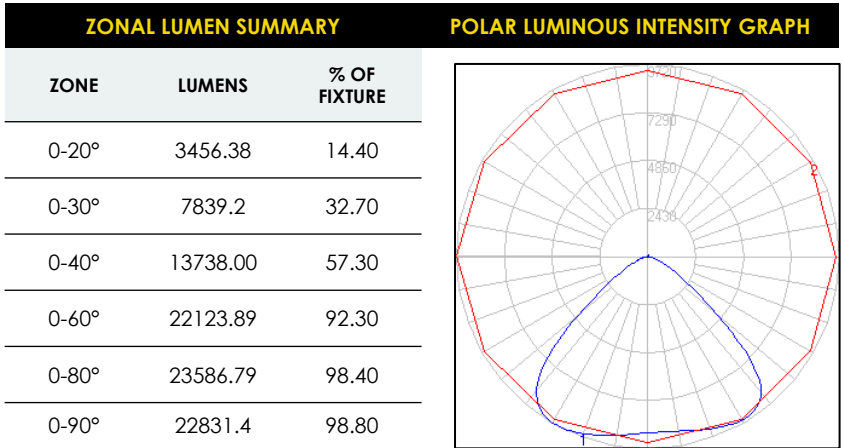
LUMEN ESTIMATE

Lumen output varies based on CCT and CRI. An estimate of lumen output of the various CCT/CRI combinations, use correction factors as per table below:

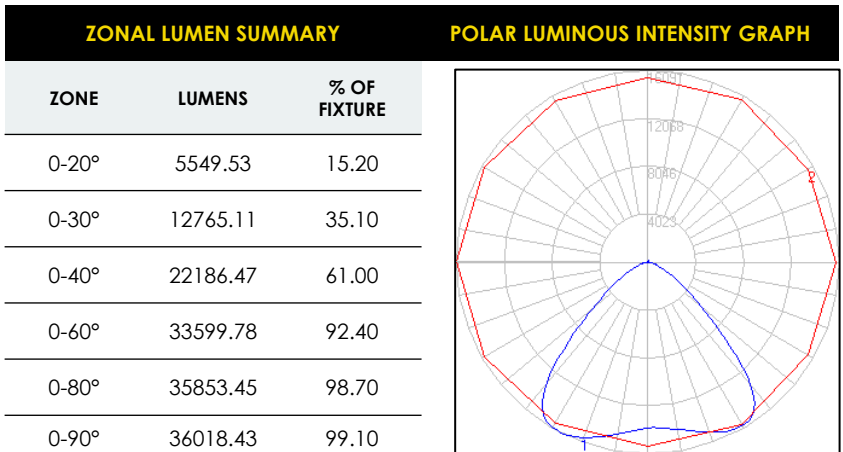
LUMEN ESTIMATE ADJUSTMENT FACTORS				
CCT	2700K	3000K	3500K	4000K
NORMAL (80CRI)	.96	1	1.03	1.06

PHOTOMETRIC DATA

AE-IL-SB2-CA-150W-110-H-XX
 150 WATTS
 110 DEGREE
 HIGH PERFORMANCE



AE-IL-SB2-CA-240W-110-H-XX
 240 WATTS
 110 DEGREE
 HIGH PERFORMANCE



SABER EVOLVE

INDUSTRIAL FIXTURES

Round High Bay

DATE						
PROJECT NAME						
TYPE						
QTY						
ORDERING CODE	AE-IL-SB2-CA	-	-110-H	-	-	-

DLC MODELS

DLC MODEL	PRODUCT ID
AE-IL-SB2-CA-150W-110-H-[Blank,(MS),(PIR),(BT)]	S-A238S5
AE-IL-SB2-CA-200W-110-H-[Blank,(MS),(PIR),(BT)]	S-ZDR7CM
AE-IL-SB2-CA-240W-110-H-[Blank,(MS),(PIR),(BT)]	S-DR8HAI

OVERVIEW

MODERN MATERIALS

Aluminum die-cast ensures superior thermal heat dissipation providing long-lasting LED and driver function while increasing fixture housing strength

VERSATILITY

Upgradeable for Motion sensor
Integrated CCT and power switchability



WIDE RANGE OF OPERATING VOLTAGE

Operational from 120V to 277V and 347V