

SB2

INDUSTRIAL LED LIGHT

High Bay UFO | 150-240-300W

The SB2 series is a round high bay with power and CCT switchable. This series features 3 power packages; 100/125/150W, 150/200/240W, and 200/240/300W with 150 LPW performance. It comes with various accessories form reflector, reflector cover, wire guard to plug in motion sensor and EMBB. The SB2 has rating of NEMA 4X which is equivalent to IP66. In addition to natatorium option which means that the fixture can be placed in wet environment.

Application: Industrial, Manufacturing, Warehouse, High-bay applications, Pools.

	DATE	QTY	ACC. QTY	TYPE
PROJECT				
PN				
ACCESSORY PN				
NOTES				



DYNAMIC MENU

Order Information	Page 2
Dimensions	Page 3
Accessories	Page 4
Photometric Data	Page 7

[Install Instruction link](#)

SPECIFICATIONS

Input Voltage	120-347V
Power Factor	>0.9
Total Harmonic Distortion	<20%
Dimming	0-10V Dimming
CRI	80 CRI
CCT	<div style="display: flex; gap: 10px;"> <div style="border: 1px solid gray; border-radius: 50%; padding: 2px 5px;">35K</div> <div style="border: 1px solid gray; border-radius: 50%; padding: 2px 5px;">40K</div> <div style="border: 1px solid gray; border-radius: 50%; padding: 2px 5px;">50K</div> </div>
Lumens Per Watt	~150 LPW
Power	100/125/150W 150/200/240W 300/240/200W
Ambient Temperature Range	-40 °C to 45 °C
Distribution	110°
Mounting Options	Hook Pendant – ¾" NPT conduit
Options	Natatorium
Protection	NEMA 4x equivalent to IP66 Wet Rated 6KV Surge Protector



PRODUCT FEATURES

POWER SWITCHABLE

CCT SWITCHABLE

Emergency Backup Battery

Motion Sensor

Wet Rated

NEMA 4X

Surge Protector

PRODUCT CERTIFICATIONS

5 YEARS WARRANTY
eralux

RoHS

DLC LISTED
PREMIUM

UL CERTIFIED

NSF

IK10

“Design Lights Consortium® (DLC) qualified product. Not all versions of this product may be DLC qualified. Please check the DLC Qualified Products List at www.designlights.org/QPL to confirm which versions are qualified” [Page 5](#)

SYSTEM WARRANTY – 5 YEARS

Eralux will warrant defective drivers, LEDs and boards for 5 years from the date of purchase. This warranty is valid only if the fixture is installed and used as per installation guides and specifications. If a defect is present, Eralux will send drivers and boards at no fee with a thorough replacement instructions along with instructions on the return of the defective parts back to Eralux.

LUMEN MAINTENANCE – L70 at 50,000 hours

Rated for 70% initial lumen output at 50,000 hours of operation, operated at 25°C ambient temperature; per guidelines published by the Illuminating Engineering Society (IES).

INDUSTRIAL LED LIGHT High Bay UFO | 150-240-300W

ORDERING GUIDE

AE-IL-SB2-CA		-110	-H			
AE-IL-SB2-CA ERALUX SB2 High Bay UFO	-150W 150/125/100W 22,500/18,750/15000 Lm	-110 110 beam angle	-H High output 3500K/4000K/5000K CCT Switchable	[BLANK] Hook Mount -PM¹ Pendant Mount- ¾" NPT Conduit	[BLANK] Standard -NAT² Natatorium Frosted lens and stainless-steel hardware	[BLANK] 0-10V Dimming -MS Motion Sensor
	-240W 240/200/150W 36,000/30,000/22,500 Lm					
	-300W 300/240/200W 45,000/36,000/30,000 Lm					

Fixture Family

Power

Distribution

Performance

Mounting

Speciality

Control

ORDERING GUIDE - ACCESSORIES

AE-IL-SB2-CA ERALUX SB2 High Bay UFO	-WIREGUARD Wire guard	-150W For 150W	AE-IL-SB2-CA ERALUX SB2 High Bay UFO	-RFL-PC-COVER³ Polycarbonate reflector cover	-150W For 150W
	-RFL-PC Polycarbonate reflector	-240W For 240W			-240W For 240W
	-RFL-AL Aluminum reflector	-300W For 300W			-300W For 300W

Accessory Family

Accessory

Size

Accessory Family

Accessory

Size

[BLANK] No EMBB BLD-UM60D/R-YYY 60W Emergency Battery Backup	[BLANK] No Chain AE-IL-SB2-CA-METAL CHAIN 3.2ft Metal chain

EMBB

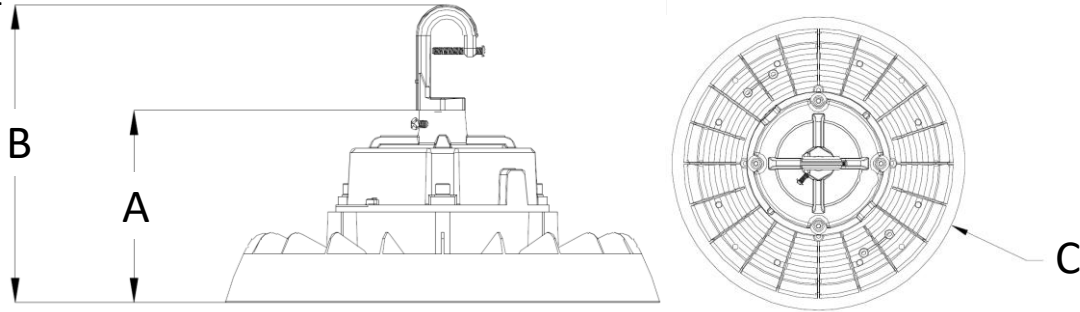
CHAIN

1. Only adaptor provided by Eralux
2. Lumen output for NAT fixtures will be 20% less than standard fixtures
3. Polycarbonate reflector usually ordered with the polycarbonate reflector

INDUSTRIAL LED LIGHT High Bay UFO | 150-240-300W

DIMENSIONS

FIXTURE

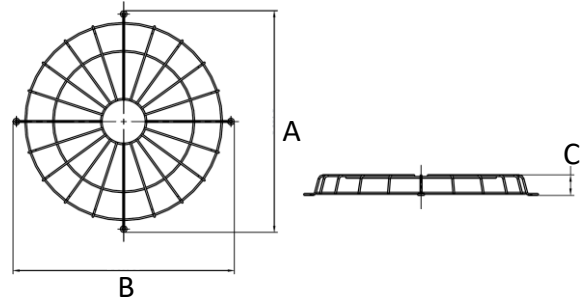


POWER	150W	240W	300W
A	4.43"	4.65"	4.76"
B	7.0"	7.2"	10.42"
C	10.43"	12.82"	13.8"

ACCESSORIES

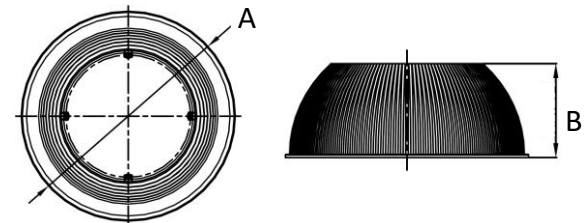
WIREGUARD

POWER	150W	240W	300W
A	9.91"	12.61"	14.35"
B	9.91"	12.61"	14.35"
C	1.18"	1.18"	1.18"



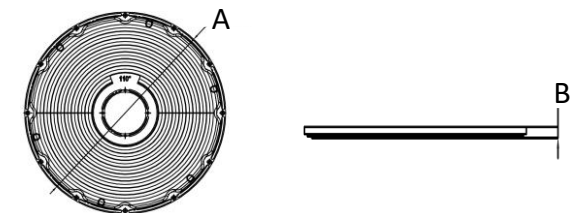
POLYCARBONATE REFLECTOR

POWER	150W	240W	300W
A	16.28"	18.89"	16.22"
B	6.84"	7.12"	4.84"






POLYCARBONATE LENS

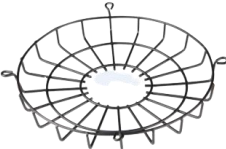



POWER	150W	240W	300W
A	8.66"	10.66"	11.53"
B	0.28"	0.3"	0.3"



MOUNTING

	DESCRIPTION	PICTURE
HOOK MOUNT	Standard mounting option	
PENDANT	Hook can be replaced by 3/4" NPT conduit mounting.	
METAL CHAIN	Facilitates the installation of the fixture	

ACCESSORIES

CODE	DESCRIPTION	PICTURE
AE-IL-SB2-CA-WIREGUARD-150W AE-IL-SB2-CA-WIREGUARD-240W AE-IL-SB2-CA-WIREGUARD-300W	Wire guards help shield the light from accidental impacts.	
AE-IL-SB2-CA-RFL-PC-150W AE-IL-SB2-CA-RFL-PC-240W AE-IL-SB2-CA-RFL-PC-300W	Polycarbonate reflectors help in directing and distributing light more evenly across a space.	
AE-IL-SB2-CA-RFL-PC-COVER-150W AE-IL-SB2-CA-RFL-PC-COVER-240W AE-IL-SB2-CA-RFL-PC-COVER-300W	These covers can help diffuse light evenly, reducing glare and creating a more comfortable lighting environment.	
AE-IL-SB2-CA-RFL-AL-150W AE-IL-SB2-CA-RFL-AL-240W AE-IL-SB2-CA-RFL-AL-300W	Aluminum reflectors have a high reflectivity, they can effectively bounce light toward the desired area, maximizing illumination and improving overall lighting efficiency.	

INDUSTRIAL LED LIGHT

High Bay UFO | 150-240-300W

DLC MODELS



DLC MODEL	PRODUCT ID
AE-IL-SB2-CA-150W-110-H-[Blank,(MS),(PIR),(BT)]	S-A238S5
AE-IL-SB2-CA-200W-110-H-[Blank,(MS),(PIR),(BT)]	S-ZDR7CM
AE-IL-SB2-CA-240W-110-H-[Blank,(MS),(PIR),(BT)]	S-DR8HAI
AE-IL-SB2-CA-300W-110-H-[Blank,(MS),(PIR),(BT)]	S-B9FYXD

CONTROLS

EMERGENCY LED DRIVER

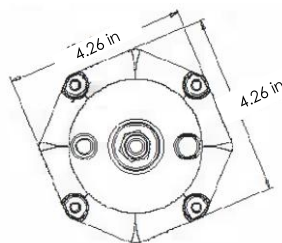
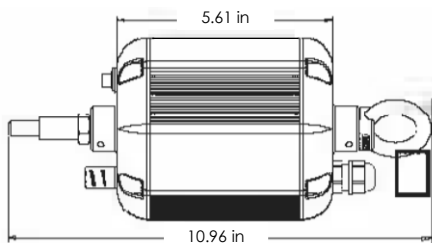
Ordered separately, field installed

BLD-UM60D/R-YYY



The BLD-UMXXX-YYY series LED Emergency Driver is UL listed for field and factory installation, allowing a single LED fixture to operate in both normal and emergency modes. In case of power failure, it powers the fixture for up to 90 minutes, integrating a battery, charger, and converter in one unit. Supporting LED loads of 30-60W at 170VDC, its constant power design ensures consistent illumination during emergencies, making it ideal for 0-10V dimmable indoor industrial LED fixtures, such as flat panels, troffers, and UFO lights.

SPECIFICATIONS	
Input Voltage	100-347 Vac
Power Frequency	50/60HZ
Input Power	15W MAX
Output Voltage	170V Dc
Output Power	60W
Ambient Temperature	5°C to 50°C
	41°F to 122°F
Installation	Remote



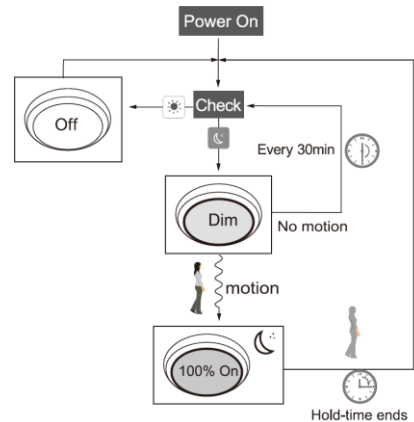
CONTROLS

MOTION SENSOR

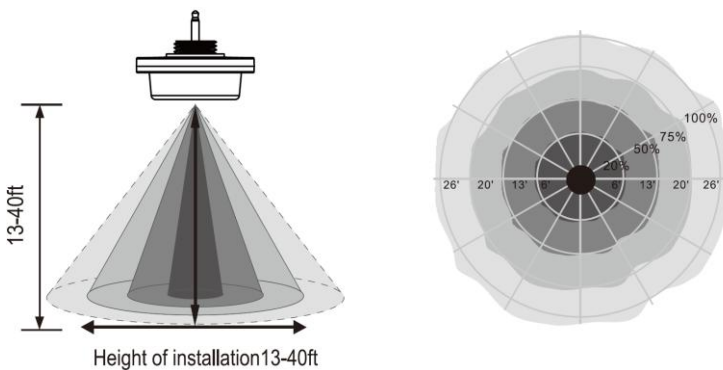
CODE	DESCRIPTION	PICTURE
AE-IL-SB2-CA-MSKIT	Plug in low-voltage microwave motion sensor	
AE-IL-SB2-CA-REMOTE-CTRL	Remote control for the motion sensor	

Factory mode

Factory Default Setting	
Sensitivity	100%
Hold on time	5 min
Daylight Sensor	ON
Dimming level	30%
Dimming time	30 min



Area Coverage



INDUSTRIAL LED LIGHT High Bay UFO | 150-240-300W

LUMEN ESTIMATE

Lumen output varies based on CCT and CRI. An estimate of lumen output of the various CCT/CRI combinations, use correction factors as per table below:

LUMEN ESTIMATE ADJUSTMENT FACTORS				
CCT	2700K	3000K	3500K	4000K
PREMIUM (80CRI)	0.96	1	1.03	1.06

PHOTOMETRIC DATA

PART NUMBER		ZONAL LUMEN SUMMARY			POLAR LUMINOUS INTENSITY	CONE DISTRIBUTION			
AE-IL-SB2-CA-150W-110-H-XX		Zone	Lumens	% Fixture	Direct Light	Center Beam Fc	Beam Width		
Wattage	150W	0-20°	3456.38	14.40		3.3ft	819 fc	7.7 ft	6.5 ft
CCT	3000K	0-30°	7839.2	32.70		6.7ft	199 fc	15.7 ft	13.1 ft
Distribution	110°	0-40°	13738.00	57.30		10.0ft	89.2 fc	23.4 ft	19.6 ft
		0-60°	22123.89	92.30		13.3ft	50.4 fc	31.2 ft	26.0 ft
		0-80°	23586.79	98.40		16.7ft	32 fc	39.2 ft	32.7 ft
		0-90°	22831.4	98.80		20.0ft	22.3 fc	46.9 ft	39.1 ft
					■ Vert. Spread: 99.1° ■ Horiz. Spread: 88.7°				

PART NUMBER		ZONAL LUMEN SUMMARY			POLAR LUMINOUS INTENSITY	CONE DISTRIBUTION			
AE-IL-SB2-CA-240W-110-H-XX		Zone	Lumens	% Fixture	Direct Light	Center Beam Fc	Beam Width		
Wattage	240W	0-20°	5549.53	15.20		3.3ft	1280 fc	7.0 ft	5.8 ft
CCT	3000K	0-30°	12765.11	35.10		6.7ft	311 fc	14.2 ft	11.7 ft
Distribution	110°	0-40°	22186.47	61.00		10.0ft	139 fc	21.2 ft	17.4 ft
		0-60°	33599.78	92.40		13.3ft	78.8 fc	28.2 ft	23.2 ft
		0-80°	35853.45	98.70		16.7ft	50 fc	35.5 ft	29.1 ft
		0-90°	36018.43	99.10		20.0ft	34.9 fc	42.5 ft	34.9 ft
					■ Vert. Spread: 93.4° ■ Horiz. Spread: 82.2°				

PART NUMBER		ZONAL LUMEN SUMMARY			POLAR LUMINOUS INTENSITY	CONE DISTRIBUTION			
AE-IL-SB2-CA-300W-110-H-XX		Zone	Lumens	% Fixture	Direct Light	Center Beam Fc	Beam Width		
Wattage	300W	0-20°	6886.46	15.6		3.3ft	1658 fc	8.2 ft	6.6 ft
CCT	3000K	0-30°	15316.64	34.6		6.7ft	402 fc	16.7 ft	13.3 ft
Distribution	110°	0-40°	26238.85	59.3		10.0ft	181 fc	24.9 ft	19.9 ft
		0-60°	41084.02	92.9		13.3ft	102 fc	33.1 ft	26.5 ft
		0-80°	43462.7	98.3		16.7ft	64.8 fc	41.6 ft	33.3 ft
		0-90°	43601.81	98.6		20.0ft	45.2 fc	49.8 ft	39.8 ft
					■ Vert. Spread: 102.5° ■ Horiz. Spread: 89.7°				

INDUSTRIAL LED LIGHT High Bay UFO | 150-240-300W

LUMEN ESTIMATE

Lumen output varies based on CCT and CRI. An estimate of lumen output of the various CCT/CRI combinations, use correction factors as per table below:

LUMEN ESTIMATE ADJUSTMENT FACTORS				
CCT	2700K	3000K	3500K	4000K
PREMIUM (80CRI)	0.96	1	1.03	1.06

PHOTOMETRIC DATA

PART NUMBER		ZONAL LUMEN SUMMARY			POLAR LUMINOUS INTENSITY	CONE DISTRIBUTION			
AE-IL-SB2-CA-240W-110-H-NAT		Zone	Lumens	% Fixture	Direct Light	Center Beam Fc	Beam Width		
Wattage	240W	0-20°	5211.47	14.7		3.3ft	1290 fc	7.9 ft	7.9 ft
CCT	3000K	0-30°	11139.07	31.3		6.7ft	313 fc	16.1 ft	16.1 ft
Distribution	110°	0-40°	18126.13	51		10.0ft	140 fc	24.0 ft	24.0 ft
Frosted lens		0-60°	29801.77	83.8		13.3ft	79.4 fc	31.9 ft	31.9 ft
		0-80°	34666.2	97.5		16.7ft	50.4 fc	40.0 ft	40.0 ft
		0-90°	35078.29	98.7	20.0ft	35.1 fc	47.9 ft	47.9 ft	
						■ Vert. Spread: 100.3° ■ Horiz. Spread: 100.3°			

PART NUMBER		ZONAL LUMEN SUMMARY			POLAR LUMINOUS INTENSITY	CONE DISTRIBUTION			
AE-IL-SB2-CA-240W-110-H-XX		Zone	Lumens	% Fixture	Direct Light	Center Beam Fc	Beam Width		
Wattage	240W	0-20°	4731.8	14.4		1.7ft	4442 fc	3.6 ft	3.7 ft
CCT	3000K	0-30°	10430.75	31.8		3.3ft	1179 fc	7.1 ft	7.2 ft
Distribution	110°	0-40°	17053.81	52		5.0ft	514 fc	10.7 ft	11.0 ft
Frosted lens		0-60°	26423.16	80.6		6.7ft	286 fc	14.4 ft	14.7 ft
		0-80°	30165.99	92		8.3ft	186 fc	17.8 ft	18.2 ft
Reflector with cover		0-90°	30652.81	93.5	10.0ft	128 fc	21.5 ft	21.9 ft	
						■ Vert. Spread: 94.0° ■ Horiz. Spread: 95.2°			

PART NUMBER		ZONAL LUMEN SUMMARY			POLAR LUMINOUS INTENSITY	CONE DISTRIBUTION			
AE-IL-SB2-CA-240W-110-H-XX		Zone	Lumens	% Fixture	Direct Light	Center Beam Fc	Beam Width		
Wattage	240W	0-20°	6361.7	20.1		1.7ft	6044 fc	3.1 ft	2.7 ft
CCT	3000K	0-30°	13514.25	42.7		3.3ft	1604 fc	6.0 ft	5.3 ft
Distribution	110°	0-40°	20774.75	65.6		5.0ft	699 fc	9.2 ft	8.0 ft
Frosted lens		0-60°	28407.8	89.7		6.7ft	389 fc	12.3 ft	10.8 ft
		0-80°	30606.33	96.7		8.3ft	254 fc	15.2 ft	13.3 ft
Reflector without cover		0-90°	30864.69	97.5	10.0ft	175 fc	18.3 ft	16.1 ft	
						■ Vert. Spread: 84.9° ■ Horiz. Spread: 77.6°			

OVERVIEW

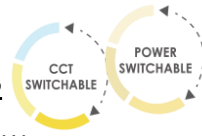


Innovative Design

- Aluminum die-cast and heat sink to ensure superior thermal heat dissipation
- Polycarbonate lens protection for NEMA 4X ratings.



Multiple Options



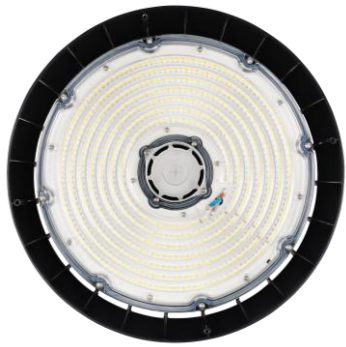
- 3 sizes 150W-240W-300W.
- Power switchable.
- 3 CCT selectable; 30/35/40K

SIZE	POWER	LUMENS
150W	150/125/100W	22,500/18,750/15000 Lm
240W	240/200/150W	36,000/30,000/22,500 Lm
300W	300/240/200W	45,000/36,000/30,000 Lm



FEATURE

- Natatorium option:
With the frosted lens and stainless-steel hardware, the SB2 can be placed above pools



Mountings Available

- Hook Mount.
- Pendant using 3/4" adaptor.



ACCESSORIES

- Wire guard.
- Polycarbonate reflector and cover.
- Aluminum reflector.
- EMBB.
- Motion sensor.
- Metal chain.



Emergency backup battery



Motion Sensor



Tests And Certifications