

SLIMA FIRE

LED COMMERCIAL DOWNLIGHT

Recessed Wafer | Fire Rated | 4" & 6" Round

The SLIMA Fire Series LED downlight is the ideal recessed downlight for any retrofit or new construction project. The spring-action housing clips facilitates the installation process for any power option. The SLIMA Fire downlights has a selectable CCT switch enabling to change the color projection from 2700K to 5000K, offering an unparalleled level of flexibility. What makes such fixture unique is the capability of resisting fire.

Applications: Office | Retail | stores | Hotels | Restaurants | Library.

	DATE	QTY	ACC. QTY	TYPE
PROJECT				
PN				
ACCESSORY PN				
NOTES				



DYNAMIC MENU

Order Information	Page 2
Dimensions	Page 3
Accessories	Page 5
Photometric Data	Page 7

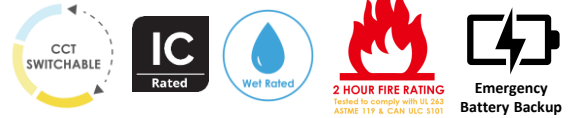
[Install Instruction link](#)

SPECIFICATIONS

Input Voltage	120V
Power Factor	>0.9
Total Harmonic Distortion	<20%
Dimming Page 7	TRIAC
CRI	80 CRI
CCT	<div style="display: flex; gap: 10px;"> 27K 30K 35K 40K 50K </div>
Efficacy	~ 78 LPW
Size	4" 6"
Power	9W 14W
Ambient Temperature Range	-20°C to 45°C
Mounting Accessories	New construction Retro-fit
Trim Finish	White Black
Distribution	



PRODUCT FEATURES



PRODUCT CERTIFICATIONS



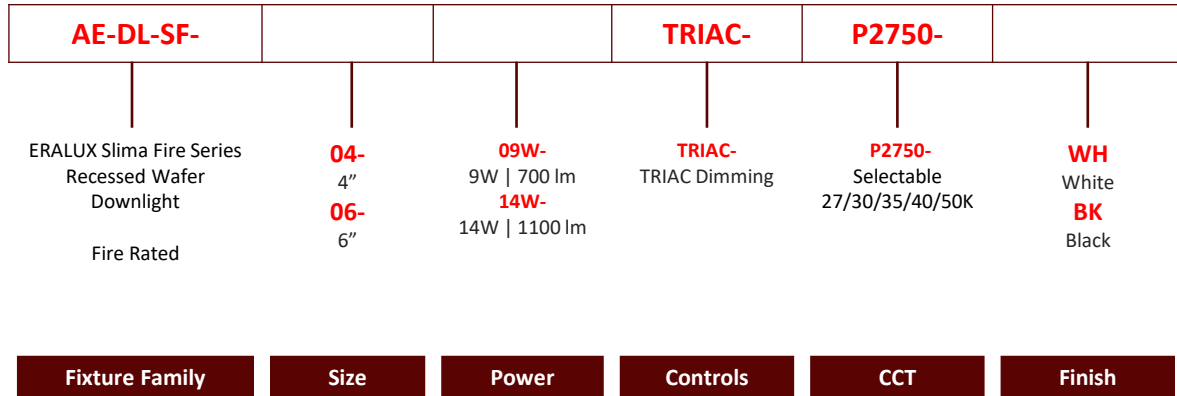
SYSTEM WARRANTY – 5 YEARS

Eralux will warrant defective drivers, LEDs and boards for 5 years from the date of purchase. This warranty is valid only if the fixture is installed and used as per installation guides and specifications. If a defect is present, Eralux will send drivers and boards at no fee with a thorough replacement instructions along with instructions on the return of the defective parts back to Eralux.

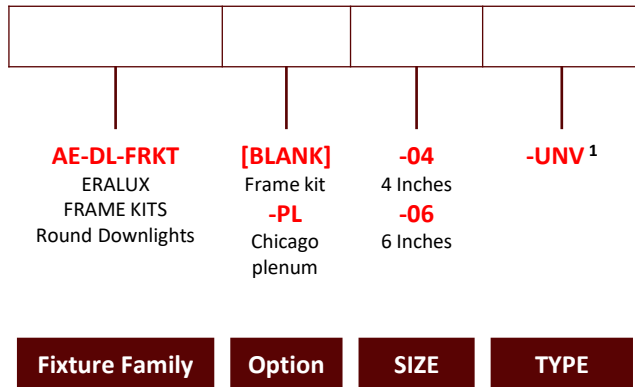
LUMEN MAINTENANCE – L70 at 50,000 hours

Rated for 70% initial lumen output at 50,000 hours of operation, operated at 25°C ambient temperature; per guidelines published by the Illuminating Engineering Society (IES).

ORDERING GUIDE

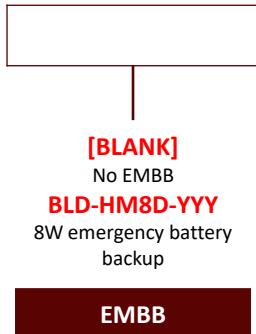


ORDERING GUIDE – FRAME KIT



1. Junction Box is not included. SLIMA FIRE SERIES comes with a junction box by default.

ORDERING GUIDE – EMBB

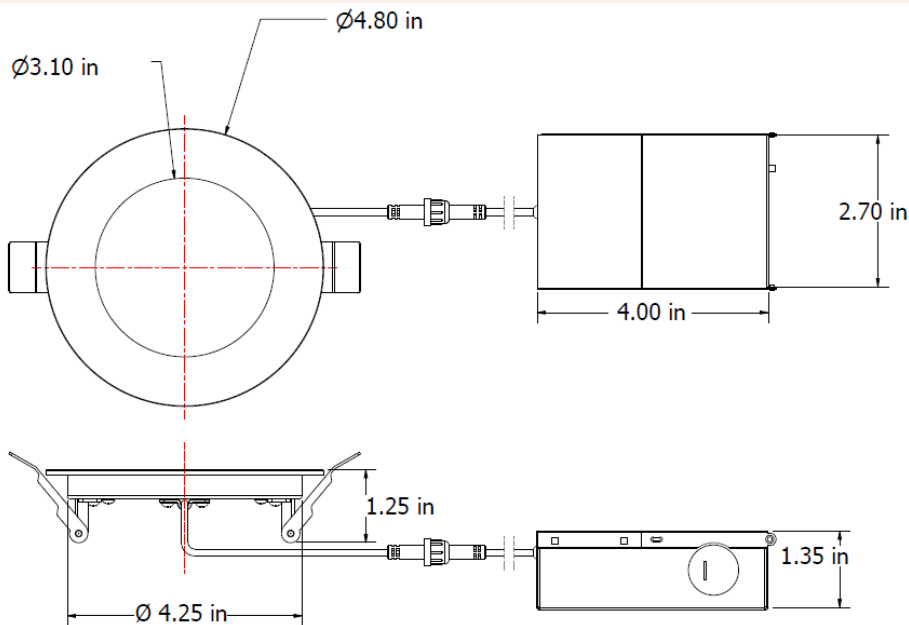


DIMENSIONS

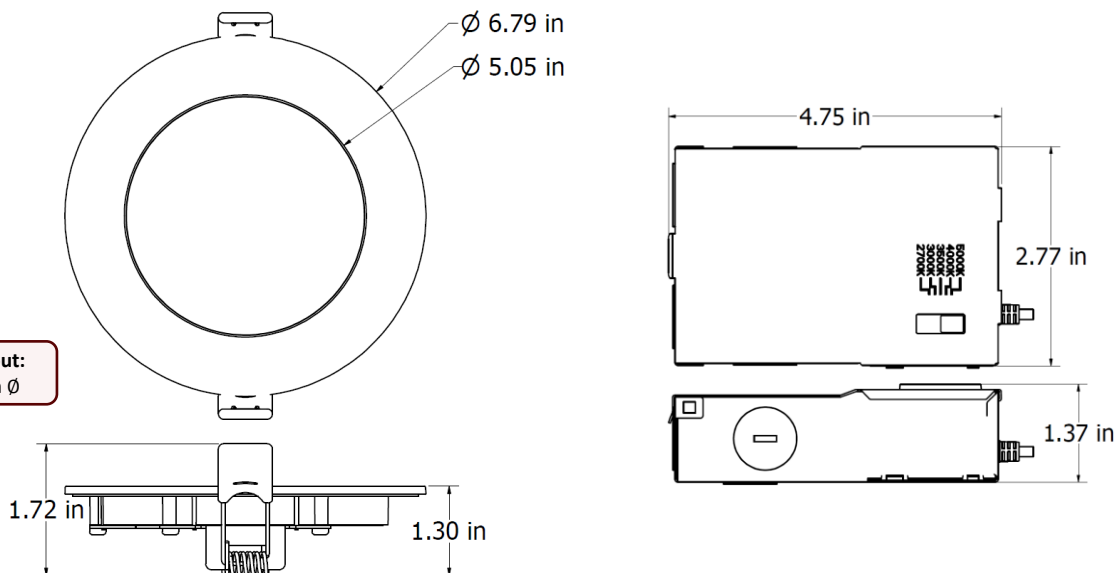
FIXTURE

DRIVER

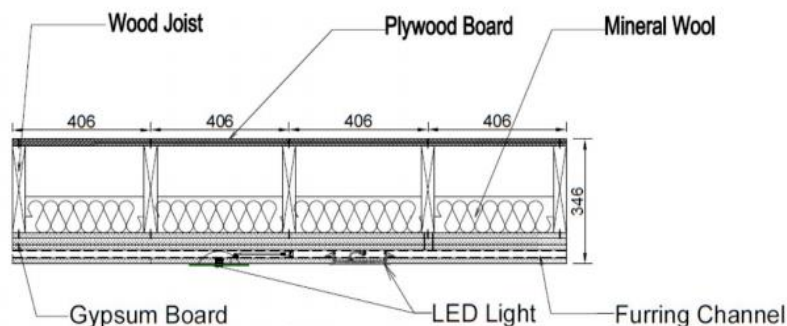
AE-DL-SF-04-XX-TRIAC-P2750-XX



AE-DL-SF-06-XX-TRIAC-P2750-XX



Fire Rated Ceiling Assembly



Assembly Description:

Use a 2-hour fire rated ceiling assembly constructed in accordance with construction specifications of UL Design No. L556. The nominal size of wood joist floor-ceiling assembly is 1680mm long by 1624mm wide by 338mm deep, consisted of wood joists, gypsum board, flooring, rock wool and was constructed at laboratory. The fire rated ceiling assembly consisting of the following:

Wood Joist

Five 1604mm long wood joists were to be positioned and secured to the wood bearing plates of 1624mm long with three M4.8x75mm Hexagon washer head self-tapping screws per wood joist end. The three staggered bridging of each row were to be positioned between wood joists and secured to the joists with three M4.8x75mm Hexagon washer head self-tapping screws per bridging end.

Flooring

One layer of 15mm plywood was placed on unexposed side of the wood frame along the direction of wood joists and fastened by ST3.5x35mm flat head self-tapping screws with a spacing of approximately 203mm in the perimeter and in the field.

Insulation

50mm thick rockwool was positioned into the cavity between wood joists above gypsum board.

Gypsum Board

Base layer 15mm Knauf gypsum board applied at right angles to the wood joists by ST3.5x35mm flat head self-tapping screws spaced 12" o.c. Second layer 15mm Knauf gypsum board applied at right angles to joists by ST3.5x50mm flat head self-tapping screws spaced 8" o.c. Second layer joints offset 32" from base layer joints. Third layer 15mm Knauf gypsum board applied at right angles to joists by ST3.5x64mm flat head self-tapping screws spaced 8" o.c. Third layer joints offset 16" from second layer joints. Five Hat-shaped rigid furring channels spaced 16" o.c. applied at right angles to joists over third layer with two ST3.5x64mm flat head self-tapping screws at each joist. Face layer 15mm Knauf gypsum wallboard applied at right angles to furring channels by ST3.5x35mm flat head self-tapping screws 8" o.c. The board joints and screws head were coated with 2 layers of joint compound.

Sample Installation:

Follow the manufacturer's installation instructions, cut a circular opening in the gypsum ceiling such that the annular space between the gypsum board and test specimen does not exceed 1/8 in. The test specimens were fixed to the face layer 15mm Knauf gypsum board of floor-ceiling assembly by spring clips.

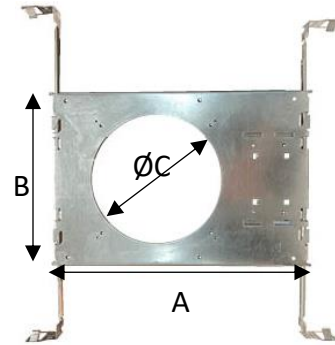
ACCESSORIES

Ordered separately, field installed

NEW CONSTRUCTION UNIVERSAL FRAME KIT

SPECIFICATIONS	
MATERIAL	22-gauge galvanized steel housing
MOUNTING	T Grid Ceiling
	Gypsum Ceiling
	Maximum Thickness ~1.5"
LENGTH (A)	12.75"
WIDTH (B)	8.63"

OPENING SIZE			
ORDERING CODE	SIZE	SHAPE	C
AE-DL-FRKT-04-UNV	4"	Round	Ø 4.5"
AE-DL-FRKT-06-UNV	6"	Round	Ø 6.37"



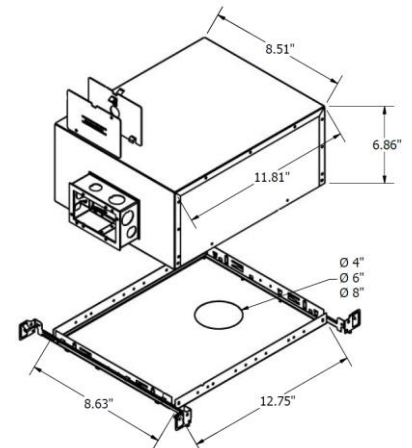
CHICAGO PLENUM

SPECIFICATIONS	
MATERIAL	27-gauge galvanized steel frame Galvanized steel junction box with gasket
MOUNTING	T-bar or drywall ceilings Up to 1.5" thick

OPENING SIZE		
ORDERING CODE	SIZE	SHAPE
AE-DL-FRKT-PL-04	4"	Round
AE-DL-FRKT-PL-06	6"	Round

COMPONENTS

- Chicago Plenum External Cover
- Chicago Plenum Internal Cover
- Chicago Plenum I.C. Box
- Chicago Plenum 4-inch Plaster Frame
- Chicago Plenum 6-inch Plaster Frame
- Chicago Plenum 8-inch Plaster Frame
- Chicago Plenum Suspension Bars (2 sets)



CONTROL ACCESSORIES

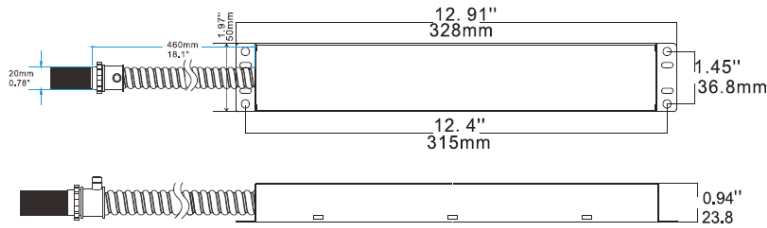
Ordered separately, field installed

EMERGENCY BATTERY BACK UP - REMOTE

BLD-HM8D-YYY



The BLD-HMXXD-YYY series LED Emergency Driver is UL listed for field and factory installations. It switches to emergency mode during power failures, providing up to 90 minutes of lighting. With an integrated battery, charger, and converter, it delivers 6-25W constant power at 170VDC. Ideal for 0-10V dimmable indoor commercial LED fixtures, such as flat panels, troffers, downlights, and linear strip lights.

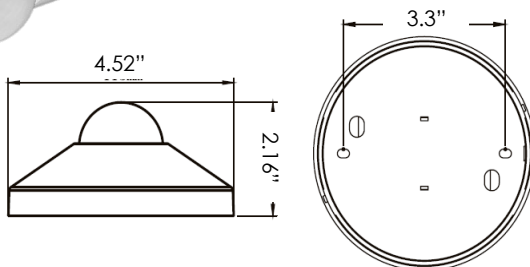


SPECIFICATIONS	
Input Voltage	100-347 Vac
Power Frequency	50/60HZ
Input Power	8W max
Output Voltage	170V Dc
Output Power	8W
Ambient Temperature	0°C to 50°C
	30°F to 122°F

ROOM OCCUPANCY SENSOR

PART NUMBER	DESCRIPTION
AE-CT-DT806	Line Voltage Motion Sensor
RC102	RC102 Remote Control

SPECIFICATIONS		
Input Voltage	120-277 Vac	
Power Frequency	50/60HZ	
Rated Load	At 120 Vac	800W
	At 277 Vac	1200W
Detection Range	3-10 Meters	
	9.8-32.8 Feet	
Standby Power	~0.9W	
Time Setting	10 sec to 30 min	
Light Control	10-2,000LUX	
Installation	Ceiling Mounted	



DIMMER COMPATIBILITY LIST

TRIAC Dimming

Brand	Model	Brand	Model
LUTRON	S-600PR-WH	LEVITON	6631-1LW
	CTCL-153PR-WH		6674-POT
	DVWCL-153PH-WH		6672-1LW
	DVCL-153PR-BL		6683-1W
	TG600PR-LA		
	TGCL-153PH-WH		
	CT600P-WH		

LUMENS ESTIMATE

Lumen output varies based on CCT and CRI. An estimate of lumen output of the various CCT/CRI combinations, use correction factors as per table below:

LUMEN ESTIMATE ADJUSTMENT FACTORS				
CCT	2700K	3000K	3500K	4000K
NORMAL	0.97	1	1.03	1.05

PHOTOMETRIC DATA

PART NUMBER		ZONAL LUMEN SUMMARY			POLAR LUMINOUS INTENSITY
AE-DL-SF-04-09-TRIAC-P2750-XX		Zone	Lumens	% Fixture	Direct Light
Wattage	9W	0-20°	113.87	13.60	
CCT	3500K	0-30°	240.59	28.80	
Distribution	120°	0-40°	390.83	46.80	
		0-60°	675.24	80.80	
		0-80°	821.44	98.30	
		0-90°	827.19	99.00	

PART NUMBER		ZONAL LUMEN SUMMARY			POLAR LUMINOUS INTENSITY
AE-DL-SF-04-09-TRIAC-P2750-XX		Zone	Lumens	% Fixture	Direct Light
Wattage	9W	0-20°	111.80	13.50	
CCT	5000K	0-30°	236.19	28.40	
Distribution	120°	0-40°	383.61	46.20	
		0-60°	662.57	79.70	
		0-80°	810.94	97.60	
		0-90°	822.48	99.00	

OVERVIEW



Innovative Design

- The Slim recessed downlight has a full thickness of just 1" allowing it to be used in a variety of application where fixture size and weight plays a decisive role.



Accessories

- New construction frame kit.
- Emergency back up battery.



Multiple Options

- 2 sizes 4" and 6"
- 5 CCT switchable from 2700K to 5000K.
- Black or white trim finish



Mountings Available

Durable stainless steel spring action housing clips for retrofit installations or purchase with the new construction frame kit for new constructions.



Fire Rated

The fixture's housing expands when exposed to heat, preventing fire to expand throughout the ceiling. It lasts for 120 minutes.



2 HOUR FIRE RATING
Tested to comply with UL 263
ASTME 119 & CAN ULC S101



Tests And Certifications

