

SLIMA FIRE

LED COMMERCIAL DOWNLIGHT

Recessed Wafer | Fire Rated | 4" & 6" Round

The SLIMA Fire Series LED downlight is the ideal recessed downlight for any retrofit or new construction project. The spring-action housing clips facilitates the installation process for any power option. The SLIMA Fire downlights has a selectable CCT switch enabling to change the color projection from 2700K to 5000K, offering an unparalleled level of flexibility. What makes such fixture unique is the capability of resisting fire.

Applications: Office | Retail | stores | Hotels | Restaurants | Library.

| | DATE | QTY | ACC. QTY | TYPE |
|--------------|------|-----|----------|------|
| PROJECT | | | | |
| PN | | | | |
| ACCESSORY PN | | | | |
| NOTES | | | | |




DYNAMIC MENU

| | |
|-------------------|------------------------|
| Order Information | Page 2 |
| Dimensions | Page 3 |
| Accessories | Page 5 |
| Photometric Data | Page 7 |

[Install Instruction link](#)

SPECIFICATIONS

| | | | |
|--------------------------------|---|----|-----|
| Input Voltage | 120V | | |
| Power Factor | >0.9 | | |
| Total Harmonic Distortion | <20% | | |
| Dimming Page 7 | TRIAC | | |
| CRI | 80 CRI | | |
| CCT | <div style="display: flex; gap: 10px;"> <div style="border: 1px solid black; border-radius: 50%; width: 20px; height: 20px; background-color: #fff9c4; display: flex; align-items: center; justify-content: center;">27K</div> <div style="border: 1px solid black; border-radius: 50%; width: 20px; height: 20px; background-color: #fff176; display: flex; align-items: center; justify-content: center;">30K</div> <div style="border: 1px solid black; border-radius: 50%; width: 20px; height: 20px; background-color: #fff9c4; display: flex; align-items: center; justify-content: center;">35K</div> <div style="border: 1px solid black; border-radius: 50%; width: 20px; height: 20px; background-color: #bbdefb; display: flex; align-items: center; justify-content: center;">40K</div> <div style="border: 1px solid black; border-radius: 50%; width: 20px; height: 20px; background-color: #b39ddb; display: flex; align-items: center; justify-content: center;">50K</div> </div> | | |
| Efficacy | ~ 78 LPW | | |
| Size | <table border="1" style="width: 100%;"> <tr> <td style="width: 50%;">4"</td> <td style="width: 50%;">6"</td> </tr> </table> | 4" | 6" |
| 4" | 6" | | |
| Power | <table border="1" style="width: 100%;"> <tr> <td style="width: 50%;">9W</td> <td style="width: 50%;">14W</td> </tr> </table> | 9W | 14W |
| 9W | 14W | | |
| Ambient Temperature Range | -20°C to 45°C | | |
| Mounting Accessories | New construction Retro-fit | | |
| Trim Finish | White Black for 4" only | | |
| Distribution |  | | |



PRODUCT FEATURES



PRODUCT CERTIFICATIONS



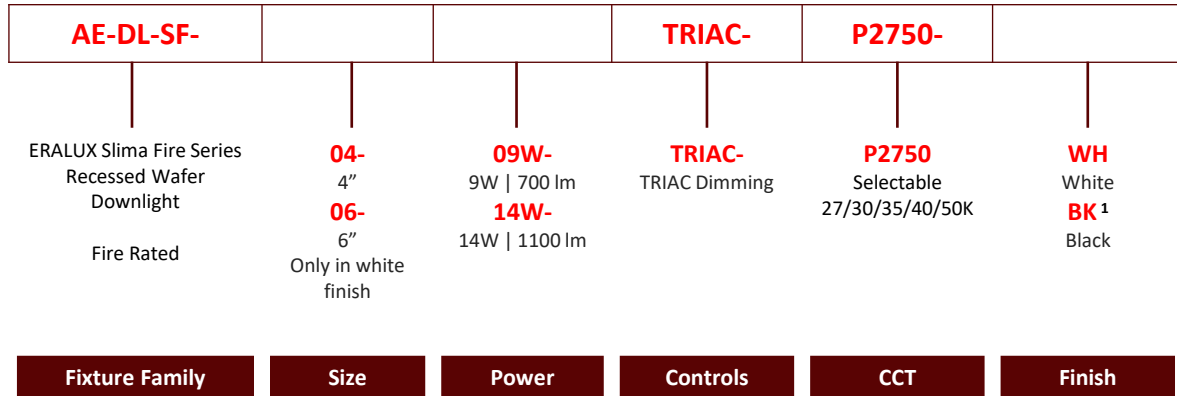
SYSTEM WARRANTY – 5 YEARS

Eralux will warrant defective drivers, LEDs and boards for 5 years from the date of purchase. This warranty is valid only if the fixture is installed and used as per installation guides and specifications. If a defect is present, Eralux will send drivers and boards at no fee with a thorough replacement instructions along with instructions on the return of the defective parts back to Eralux.

LUMEN MAINTENANCE – L70 at 50,000 hours

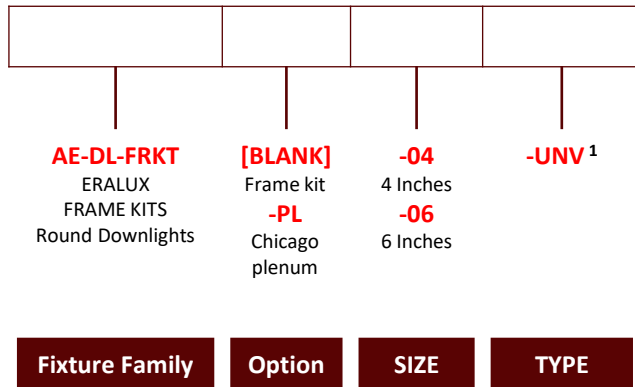
Rated for 70% initial lumen output at 50,000 hours of operation, operated at 25°C ambient temperature; per guidelines published by the Illuminating Engineering Society (IES).

ORDERING GUIDE



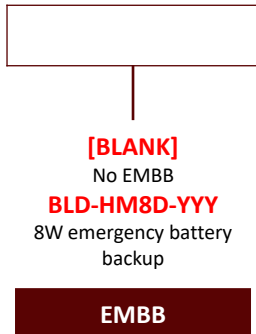
1. Black finish is available for 4 inch only.

ORDERING GUIDE – FRAME KIT



1. Junction Box is not included. SLIMA FIRE SERIES comes with a junction box by default.

ORDERING GUIDE – EMBB

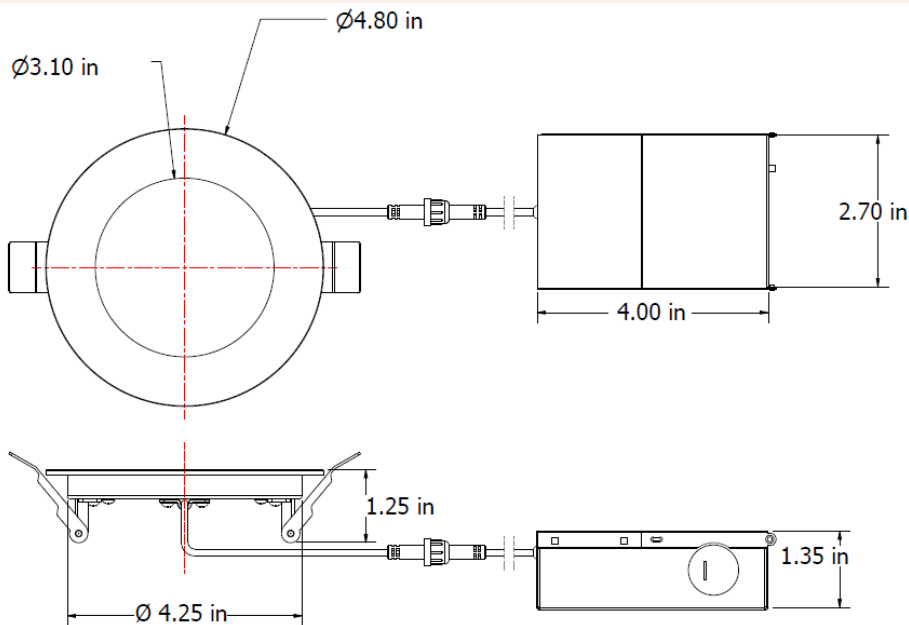


DIMENSIONS

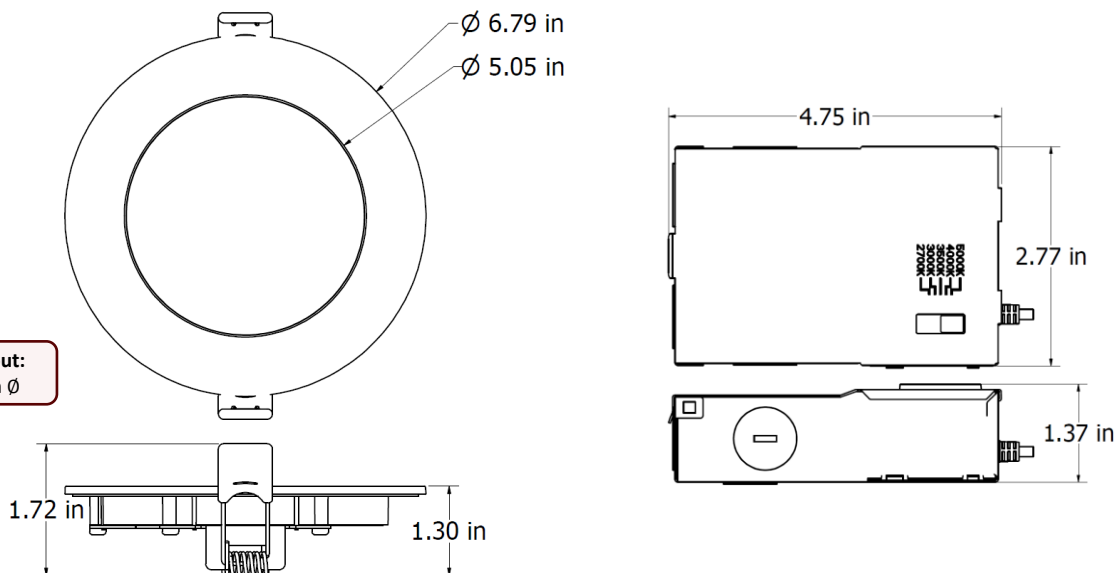
FIXTURE

DRIVER

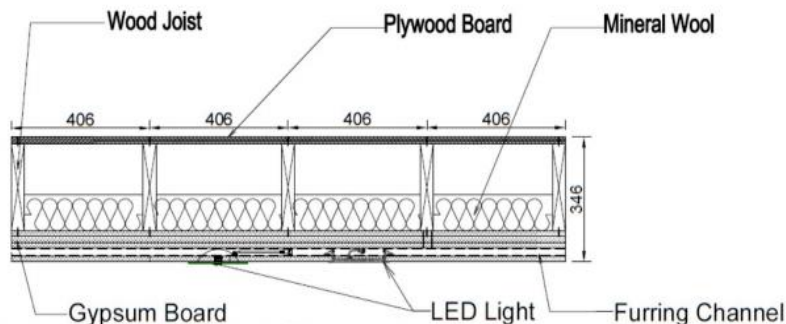
AE-DL-SF-04-XX-TRIAC-P2750-XX



AE-DL-SF-06-XX-TRIAC-P2750-XX



Fire Rated Ceiling Assembly



Assembly Description:

Use a 2-hour fire rated ceiling assembly constructed in accordance with construction specifications of UL Design No. L556. The nominal size of wood joist floor-ceiling assembly is 1680mm long by 1624mm wide by 338mm deep, consisted of wood joists, gypsum board, flooring, rock wool and was constructed at laboratory. The fire rated ceiling assembly consisting of the following:

Wood Joist

Five 1604mm long wood joists were to be positioned and secured to the wood bearing plates of 1624mm long with three M4.8x75mm Hexagon washer head self-tapping screws per wood joist end. The three staggered bridging of each row were to be positioned between wood joists and secured to the joists with three M4.8x75mm Hexagon washer head self-tapping screws per bridging end.

Flooring

One layer of 15mm plywood was placed on unexposed side of the wood frame along the direction of wood joists and fastened by ST3.5x35mm flat head self-tapping screws with a spacing of approximately 203mm in the perimeter and in the field.

Insulation

50mm thick rockwool was positioned into the cavity between wood joists above gypsum board.

Gypsum Board

Base layer 15mm Knauf gypsum board applied at right angles to the wood joists by ST3.5x35mm flat head self-tapping screws spaced 12" o.c. Second layer 15mm Knauf gypsum board applied at right angles to joists by ST3.5x50mm flat head self-tapping screws spaced 8" o.c. Second layer joints offset 32" from base layer joints. Third layer 15mm Knauf gypsum board applied at right angles to joists by ST3.5x64mm flat head self-tapping screws spaced 8" o.c. Third layer joints offset 16" from second layer joints. Five Hat-shaped rigid furring channels spaced 16" o.c. applied at right angles to joists over third layer with two ST3.5x64mm flat head self-tapping screws at each joist. Face layer 15mm Knauf gypsum wallboard applied at right angles to furring channels by ST3.5x35mm flat head self-tapping screws 8" o.c. The board joints and screws head were coated with 2 layers of joint compound.

Sample Installation:

Follow the manufacturer's installation instructions, cut a circular opening in the gypsum ceiling such that the annular space between the gypsum board and test specimen does not exceed 1/8 in. The test specimens were fixed to the face layer 15mm Knauf gypsum board of floor-ceiling assembly by spring clips.

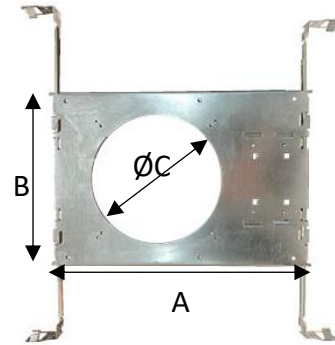
ACCESSORIES

Ordered separately, field installed

NEW CONSTRUCTION UNIVERSAL FRAME KIT

| SPECIFICATIONS | |
|-------------------|-----------------------------------|
| MATERIAL | 22-gauge galvanized steel housing |
| MOUNTING | T Grid Ceiling |
| | Gypsum Ceiling |
| | Maximum Thickness ~1.5" |
| LENGTH (A) | 12.75" |
| WIDTH (B) | 8.63" |

| OPENING SIZE | | | |
|-------------------|------|-------|---------|
| ORDERING CODE | SIZE | SHAPE | C |
| AE-DL-FRKT-04-UNV | 4" | Round | Ø 4.5" |
| AE-DL-FRKT-06-UNV | 6" | Round | Ø 6.37" |



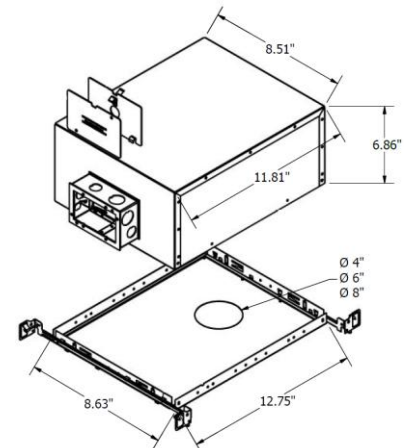
CHICAGO PLENUM

| SPECIFICATIONS | |
|-----------------|--|
| MATERIAL | 27-gauge galvanized steel frame Galvanized steel junction box with gasket |
| MOUNTING | T-bar or drywall ceilings Up to 1.5" thick |

| OPENING SIZE | | |
|------------------|------|-------|
| ORDERING CODE | SIZE | SHAPE |
| AE-DL-FRKT-PL-04 | 4" | Round |
| AE-DL-FRKT-PL-06 | 6" | Round |

COMPONENTS

- Chicago Plenum External Cover
- Chicago Plenum Internal Cover
- Chicago Plenum I.C. Box
- Chicago Plenum 4-inch Plaster Frame
- Chicago Plenum 6-inch Plaster Frame
- Chicago Plenum 8-inch Plaster Frame
- Chicago Plenum Suspension Bars (2 sets)



CONTROL ACCESSORIES

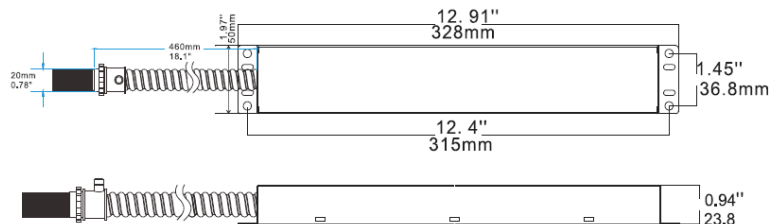
Ordered separately, field installed

EMERGENCY BATTERY BACK UP - REMOTE

BLD-HM8D-YYY



The BLD-HMXXD-YYY series LED Emergency Driver is UL listed for field and factory installations. It switches to emergency mode during power failures, providing up to 90 minutes of lighting. With an integrated battery, charger, and converter, it delivers 6-25W constant power at 170VDC. Ideal for 0-10V dimmable indoor commercial LED fixtures, such as flat panels, troffers, downlights, and linear strip lights.



SPECIFICATIONS

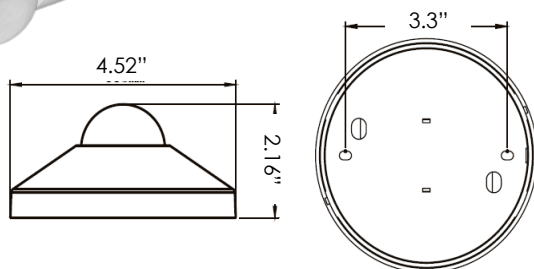
| | |
|----------------------------|---------------|
| Input Voltage | 100-347 Vac |
| Power Frequency | 50/60HZ |
| Input Power | 8W max |
| Output Voltage | 170V Dc |
| Output Power | 8W |
| Ambient Temperature | 0°C to 50°C |
| | 30°F to 122°F |

ROOM OCCUPANCY SENSOR

| PART NUMBER | DESCRIPTION |
|-------------|----------------------------|
| AE-CT-DT806 | Line Voltage Motion Sensor |
| RC102 | RC102 Remote Control |

SPECIFICATIONS

| | | |
|------------------------|------------------|-------|
| Input Voltage | 120-277 Vac | |
| Power Frequency | 50/60HZ | |
| Rated Load | At 120 Vac | 800W |
| | At 277 Vac | 1200W |
| Detection Range | 3-10 Meters | |
| | 9.8-32.8 Feet | |
| Standby Power | ~0.9W | |
| Time Setting | 10 sec to 30 min | |
| Light Control | 10-2,000LUX | |
| Installation | Ceiling Mounted | |



DIMMER COMPATIBILITY LIST

TRIAC Dimming

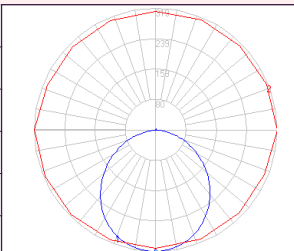
| Brand | Model | Brand | Model |
|--------|----------------|---------|----------|
| LUTRON | S-600PR-WH | LEVITON | 6631-1LW |
| | CTCL-153PR-WH | | 6674-POT |
| | DVWCL-153PH-WH | | 6672-1LW |
| | DVCL-153PR-BL | | 6683-1W |
| | TG600PR-LA | | |
| | TGCL-153PH-WH | | |
| | CT600P-WH | | |

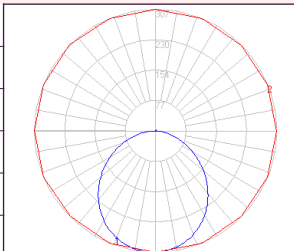
LUMENS ESTIMATE

Lumen output varies based on CCT and CRI. An estimate of lumen output of the various CCT/CRI combinations, use correction factors as per table below:

| LUMEN ESTIMATE ADJUSTMENT FACTORS | | | | | |
|-----------------------------------|-------|-------|-------|-------|--|
| CCT | 2700K | 3000K | 3500K | 4000K | |
| NORMAL | 0.97 | 1 | 1.03 | 1.05 | |

PHOTOMETRIC DATA

| PART NUMBER | | ZONAL LUMEN SUMMARY | | | POLAR LUMINOUS INTENSITY |
|-------------------------------|-------|---------------------|--------|-----------|---|
| AE-DL-SF-04-09-TRIAC-P2750-XX | | Zone | Lumens | % Fixture | Direct Light  |
| Wattage | 9W | 0-20° | 113.87 | 13.60 | |
| CCT | 3500K | 0-30° | 240.59 | 28.80 | |
| Distribution | 120° | 0-40° | 390.83 | 46.80 | |
| | | 0-60° | 675.24 | 80.80 | |
| | | 0-80° | 821.44 | 98.30 | |
| | | 0-90° | 827.19 | 99.00 | |

| PART NUMBER | | ZONAL LUMEN SUMMARY | | | POLAR LUMINOUS INTENSITY |
|-------------------------------|-------|---------------------|--------|-----------|---|
| AE-DL-SF-04-09-TRIAC-P2750-XX | | Zone | Lumens | % Fixture | Direct Light  |
| Wattage | 9W | 0-20° | 111.80 | 13.50 | |
| CCT | 5000K | 0-30° | 236.19 | 28.40 | |
| Distribution | 120° | 0-40° | 383.61 | 46.20 | |
| | | 0-60° | 662.57 | 79.70 | |
| | | 0-80° | 810.94 | 97.60 | |
| | | 0-90° | 822.48 | 99.00 | |

OVERVIEW



Innovative Design

- The Slim recessed downlight has a full thickness of just 1" allowing it to be used in a variety of application where fixture size and weight plays a decisive role.



Accessories

- New construction frame kit.
- Emergency back up battery.



Multiple Options

- 2 sizes 4" and 6"
- 5 CCT switchable from 2700K to 5000K.
- Black (for 4") or white trim finish



Mountings Available

Durable stainless steel spring action housing clips for retrofit installations or purchase with the new construction frame kit for new constructions.



Fire Rated

The fixture's housing expands when exposed to heat, preventing fire to expand throughout the ceiling. It lasts for 120 minutes.



2 HOUR FIRE RATING
Tested to comply with UL 263
ASTME 119 & CAN ULC S101



Tests And Certifications

